

# BACKRACK™

FUNCTION AND STYLE FOR TODAY'S TRUCKS

INSTALLATION INSTRUCTIONS : BED COVER ADAPTER #INST212

#50112 FORD 2004-2014 F-150, 5-1/2, 6-1/2 and 8 ft STEEL BODY Box, MAX BED COVER WIDTH 69.5"

## READ THIS NOW!

Your truck should look like the one shown. If you think you are missing any parts, think that this part number is not for your truck or have any installation question, call our customer service department at toll free:

**800-265-8137** or locally **905 849-3633**.

Other ways to reach BACKRACK:

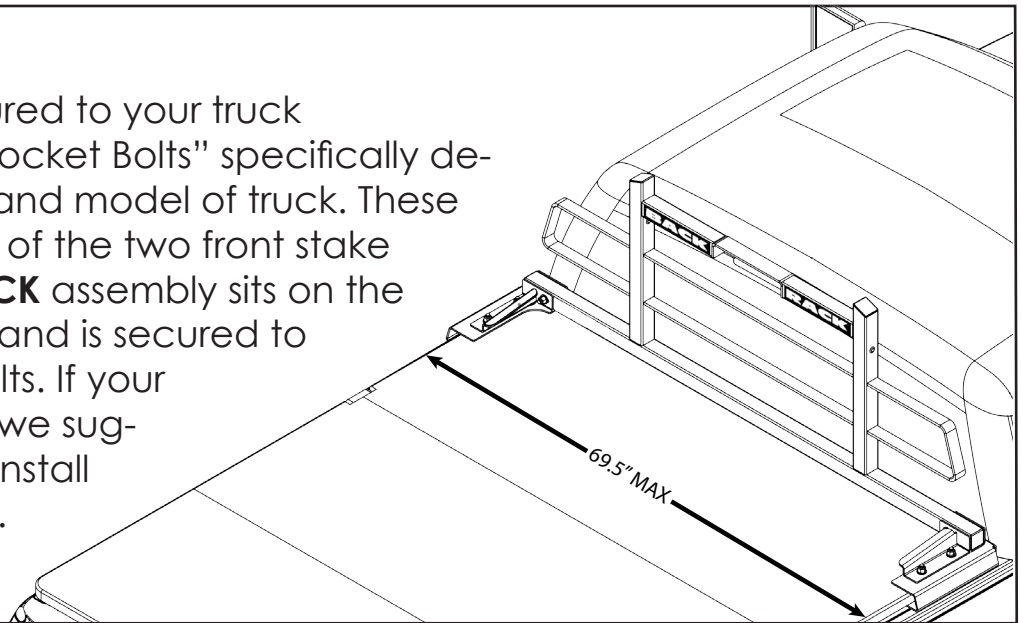
Fax **905-849-4116**

email: [techsupport@backrack.ca](mailto:techsupport@backrack.ca)



## IMPORTANT!

The **BACKRACK** is secured to your truck with a pair of "Stake Pocket Bolts" specifically designed for your make and model of truck. These bolts mount into each of the two front stake pockets. The **BACKRACK** assembly sits on the bed rails of your truck and is secured to these Stake Pocket Bolts. If your truck has a BED-LINER we suggest you remove it to install the Stake Pocket Bolts.



## READ THIS BEFORE INSTALLATION !

Backrack Inc is not affiliated with any Tonneau manufacturers products that are used in conjunction with Backrack products. Backrack Inc assumes no responsibility for any warranty offered by the Tonneau manufacturer and is not responsible in any way for any warranty claims or damages that may be made in relation to the Tonneau Cover. The Tonneau Cover manufacturer will have supplied a strap or fastening device designed to secure the cover in place when the cover is in an open position. Failure to secure the cover can result in personal injury or damage. Backrack Inc has supplied a strap that is enclosed in this package. In the event that the strap or fastening device clip that was supplied with your Tonneau Cover is impeded or, in any way insufficient in its ability to secure the Tonneau in an open position after the installation of our Backrack products, it is solely your responsibility to attach the strap that is supplied in this package for the purpose of securing the Tonneau Cover in an open position. The enclosed strap provides sufficient length to loop around the Backrack Cab Guard Frame and latch the Tonneau Cover securely and safely. You may be required to remove the Tonneau manufacturers supplied strap and replace it with the supplied longer strap. It is solely your responsibility to ensure that the strap is secured sufficiently and safely. Backrack Inc is not responsible for any harm, damage, injury or claim that may result from this installation. By installing this product on your truck you assume complete responsibility for it's safe installation and forfeit Backrack Inc from any liability claim or damages.

**FOR MORE INFORMATION SCAN HERE!**

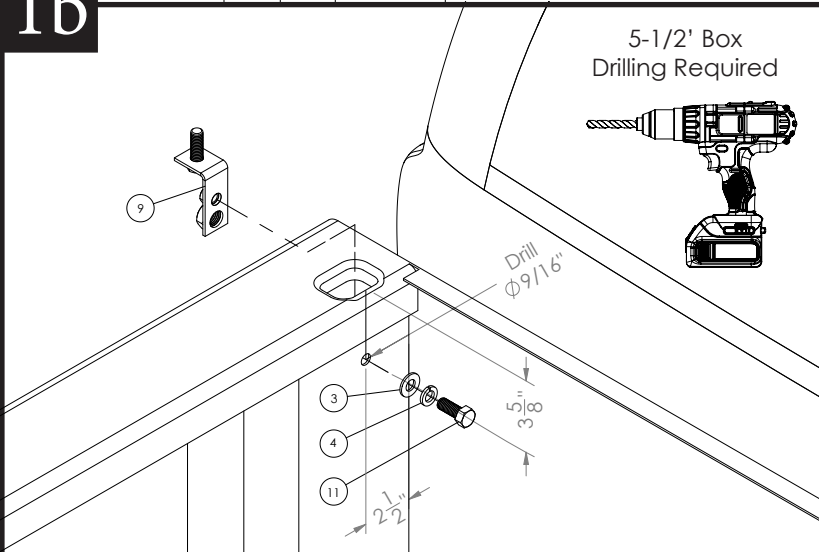
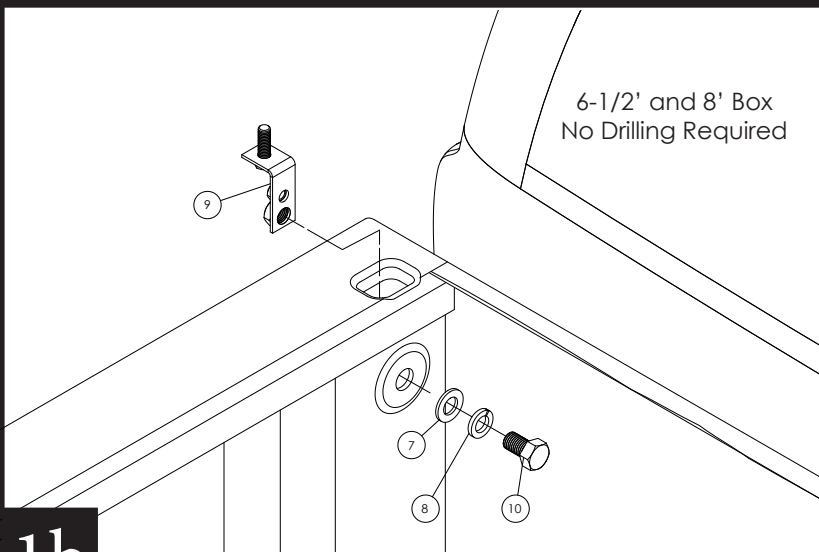
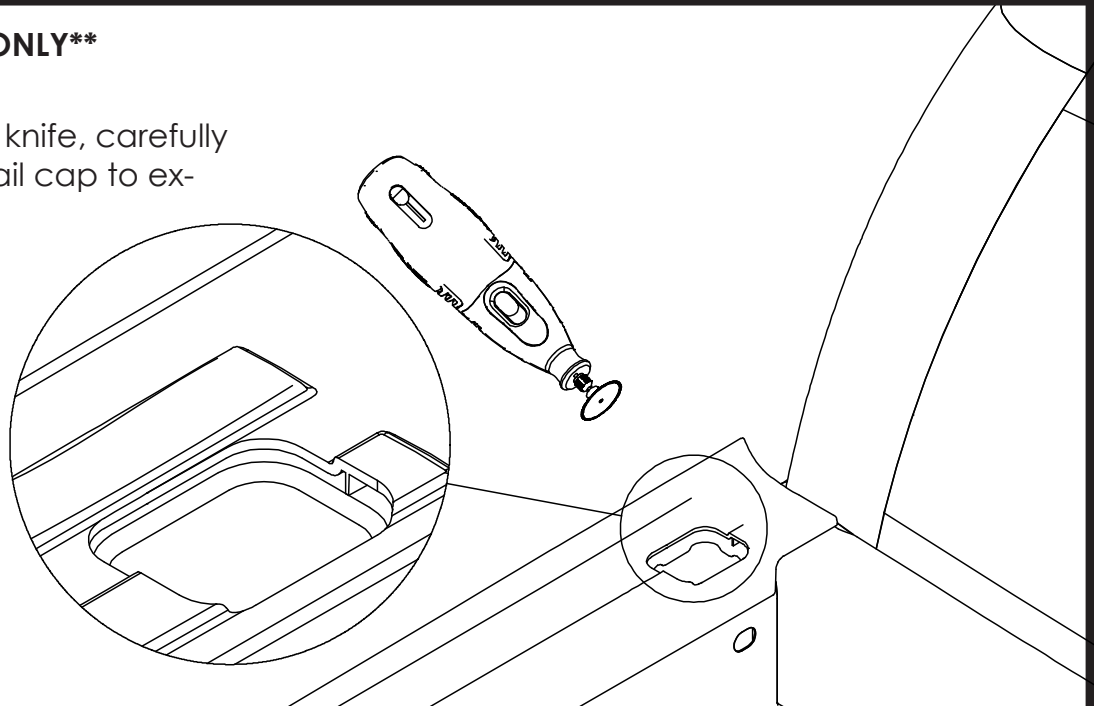


# BACKRACK™

FUNCTION AND STYLE FOR TODAY'S TRUCKS

## 1a \*\*FOR 5-1/2 ft BOX ONLY\*\*

Using a rotary tool or sharp knife, carefully cut driver and passenger rail cap to expose stake pocket



### Non-Drill (6-1/2' and 8' Bed)

- Insert stake pocket bolt #9
- Thread finger tight bolt #10 with washer #7 and Lock washer #8 as shown.

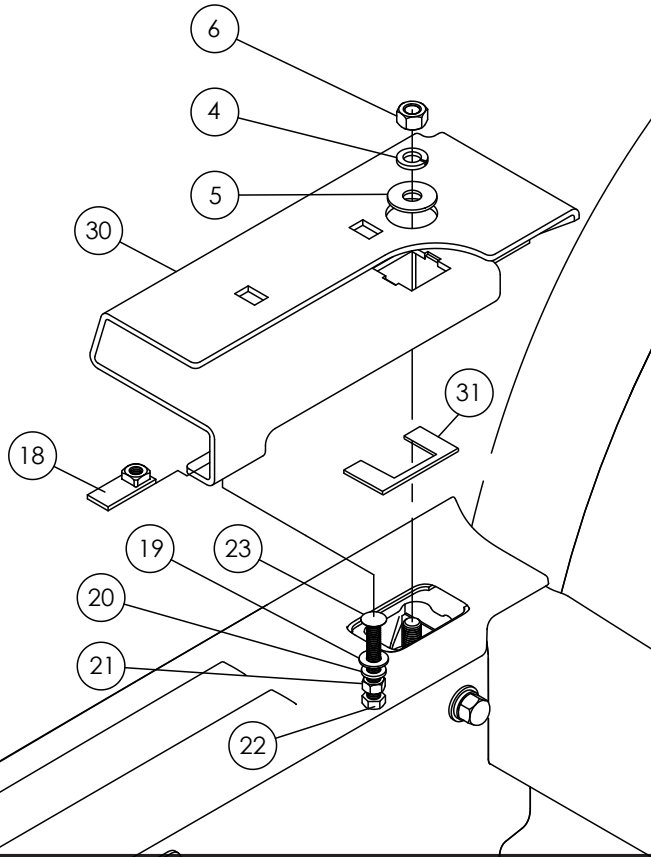
### Drill Instruction (5-1/2' Bed)

- Using a tape measure and a marker, Measure and mark position as shown in diagram. Hole should be centered on the stake pocket approx 2-1/2" and 3-5/8" from the rail down. Drill 9/16" hole.
- Insert stake pocket bolt #9
- Thread finger tight bolt #11 with washer #4 and Lock washer #3 as shown.

# BACKRACK™

FUNCTION AND STYLE FOR TODAY'S TRUCKS

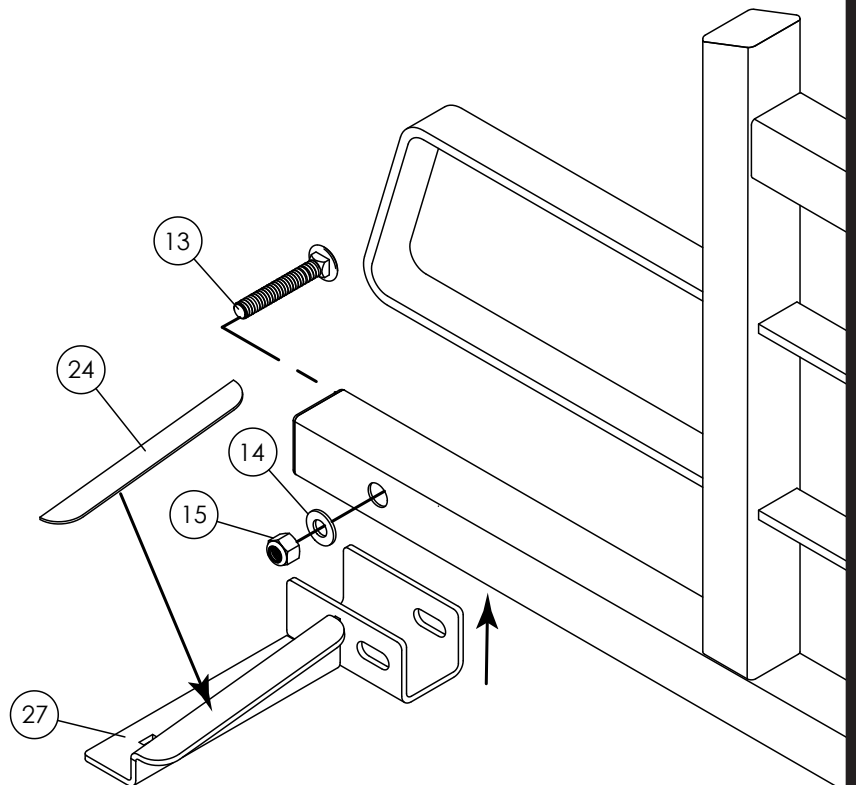
2



- Install tonneau adapter bracket #30
- Place weld nut assembly #18 into position under bed
- Loosely thread in rear bolt with washers #20 and #19 and jam nut #21.
- Place washer #5, lock washer #4, and thread nut #6 into stake pocket hole.
- Position bracket forward and against inside rail.
- Tighten nut #6 and tighten bolt #22
- Snug jam nut #21 to secure rear bolt.

3

- Install adhesive rubber strips on driver side bracket #27 and passenger side bracket #28
- Install brackets #27, 28\* (\*passenger side) onto BACKRACK.
- Insert bolts #13 **\*\*IMPORTANT: install bolts as shown to avoid damage to truck cab, rounded head towards window, threads to the rear of truck\*\***
- Install washer #14 and lock nut #15 **\*\*IMPORTANT: the main BACKRACK mount bolt (#13) is a fine threaded bolt, ensure that the nut threads easily\*\***. Leave loose, finished torque will apply in final step.



# BACKRACK™

FUNCTION AND STYLE FOR TODAY'S TRUCKS

4

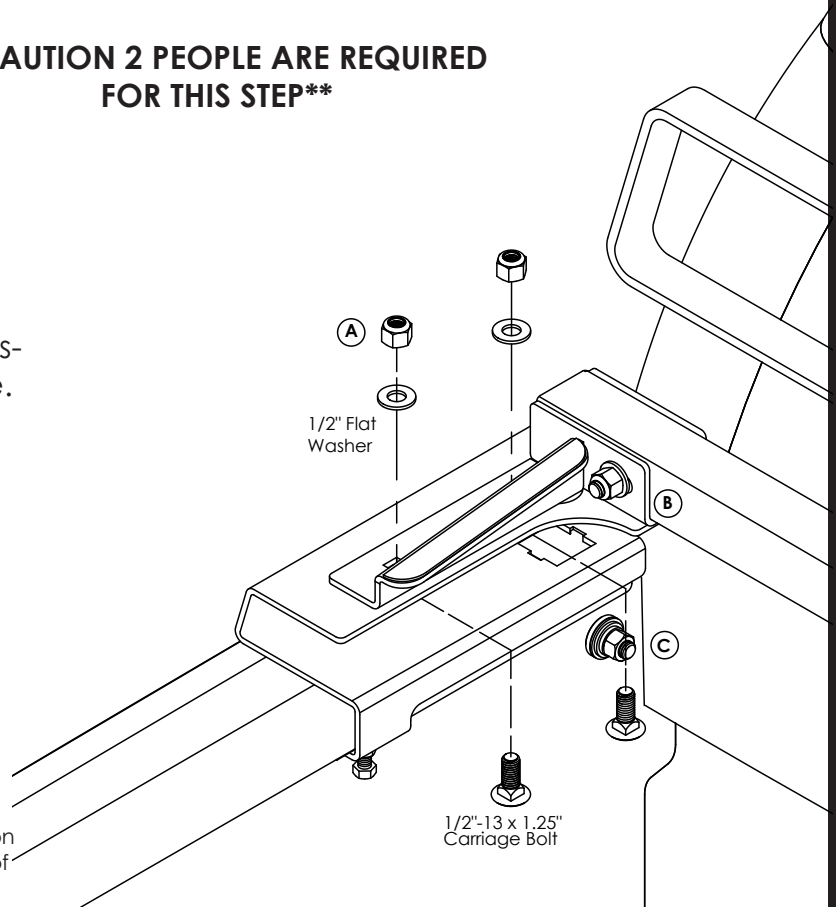


**\*\*CAUTION 2 PEOPLE ARE REQUIRED FOR THIS STEP\*\***

- Place BACKRACK assembly from step 3 onto brackets (two people required for lift and positioning)
- Center **BACKRACK** assembly on truck, using top rear brake light as a visual guide.
- Install (4x) 1/2"-13 x 1.25" as shown.
- Snug down all nuts to bolts.
- Final torque nuts **A** (4x) to 70 ft/lbs.
- Final torque nut **B** (2x) to 60 ft/lbs.
- Final torque nut **C** (2x) to 30 ft/lbs. (Until lock washer flat)

**IMPORTANT:** ON A MONTHLY BASIS CHECK ALL FASTENERS FOR CORRECT TORQUE

Please Note: Stake pocket bolts may not be exactly as shown on this instruction, depending on the year make and model of your truck.



**\*\*Use supplied strap only when the original bed cover manufacture strap will not work**

**Cover must be secured in the open position in order to prevent wind damage to vehicle and or cover. Use of this alternate strap may void the warranty from the cover manufacturer. Check with cover supplier for further information\*\***

- Loop strap around bottom tube of BACKRACK.
- Snug strap using strap slide.
- Feed strap through existing strap loop on your bed cover.
- Feed Strap trough quick tight buckle and tighten.

### OPTIONAL REAR CLIP:

In some bed cover applications, the optional rear clip is required. To determine if the rear clip is required for your application, measure the mount point on your cover to ensure you will be able to clamp without interfering with the adapter bracket assembly.

