

FIG 1.1

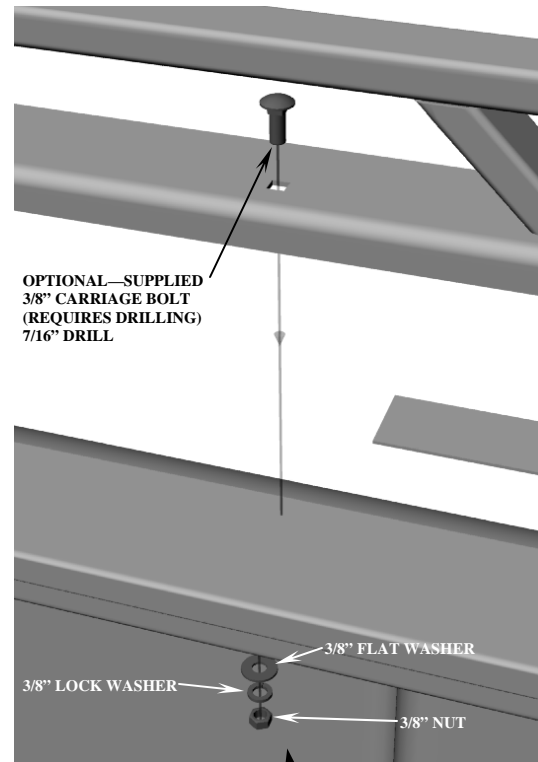


FIG 1.2

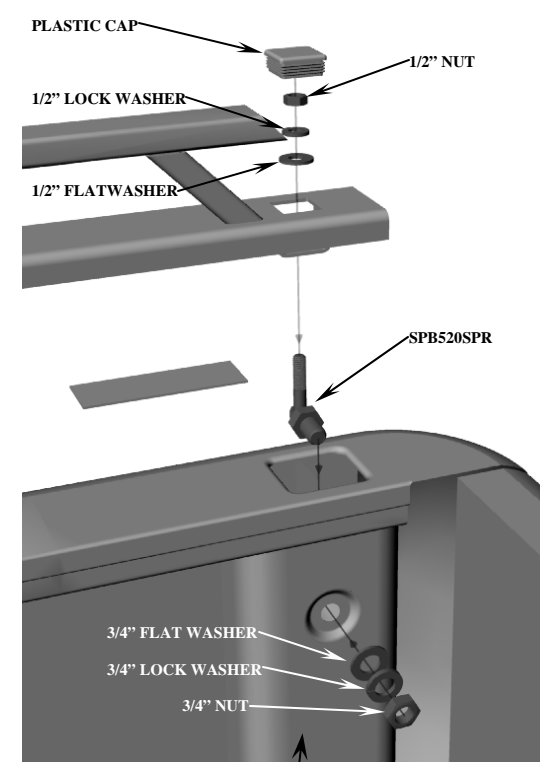


FIG 1.3

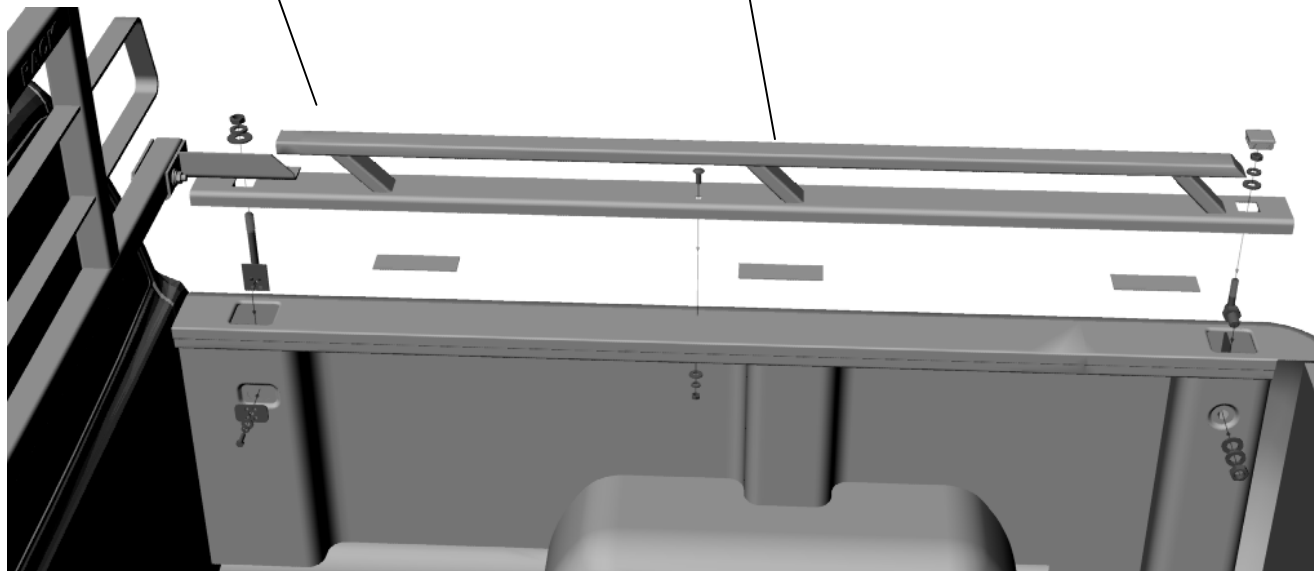


FIG 1.0

BACKRACK™