

TRIFECTA 2.0

TRIFECTA 2.0 TOOLBOX INSTALLATION SHEET

Any damaged or missing parts?

Parts will be shipped to you directly.

Call 800-877-2588, Mon - Fri, 8:30 a.m. - 6:00 p.m. EST



PARTS INCLUDED IN YOUR KIT

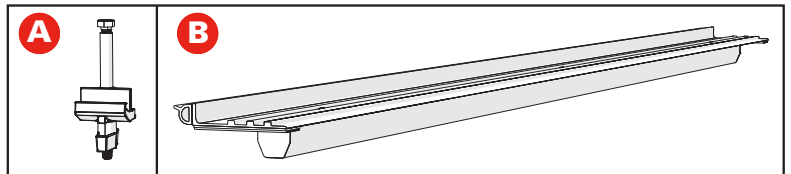
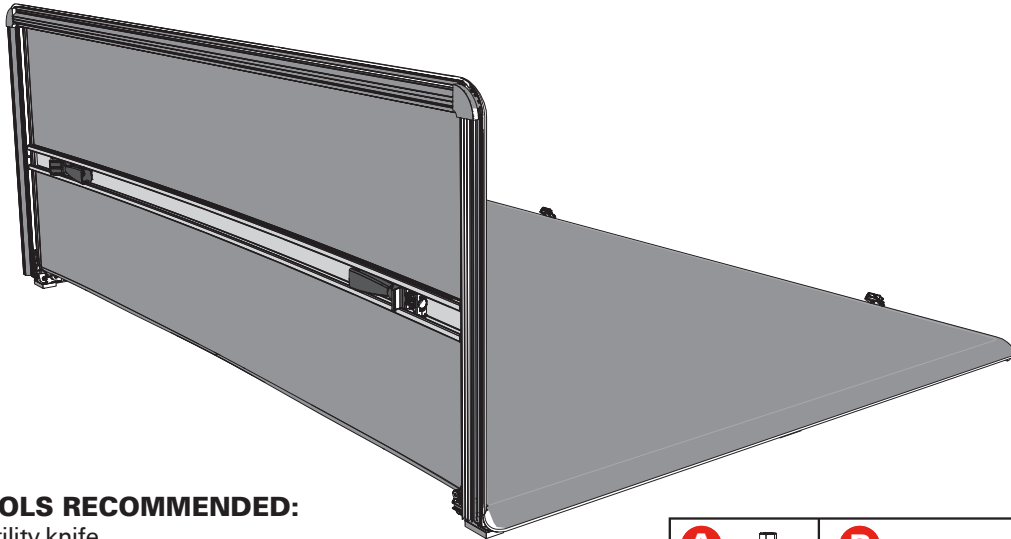
A 2x L-channel clamps

B 1x L-channel rail

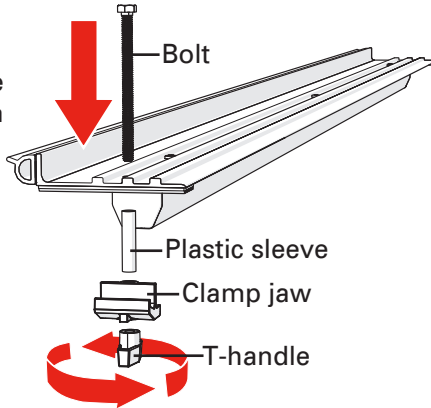
TOOLS RECOMMENDED:

- Utility knife

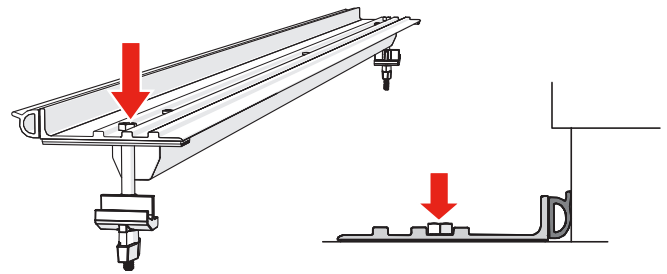
NOTE: It is important that all areas where the bed cover mounts are clean and free of debris prior to installing.



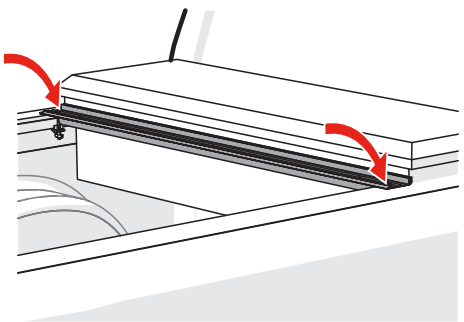
1 Assemble the L-channel clamp (A) as shown, insert the bolt through the hole in the top of the L-channel rail (B), through the plastic sleeve, through the clamp jaw and threaded into the T-handle from the bottom of L-channel rail (B).



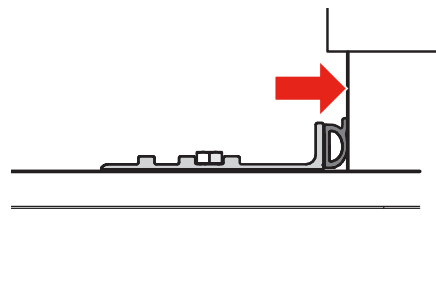
2 Install a L-channel clamp (A) assembly onto both sides of the L-channel rail (B). Note that the head of the bolt will sit in between the L-channel ribs.



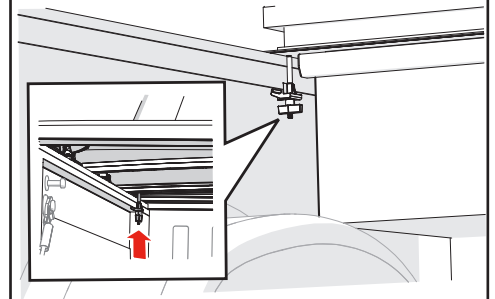
3 Place the assembled L-channel rail (B) onto the truck bed.



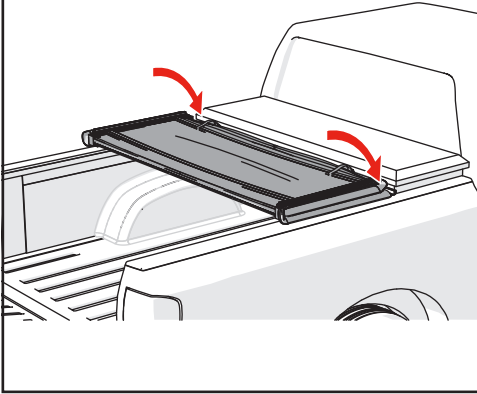
4 Push the L-channel rail (B) assembly tight up against the toolbox.



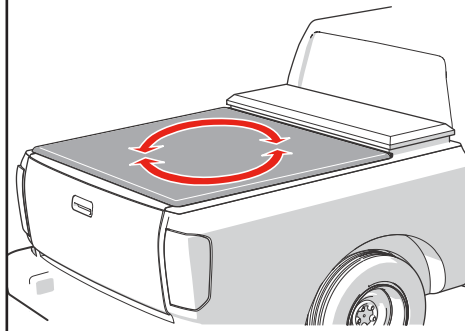
5 Both L-channel clamps (A) need to be tightened before placing truck bed cover on truck.



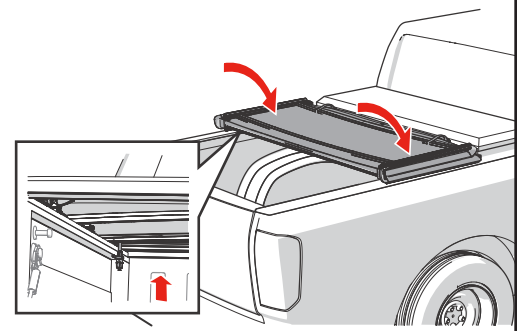
6 Place the folded truck bed cover onto the L-channel rail (B).



7 Unfold the cover fully and adjust the position over the truck bed for proper cab and tail alignment. **Note the position of the clamps for the following steps.**

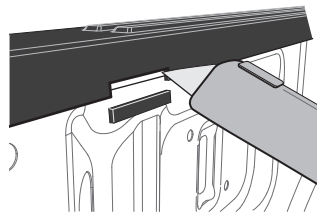
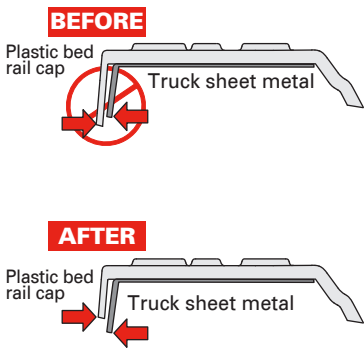


Then carefully re-fold the cover without shifting its position on the truck bed.



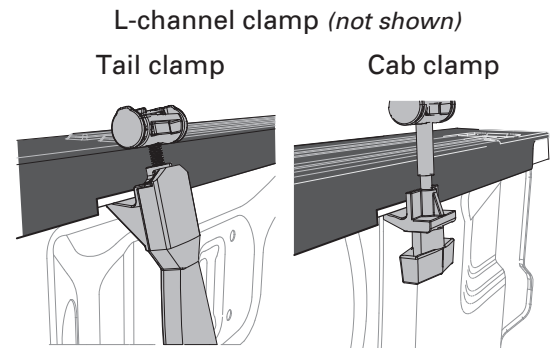
8 STOP If your truck has a plastic bed rail cap that extends below the truck sheet metal bed flange, you **MUST** remove enough of the plastic so that the clamps make solid contact with the truck's sheet metal.

This is commonly found on 04-14 & 21 Ford F150s and 09-19 RAMs, but your specific vehicle should be inspected carefully to ensure a proper installation.



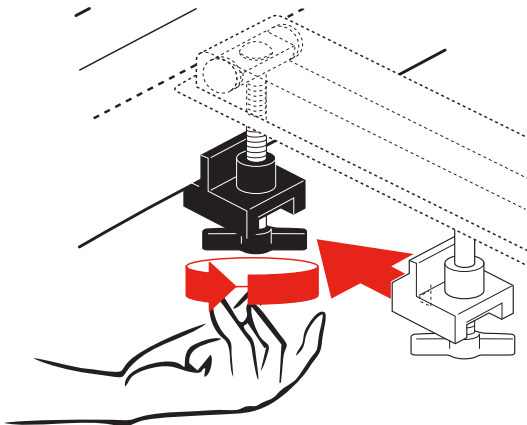
Trim the plastic high enough to expose the truck metal, and wide enough to accommodate the clamp.

Do NOT cut into or scrape the truck bed.

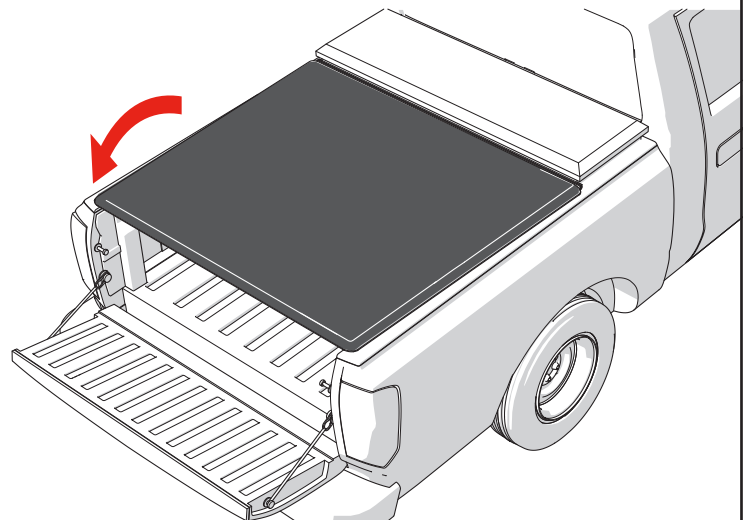


Check all 6 clamps (L-channel, cab and tail) to make sure there is solid contact with the truck's sheet metal after trimming.

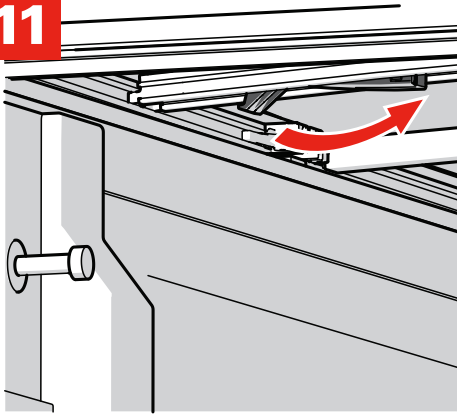
9 Ensure that the clamp is positioned under the metal flange. Hand tighten until clamp contacts the flange, then tighten an additional two turns. Do NOT secure to only the lip of the bedliner or the plastic bed cap. **Do NOT use a wrench or overtighten!**



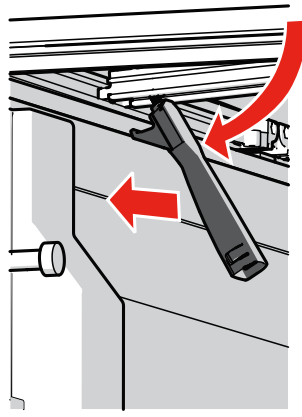
10 With the tailgate open and the front (cab) clamps secure, completely close the cover



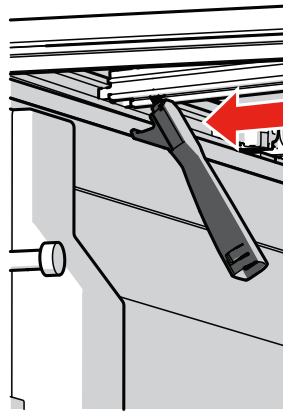
11



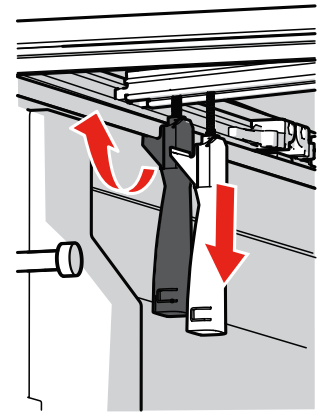
The rear (tail) clamps are stowed in the cover rail.



Rotate the clamp down and slide it to the truck bed rail.



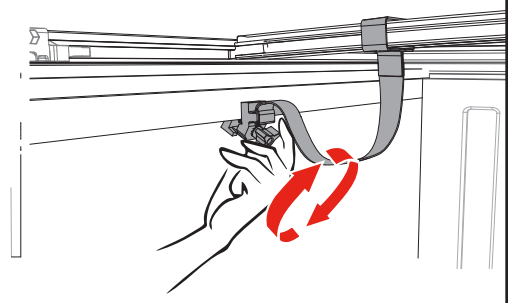
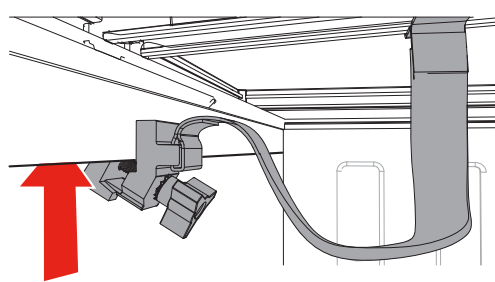
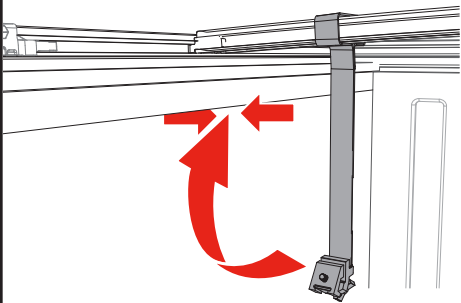
The clamps should be slid, at a slight angle, as far over to the rail as possible.



Pull the clamps straight down and release them to hook under the bottom of the metal truck bed rail flange. Always latch the clamps on both sides of the bed.

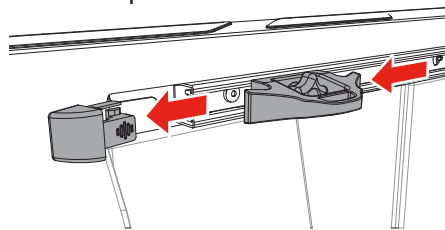
12A Truck beds with metal flanges (without cargo rails)

Open the cover. The tethers are attached to the cover bow. Attach the clamp to the metal flange of the truck bed rail and tighten the knob. Do this for both the driver and passenger side.

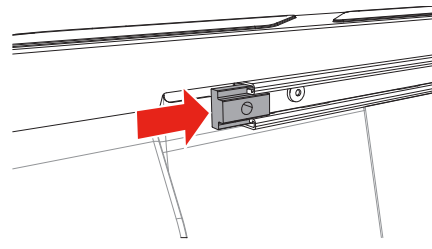


12B Truck beds with factory cargo rails

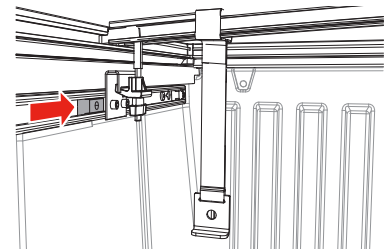
Open the cover.



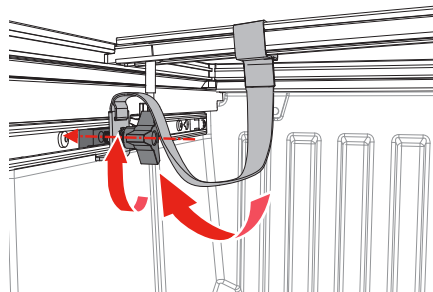
Remove the cargo rail end cap and any tie-down cleats.



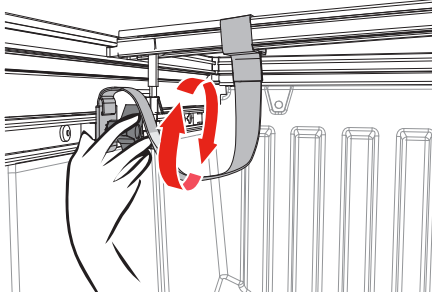
Insert the provided slide block into the cargo rail.



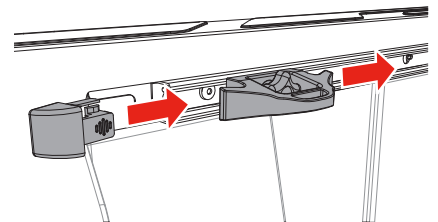
Move the slide block forward to the front bow of the cover.



Thread the tether knob through the lock washer, through the tether bracket and into the slide block.



Tighten the knob. Do these steps for both the driver and passenger sides.

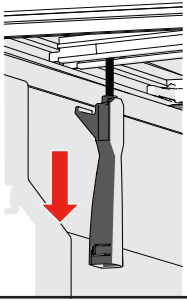


Reinstall any tie-down cleats and the end cap on both sides of the truck.

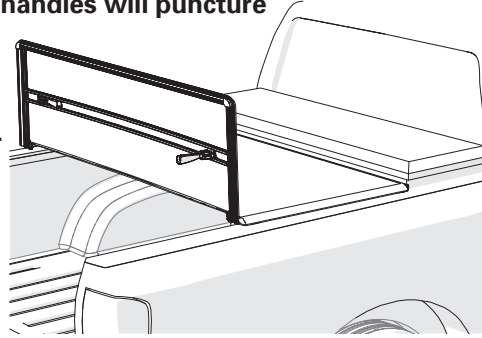


DRIVING WITH THE TONNEAU OPEN

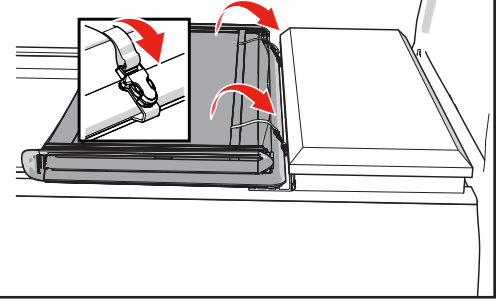
Release the rear clamps and fold the cover forward.



IMPORTANT: Before folding the second section of the cover, the rear clamps must be stowed into the rail to prevent damage to the fabric. **Failure to stow the handles will puncture the tarp and void the warranty.**



Fold the cover forward and fasten the straps to the front rail. Check that the straps are tight.



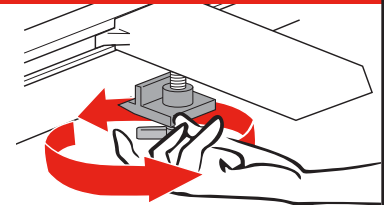
IMPORTANT

Re-tighten the front/cab clamps and tethers after the first week of driving the vehicle. Also periodically check the clamps and tethers to ensure they are secure.

Closed/Extended Position – Bed cover must be completely secured by all four (4) clamps.

Open/Folded Position – Bed cover must be completely folded up (all panels) and secured at the cab with the provided buckles straps and with both tethers attached.

Do NOT drive with the bed cover in a partially open position.



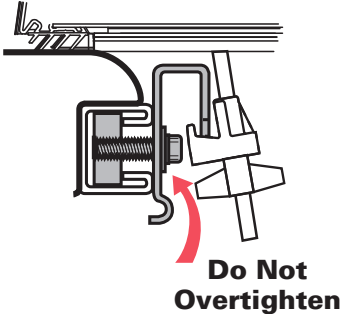
Do NOT allow the vehicle to be towed backwards without first removing the cover from the vehicle.



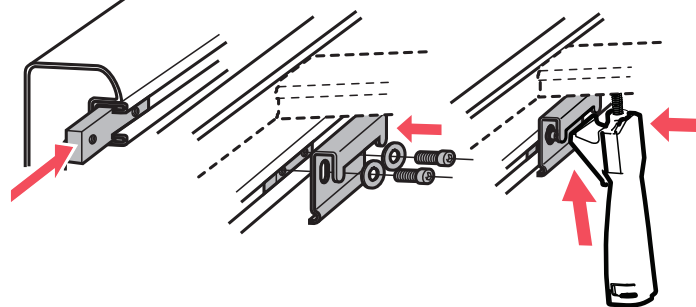
Remove any snow or foreign matter before folding the bed cover.

BRACKET KIT INSTALLATION - CARGO MANAGEMENT EQUIPPED TRUCKS

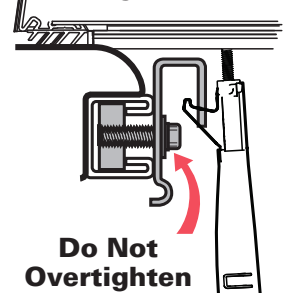
Cab Clamp



Add the clamp plate, washers and screws as shown.

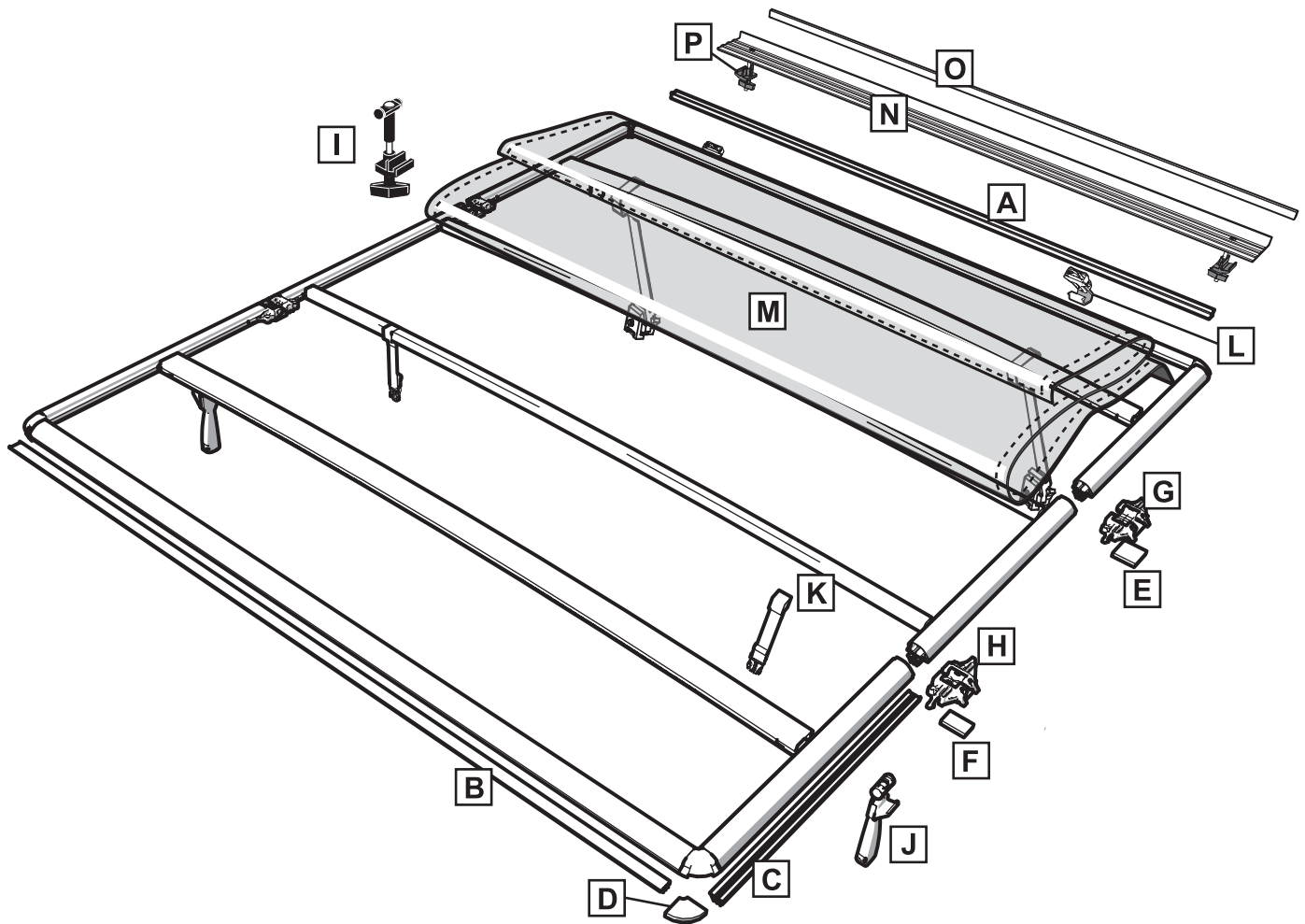


Tailgate Clamp



REPLACEMENT PARTS

Replacement parts can be ordered online at extang.com/replacement-parts or you can contact our Customer Service Department for assistance. When ordering, xxx represents the 3 digit suffix, as referenced on the sales receipt or vehicle application list.



| Call Out | Title | Part Number | Description | Application | Qty |
|----------|-------------------------|-------------|---|--|-----|
| A | Cab Seal | 32002112 | Single length seal (6'), hollow seal, cut to fit | Most vehicles | 1 |
| B | Tail Seal | 32562569 | Single length seal, (69"), 2-fin seal, cut to fit | | 1 |
| B | Tail Seal | 32563200 | Single length seal, (68"), 4-fin seal, cut to fit | Most vehicles | 1 |
| B | Tail Seal | 32002119 | Single length seal, (68"), 4-fin seal, cut to fit | 2021+ F150, Super Duty | 1 |
| C | Side Seal | 32000685 | Single length (68") Riser Side Seal, one length will fit two panel sides, cut to fit (there are 6 sides per cover). Two seals for 6' beds, three for longer beds. | Most vehicles | 1 |
| C | Side Seal | 32560368 | Single length (68") 3-fin Side Seal, one length will fit 2 panel sides, cut to fit, (there are 6 sides per cover). Two seals for 6' beds, three for longer beds. | Most vehicles | 1 |
| D | Corner Seal | 92xxx-19 | Measure for thickness- 0.375", 0.5", 0.75" | Call Customer Service with xxx suffix referenced per vehicle | 1 |
| D | Corner Seal | 93xxx-19 | Measure for thickness- 0.375", 0.5", 0.75" | Call Customer Service with xxx suffix referenced per vehicle | 1 |
| D | Corner Seal | 94xxx-19 | Measure for thickness- 0.375", 0.5", 0.75" | Call Customer Service with xxx suffix referenced per vehicle | 1 |
| E | Cab Hinge Seal | 32920104 | Seal only, 0.25" Large Hinge Pad | Measure thickness or call Customer Service with xxx suffix reference | 1 |
| E | Cab Hinge Seal | 32440401 | Seal only, 0.375" Large Hinge Pad | Measure thickness or call Customer Service with xxx suffix reference | 1 |
| F | Tailgate Hinge Seal | 32920102 | Seal only, 0.25" Small Hinge Pad | Measure thickness or call Customer Service with xxx suffix reference | 1 |
| F | Tailgate Hinge Seal | 32440402 | Seal only, 0.375" Small Hinge Pad | Measure thickness or call Customer Service with xxx suffix reference | 1 |
| G | Cab Hinge Assembly | 31442015 | Seal not included, see item Cab Hinge Seal (E) | Most vehicles | 1 |
| H | Tailgate Hinge Assembly | 31442005 | Seal not included, see item Tailgate Hinge Seal (F) | Most vehicles | 1 |
| I | Cab Clamp Assembly | 1034 | Single clamp for the cab side | Most vehicles | 1 |
| J | Tail Clamp | 31003005 | Single EZ Lock Clamp for the tailgate side | Most Vehicles | 1 |
| K | Tie Down Strap | 54440400 | (Short) Tie Down Strap, w/Male Buckle- fits 4 bow bed cover systems | Most Vehicles | 1 |
| K | Tie Down Strap | 54720400 | (Long) Tie Down Strap, w/Male Buckle- fits 3 bow bed cover systems | Most vehicles | 1 |
| L | Buckle Assembly | 31920120 | Single Buckle assembly, w/Female Buckle | Most vehicles | 1 |
| M | Tarp | 93xxx-20 | Vinyl tarp only, Trifecta 2.0 vinyl | Call Customer Service with xxx suffix referenced per vehicle | 1 |
| N | L-channel | 21000xxx | L-channel only, see below for seal and clamp | Call Customer Service with xxx suffix referenced per vehicle | 1 |
| O | D-seal | 32440500 | Seal for the L-channel | Most vehicles | 1 |
| P | L-channel Clamp | 1067 | Clamp for the L-channel only, not the bed cover | Most vehicles | 1 |



LIMITED LIFETIME WARRANTY

The cover, including as applicable any hardware kit (e.g., rails, clamps, and bows) and fabric, carries a limited lifetime warranty. This limited warranty is subject to the following terms:

WARRANTY COVERAGE

This tonneau cover is warranted against defects in materials or workmanship. This warranty is void if the product has been damaged in an accident, or due to neglect, unforeseeable use, improper installation, improper servicing, or other cause not arising out of defects in material or workmanship.

WARRANTY IS NOT TRANSFERABLE

The warranty is to the initial consumer purchasing the tonneau cover and it is not transferrable to a subsequent end user. Proof of purchase may be required to enforce the warranty rights.

WARRANTY CONDITIONS

Failure to follow these warnings and care instructions will void the warranty:

- Clean with mild automotive soap and water only.
- Do not use conditioners that contain silicone or petroleum (e.g., Armor All®).
- Tonneau cover must be secured at all points when vehicle is in motion. When not fully extended, cover must be completely folded up and secured at the cab with the provided buckle straps and tethers attached. Do NOT drive with the bed cover in a partially open position..
- Check front/cab clamps and retention mechanisms for tightness after a week of driving following installation (or re-installation) of the cover and periodically thereafter.
- Before opening, cover must be free of all foreign materials including snow and ice.
- To avoid potential damage to the cover, panel clamps/latches must be in their stored positions prior to opening/folding the panel.
- Do NOT tow your vehicle from the rear with the cover on your vehicle. If towing from the rear is required, the cover MUST be removed from the vehicle and properly stored.

WARRANTY PERFORMANCE

If all warranty conditions are met, a defective tonneau cover, tarp, or hardware component will either be repaired or replaced (at our option). We reserve the right, for any warranted return, to substitute a newer model of tonneau cover having similar form and function, to offer a warranty discount on an entire replacement system, and/or provide remedies other than those mentioned in this document.

WARRANTY PROCESS

A Return Authorization number must be obtained from our Customer Service Department prior to returning any product. We may require the original item to be returned postage prepaid for final determination. Shipping charges will apply for any repair or replacement. Other than postage or shipping charges, no charge will be made for repair or replacement under this warranty.

This warranty gives you specific legal rights. As a consumer, you may also have additional rights and remedies under the laws of your state.



SOMETHING DAMAGED? MISSING PARTS?

CALL US FIRST
800-877-2588

WE CAN HELP YOU QUICKLY AND EASILY OVER THE PHONE

Experienced Customer Service staff are available
to answer all your truck bed cover questions

CUSTOMER SERVICE HOURS

8:30 a.m. TO 6:00 p.m. EST, MONDAY - FRIDAY

Truck bed cover model: _____

Purchase date: _____

Lot code: _____

Lot code can be found on the underside of cover.

