

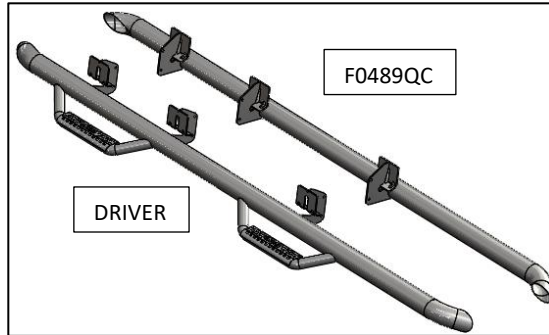
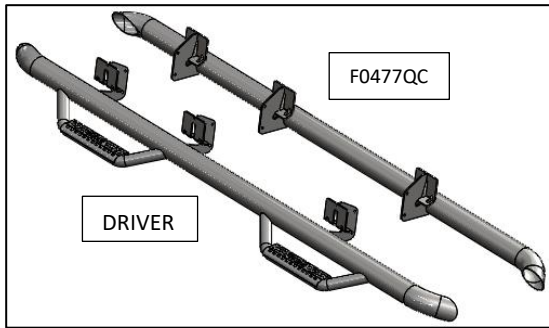
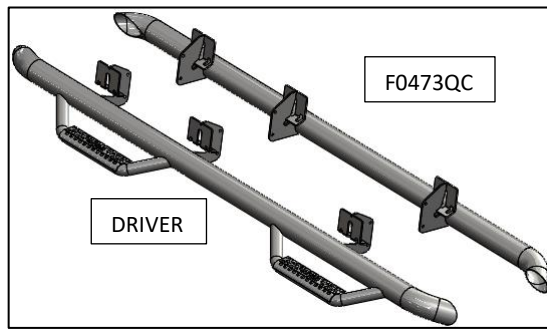
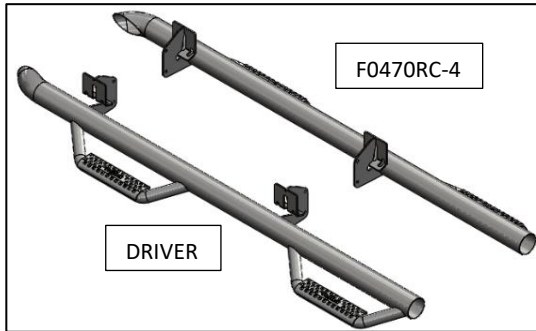
HARDWARE DESCRIPTION		QTY.
HWKT- 05307X		
CARB-00680X	3/8"-16 X 1-1/2" GRADE 5 CARRIAGE BOLT	12
HXNT-00717X	3/8"-16 HEX NUT	12
FLTW-00663X	3/8" USS FLAT WASHER	12

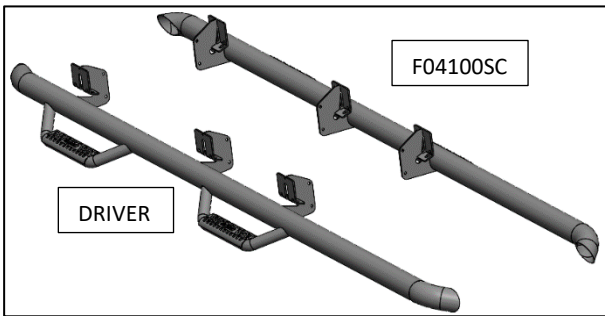
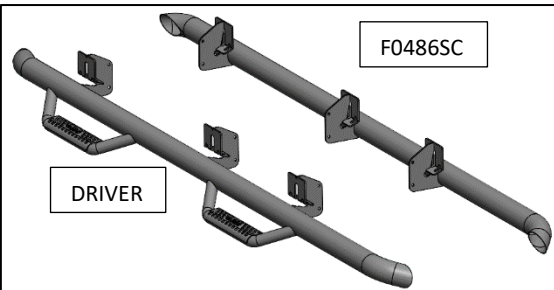
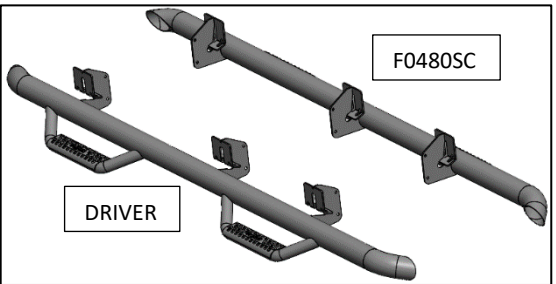
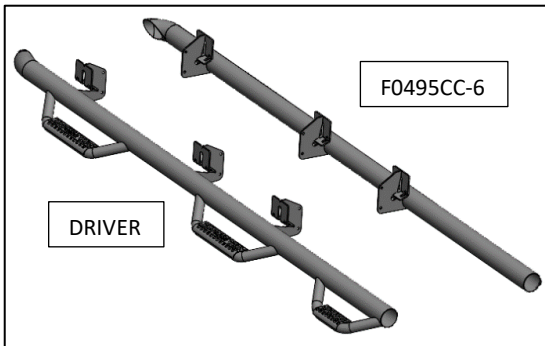
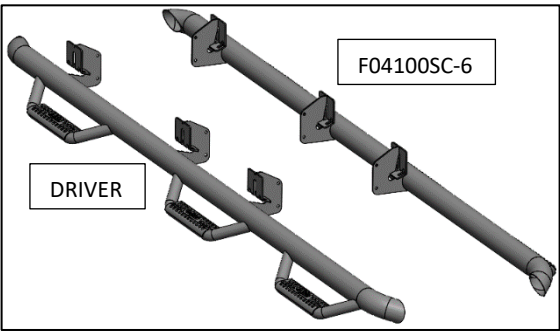
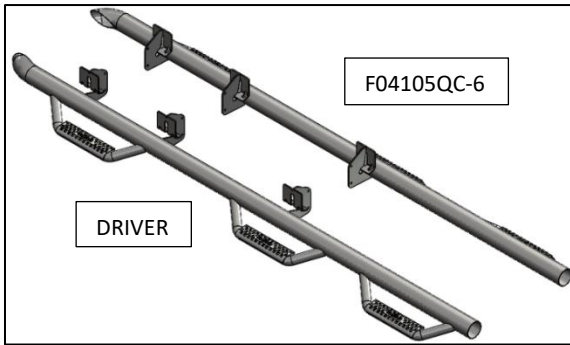
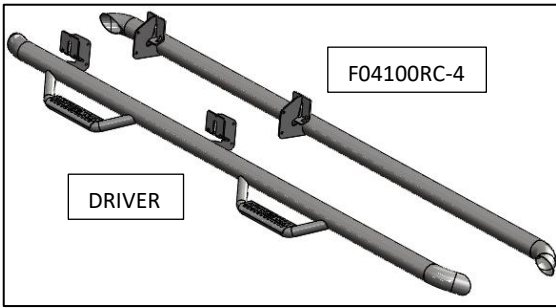
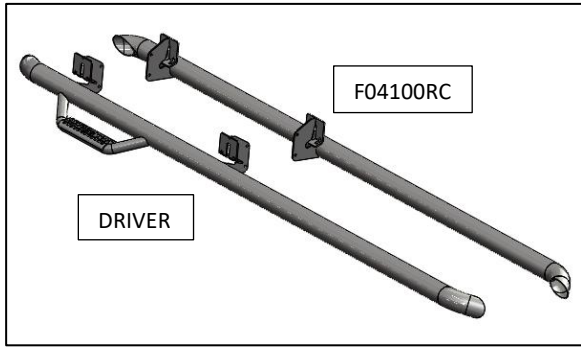
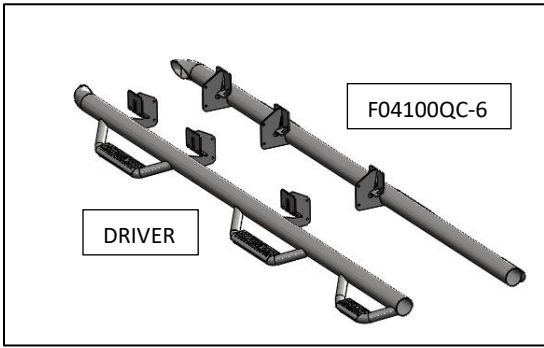


PARTS INCLUDED	QTY.
DRIVER SIDE	1
PASSENGER SIDE	1

N-FAB NERF STEP SYSTEM

STEP 1: Identify driver side step.





Step 2: Install nerf-step with the mounting bracket on top of the pinch weld aligning with the factory holes.

Step 3: Install the supplied 3/8"x3/4" carriage bolts, 3/8" washer and 3/8" nuts in each mounting location with the bolt starting from the under-side and hand tighten.



Step 4: After final adjustment, tighten all hardware to 17-20 ft./lbs. of torque.

Step 5: Repeat with passenger side.