



1-877-287-8634

INSTALLATION INSTRUCTIONS

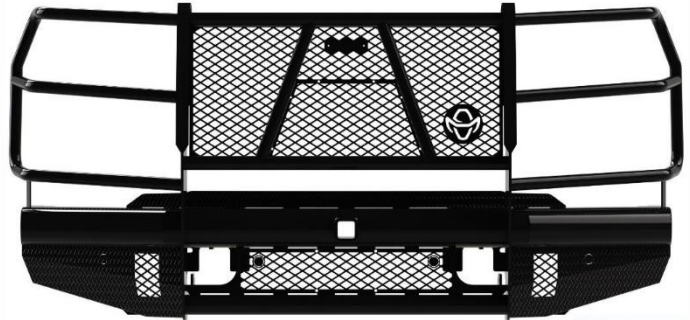
IMPORTANT NOTICE: Be sure to inspect and test fit product before having it coated or painted. Ranch Hand will not be responsible for the cost of the coating if any problems with fit or finish are not noted and addressed beforehand.

2024-up CHEVY 2500HD/3500HD FRONT BUMPER REPLACEMENTS

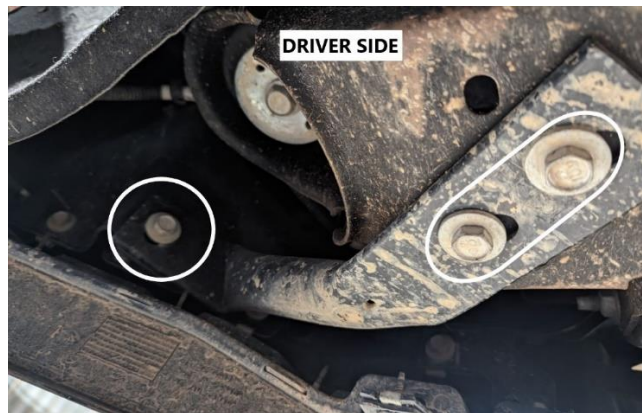
PART #s FBC241BLR

TOOLS REQUIRED

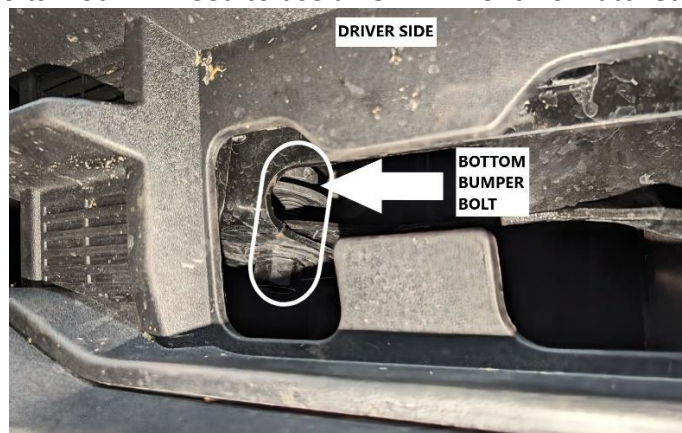
- Ratchet and extension
- 7/16", 3/4" sockets and/or wrenches
- 10, 15, 18mm sockets and/or wrenches
- 18mm ratchet wrench(optional)
- 5/32" Allen wrench
- Flat and/or Phillips screwdriver
- Utility knife



1. Remove the bumper side brackets. There will be two 15mm bolts to the frame and one 15mm to the bumper on each side.



2. Remove the tow hooks by removing the two 18mm bolts. Two on each side. This will allow to reach the bottom bumper bolts. You will need to use a 18mm wrench or ratchet wrench(preferred).



----- WARNING -----

Special care should be exercised in the handling, storage and installation of Ranch Hand equipment. The actual weight of each piece of equipment will vary depending on style and model. The weight of the equipment is sufficient in volume to warrant special care, assistance and in some instances, the use of mechanical equipment during the transfer and installation of the equipment. Do not assume a position directly under the equipment during installation. Be sure the equipment has been connected and stabilized during installation to prevent falling or shifting of positions. Periodically check tightness of bolts to make sure they are tight, and unlikely to fail.

Rev. 2024

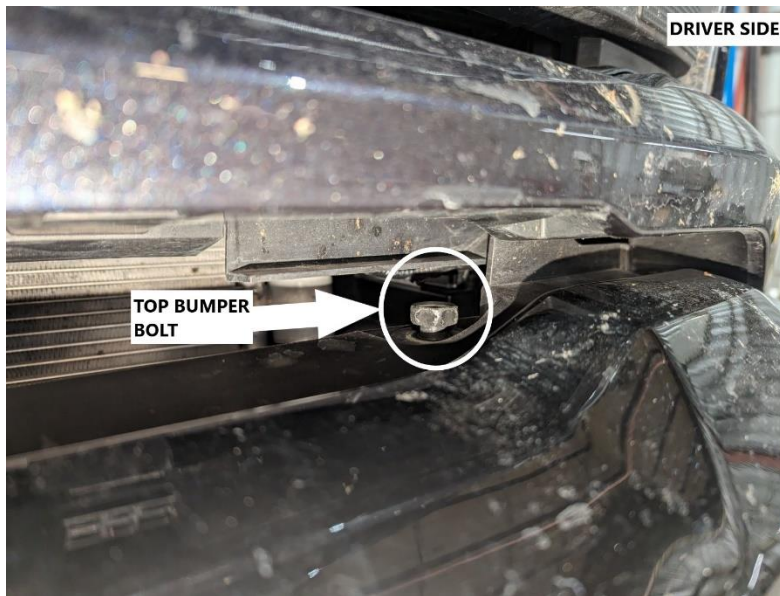


1-877-287-8634

INSTALLATION INSTRUCTIONS

IMPORTANT NOTICE: Be sure to inspect and test fit product before having it coated or painted. Ranch Hand will not be responsible for the cost of the coating if any problems with fit or finish are not noted and addressed beforehand.

3. Remove the bottom bumper bolts.
4. If fog lights and/or sensors are present, unplug the main wiring harness located on the passenger side frame.
5. On diesel models, you will need to unplug the block heater plug located on the driver side frame as well.
6. Remove the top bumper bolts. You can access them from between the grille and bumper opening with a 18mm wrench or ratchet wrench.



7. Remove the bumper.
8. Lay the bumper down then remove the sensor and fog light wiring harness and block heater plug (if present) from the bumper.
9. Unplug and remove the lower louvered air duct panel.



10. Pop out the clips and insert them in the provided brackets.

----- **WARNING** -----

Special care should be exercised in the handling, storage and installation of Ranch Hand equipment. The actual weight of each piece of equipment will vary depending on style and model. The weight of the equipment is sufficient in volume to warrant special care, assistance and in some instances, the use of mechanical equipment during the transfer and installation of the equipment. Do not assume a position directly under the equipment during installation. Be sure the equipment has been connected and stabilized during installation to prevent falling or shifting of positions. Periodically check tightness of bolts to make sure they are tight, and unlikely to fail.



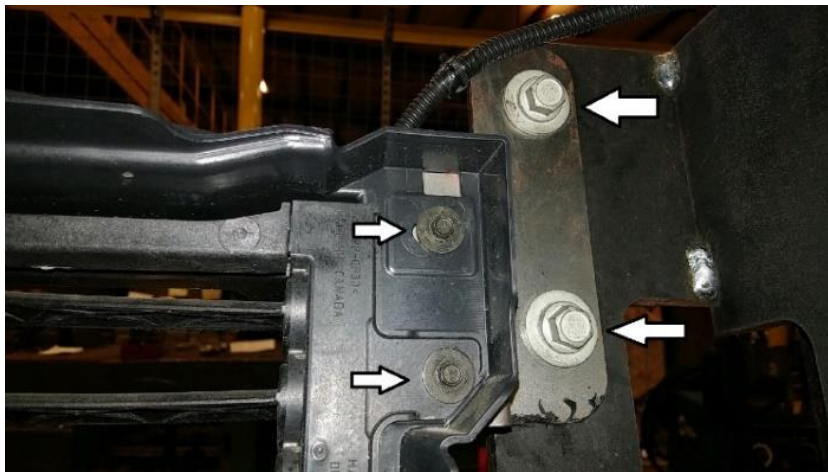
1-877-287-8634

INSTALLATION INSTRUCTIONS

IMPORTANT NOTICE: Be sure to inspect and test fit product before having it coated or painted. Ranch Hand will not be responsible for the cost of the coating if any problems with fit or finish are not noted and addressed beforehand.



11. Remove the two black bumper mounting plate by removing the (4) 15mm bolts. The bolts will be used to install the Ranch Hand Frontend.
12. Mount the frontend to the frame by reusing the 15mm factory bolts. Outside bolts only. Level the frontend and then tighten bolts.
13. Reinstall the tow hooks and install bottom brackets to the outside of the frame. Use the 5" x ½" bolts to install. Use the ½" black carriage bolts to mount the frontend to the bottom brackets.
14. Mount the louvered air duct and brackets to the inside bolts of the replacement bumper.



15. Install the fog lights to the light brackets by using the 3/8" carriage bolts and flange nuts. The light bracket will be mounted to the frontend using ½" carriages bolts, washers, and nuts.

----- WARNING -----

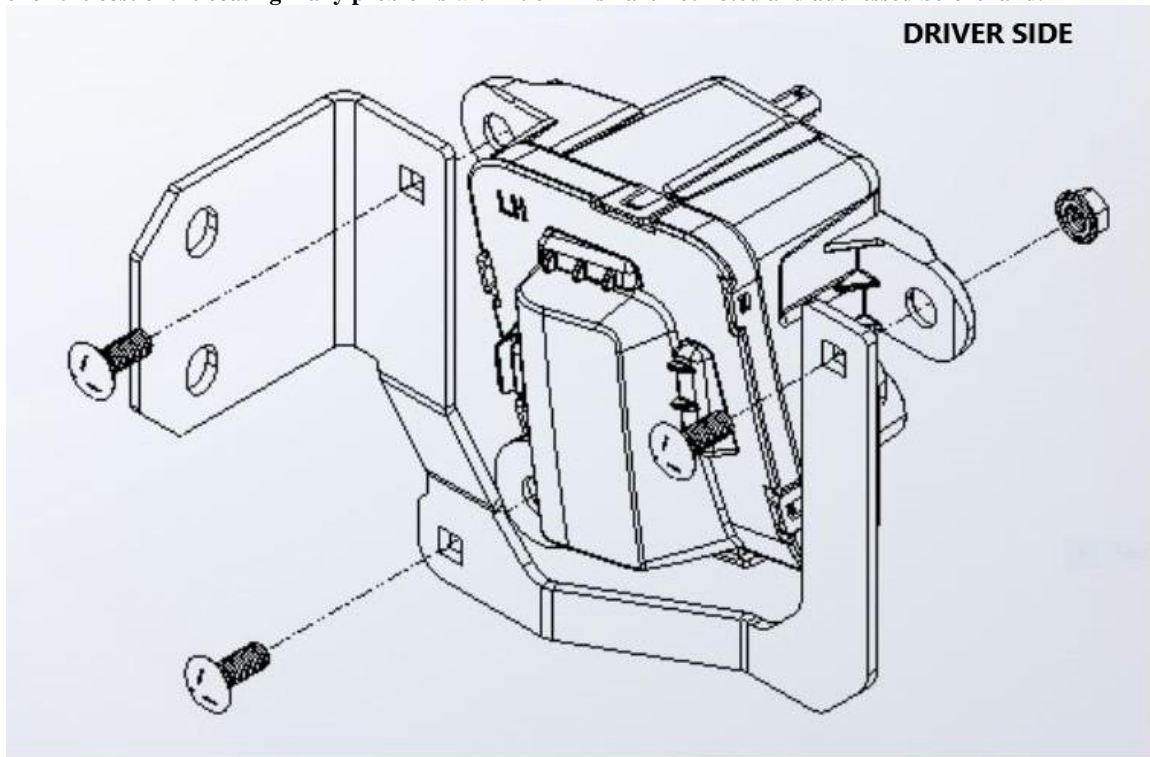
Special care should be exercised in the handling, storage and installation of Ranch Hand equipment. The actual weight of each piece of equipment will vary depending on style and model. The weight of the equipment is sufficient in volume to warrant special care, assistance and in some instances, the use of mechanical equipment during the transfer and installation of the equipment. Do not assume a position directly under the equipment during installation. Be sure the equipment has been connected and stabilized during installation to prevent falling or shifting of positions. Periodically check tightness of bolts to make sure they are tight, and unlikely to fail.
Rev. 2024



1-877-287-8634

INSTALLATION INSTRUCTIONS

IMPORTANT NOTICE: Be sure to inspect and test fit product before having it coated or painted. Ranch Hand will not be responsible for the cost of the coating if any problems with fit or finish are not noted and addressed beforehand.



16. Hook up the sensor and fog light wires. Use the rubber grommets to install the sensors. You can run the wires through the square opening in the mounting brackets just below the top plate.
17. On the driver side end cap, there is a knock-out plug. If you have a diesel motor punch out the opening to install the block heater plug.



----- **WARNING** -----

Special care should be exercised in the handling, storage and installation of Ranch Hand equipment. The actual weight of each piece of equipment will vary depending on style and model. The weight of the equipment is sufficient in volume to warrant special care, assistance and in some instances, the use of mechanical equipment during the transfer and installation of the equipment. Do not assume a position directly under the equipment during installation. Be sure the equipment has been connected and stabilized during installation to prevent falling or shifting of positions. Periodically check tightness of bolts to make sure they are tight, and unlikely to fail.
Rev. 2024

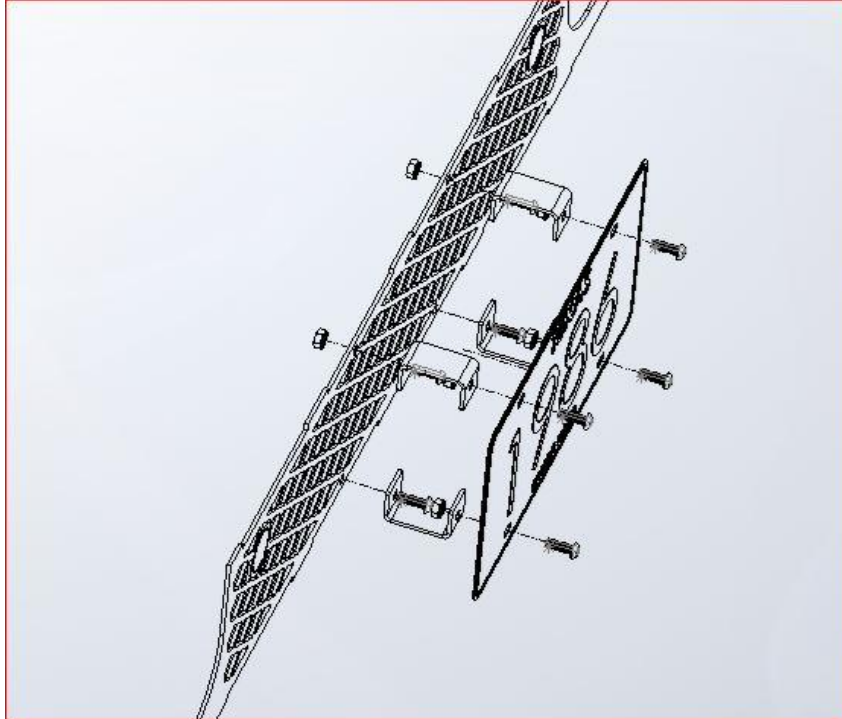


1-877-287-8634

INSTALLATION INSTRUCTIONS

IMPORTANT NOTICE: Be sure to inspect and test fit product before having it coated or painted. Ranch Hand will not be responsible for the cost of the coating if any problems with fit or finish are not noted and addressed beforehand.

18. Mount the license plate using the four "C" shape brackets. Use the ¼" button head screws to mount the "C" brackets to the insert and then the license plate to the brackets.



19. If the vehicle does not have a camera, install small insert by using the black button head bolts and nuts.

MAKE SURE ALL BOLTS AND NUTS ARE TIGHT!

----- **WARNING** -----

Special care should be exercised in the handling, storage and installation of Ranch Hand equipment. The actual weight of each piece of equipment will vary depending on style and model. The weight of the equipment is sufficient in volume to warrant special care, assistance and in some instances, the use of mechanical equipment during the transfer and installation of the equipment. Do not assume a position directly under the equipment during installation. Be sure the equipment has been connected and stabilized during installation to prevent falling or shifting of positions. Periodically check tightness of bolts to make sure they are tight, and unlikely to fail.
Rev. 2024