



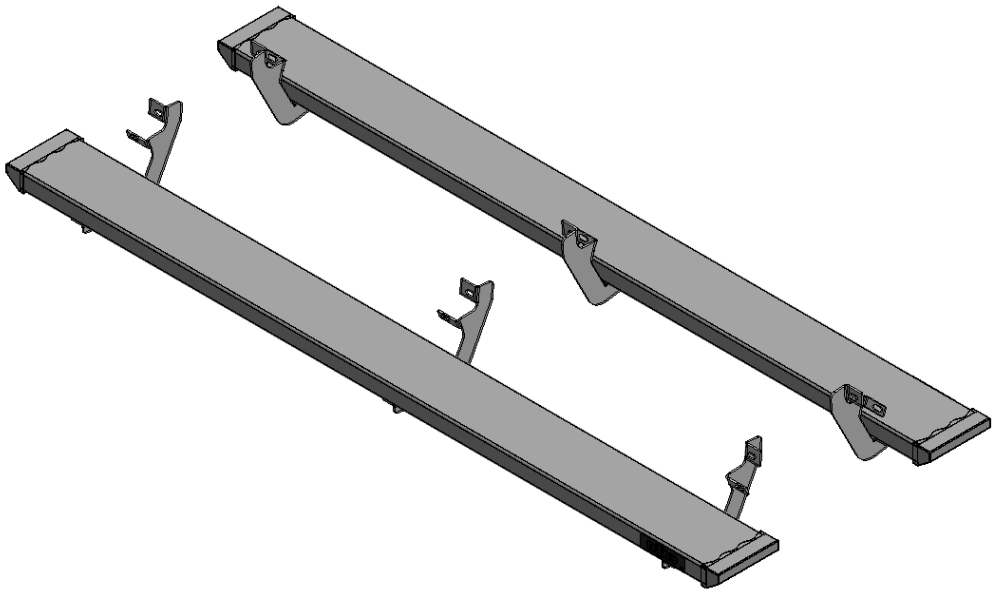
I-SHEET PART NUMBER: INST-00155  
 PART NUMBER: GFD20CC-TX, GFD20MC-TX  
 PRODUCT: **GROWLER RUNNING BOARD**  
 APPLICATION: 19-2024 RAM 2500/3500 CC  
 MEGA CAB

**HWKT-05482X**

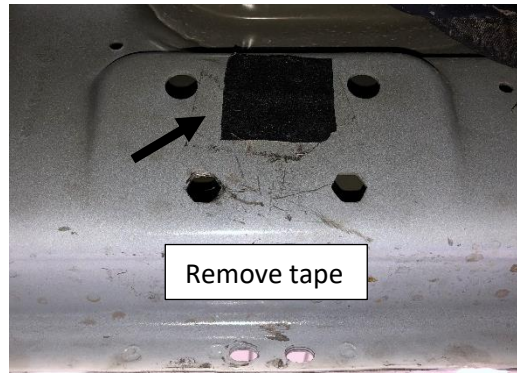
HARDWARE DESCRIPTION		QTY.
HHCS-00568X	3/8"-16 X 1" GRADE 5 HEX CAP SCREW	6
CLIP-00647X	3/8"-16 X 1 3/4" BARREL NUT CLIP	6
FLTW-00663X	3/8" USS FLAT WASHER	6
FLHB-00797X	M8-1.25 X 25MM HEX SERRATED FLANGE BOLT	6
FLNT-00696X	M8-1.25 SERRATED FLANGE NUT	6
FLHB-00688X	3/8"-16 X 1" HEX SERRATED FLANGE BOLT	12
PARTS INCLUDED		QTY
Running Boards		2
Rocker Panel mounting Brackets		6
Threaded clamp plates		6



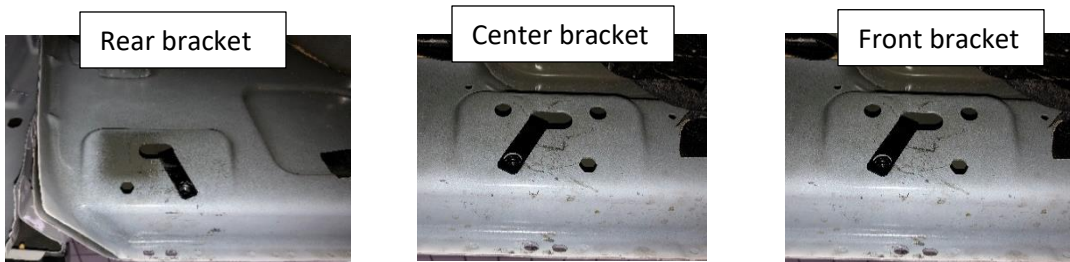
# **GROWLER**



**Step 1:** Beginning with the driver side, remove any factory running boards or steps and discard.  
**Step 2:** Next, locate the mounting holes underneath the body and remove the factory tape from the three locations.

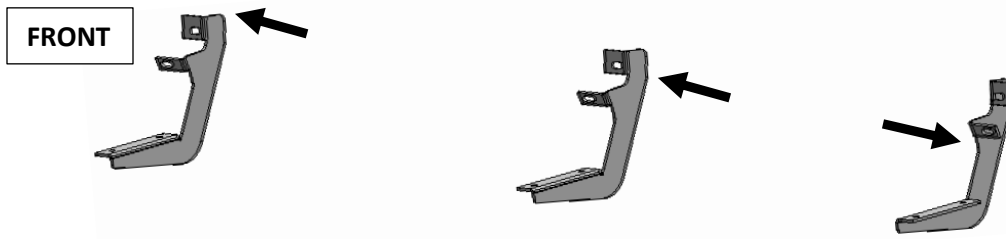


**Step 3:** Insert the supplied threaded U- clips in each mounting location.



U-clip positioning. **NOTE: Clip orientation will be the same for passenger side.**

**Step 4:** Install the (x3) rocker panel mounting brackets to the factory attachment points using the provided 3/8" x 1" hex bolts and 3/8" flat washers for the upper mount and the M8x25mm flanged bolt and M8 flanged nut for the pinch weld mount. Leave loose for now.

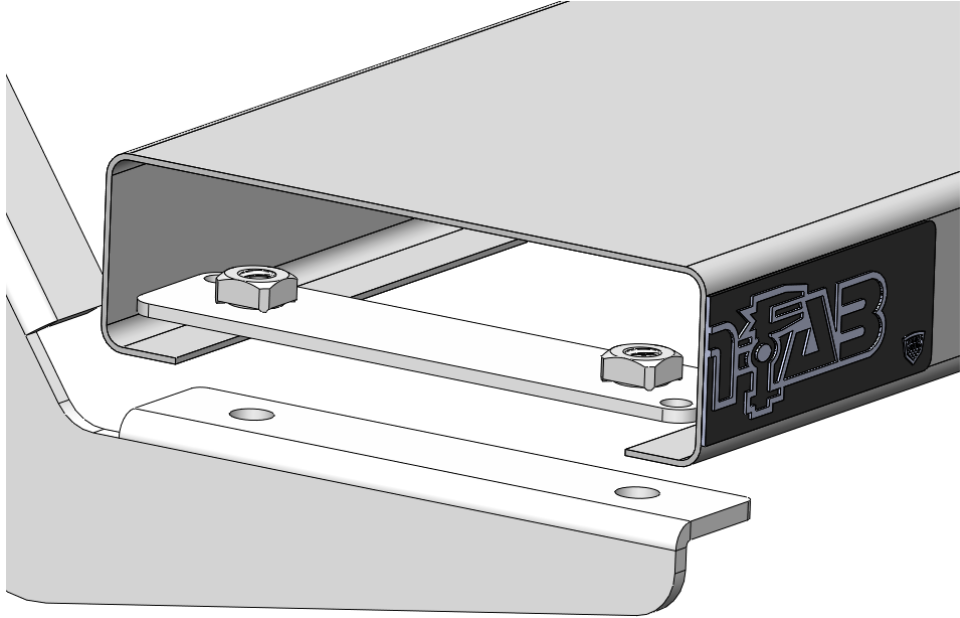


**NOTE: Make sure the brackets are facing in the correct direction.**

**Step 5:** Set running board along the top of all 3 brackets and center along the cab.



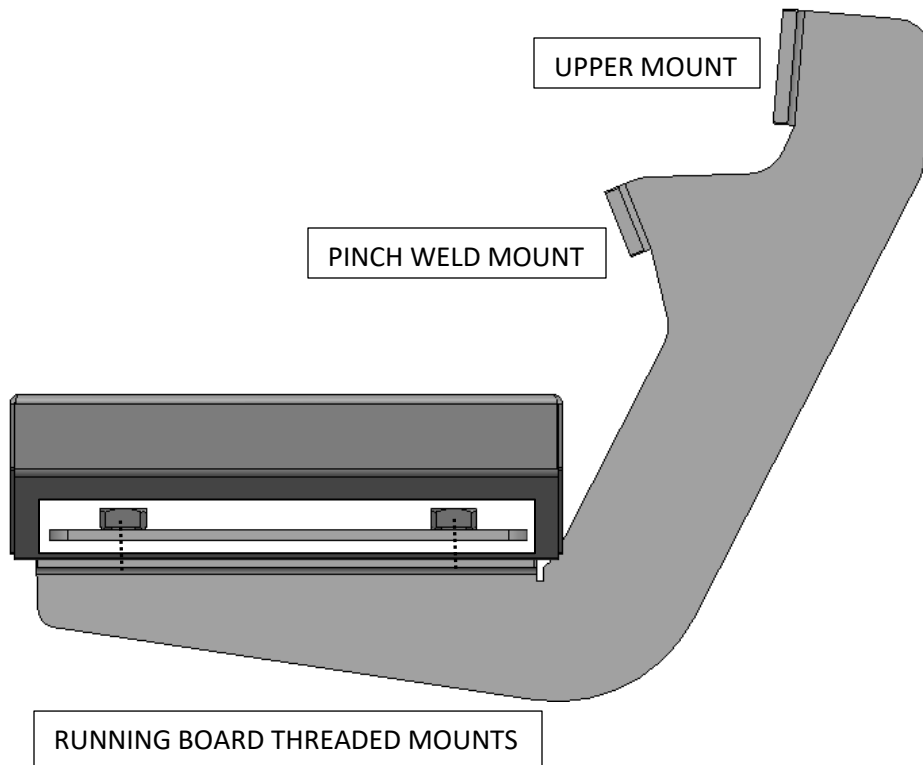
**Step 6:** Insert the supplied threaded bracket (x3) inside the running board lip over the top of each bracket.  
**Step 7:** With the supplied 3/8" x 1" hex bolts, secure each mounting location and leave loose.



**Step 8:** After final adjustment, tighten all running board threaded mounts.

**Step 9:** Next, tighten the lower pinch weld attachment points (x3).

**Step 10:** Finish by tightening the upper mounts (x3).



**Step 11:** Repeat steps 2-10 for passenger side.