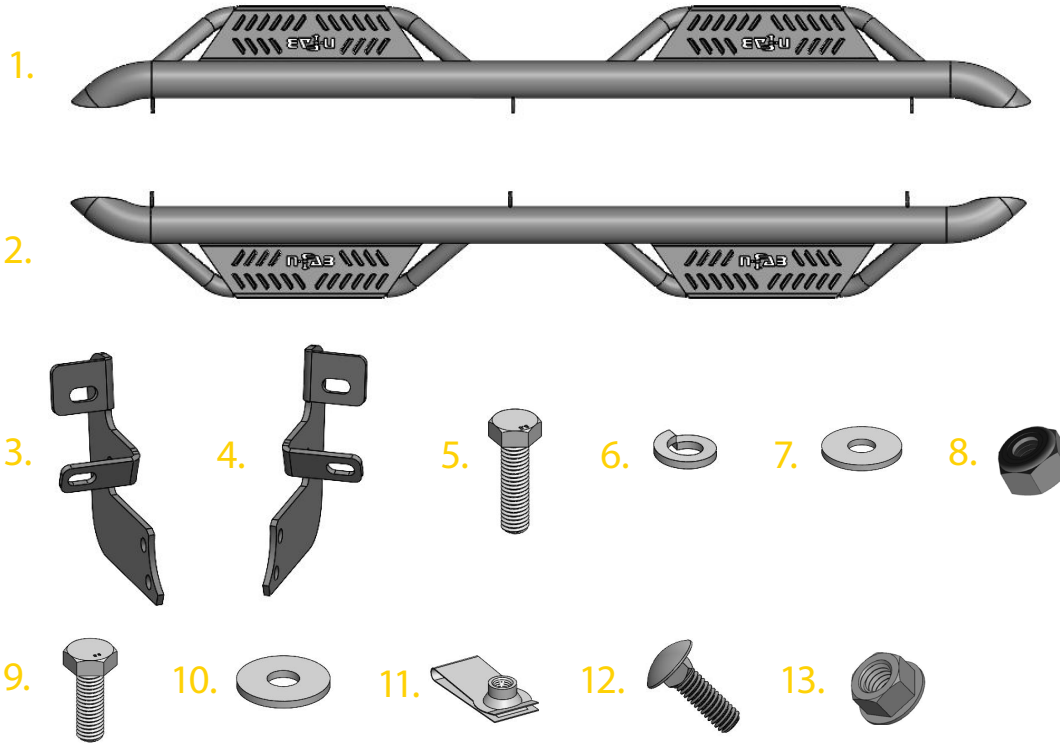


Components and Hardware: HWKT-03567X



Components and Hardware:

1. Driver side step.....	(1)
2. Passenger side step.....	(1)
3. Mounting bracket "A".....	(3)
4. Mounting bracket "B".....	(3)
5. M8-1.25x30mm hex bolt.....	(12)
6. M8 lock washer.....	(6)
7. M8 fender washer.....	(18)
8. M8-1.25 nylon locknut.....	(6)
9. M10-1.5x30mm hex bolt.....	(6)
10. M10 fender washer.....	(6)
11. 10mm-1.5x45mm nutclip.....	(6)
12. M10 carriage bolt.....	(12)
13. M10 flanged hex nut.....	(12)

Tools for Installation:

- 13mm wrench
- 13mm socket
- 17mm socket
- Ratchet wrench



DESERT BORN, ROAD READY.™

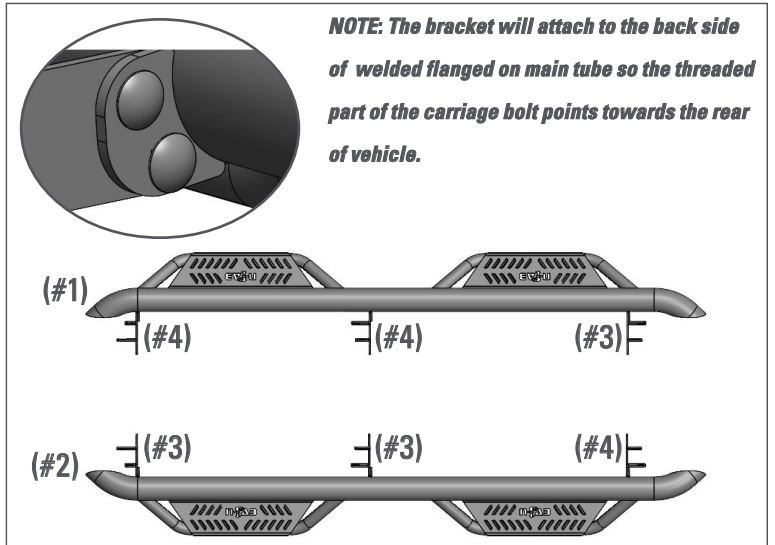
PART# HPD1573QC-TX
15.5-18 (19-21 CLC) RAM 1500 QC

PODIUM STEP
INST-02433

INSTALL

Step 1. Attach (#3)x1 and (#4)x2 mounting bracket to (#1) driver side step and loosely fasten using (#12) M10 carriage bolt and (#13) M10 flanged hex nut and loosely tighten for now.

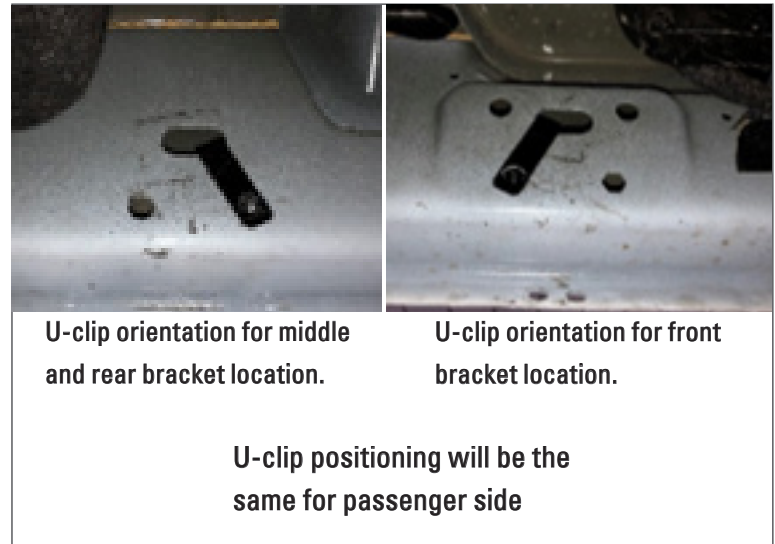
Step 2. Attach (#3)x2 and (#4)x1 mounting bracket to (#2) passenger side step and loosely fasten using (#12) M10 carriage bolt and (#13) M10 flanged hex nut and loosely tighten for now.



Step 3. Remove OE step if equipped, then locate (x3) mounting locations. There will be three mounting types depending on your model. **1.** M8 threaded holes. **2.** Blank holes. **3.** M8 rivet nuts.

Step 4. If your vehicle is not equipped with M8 threaded mounting locations, install the (#11) M10 u-clips at this time.

Step 5. If u-clips are not needed, proceed to the next step.



Step 6. Carefully place step into position and start the upper (#9) M10x30 hex bolt and (#10) M10 fender washer or (#5) M8x30 hex bolt and (#7) M8 fender washer in the center bracket and hand tighten to hold in place. Next, install the remaining upper hardware for the front and rear bracket and leave loose for now.





DESERT BORN, ROAD READY.™

PART# HPD1573QC-TX
15.5-18 (19-21 CLC) RAM 1500 QC

PODIUM STEP
INST-02433

INSTALL

Step 7. Install the (#5) M8x30mm hex bolt, (#6) lock washer and (#8) ny-lock hex nut in the lower mounting locations and leave loose.

Step 8. After final positioning, tighten the lower mounting position first, beginning with the rear bracket working your way up to the front bracket. (20 ft/lbs)



Step 9. Finish by tightening upper mounts. If M10x30mm bolts where used, torque to (30 ft/lbs) and (20-25 ft/lbs) for M8x30mm bolts.

Step 10. Tighten all mounting bracket at the main tube to (30 ft/lbs).

Step 11. Repeat process for passenger side.

