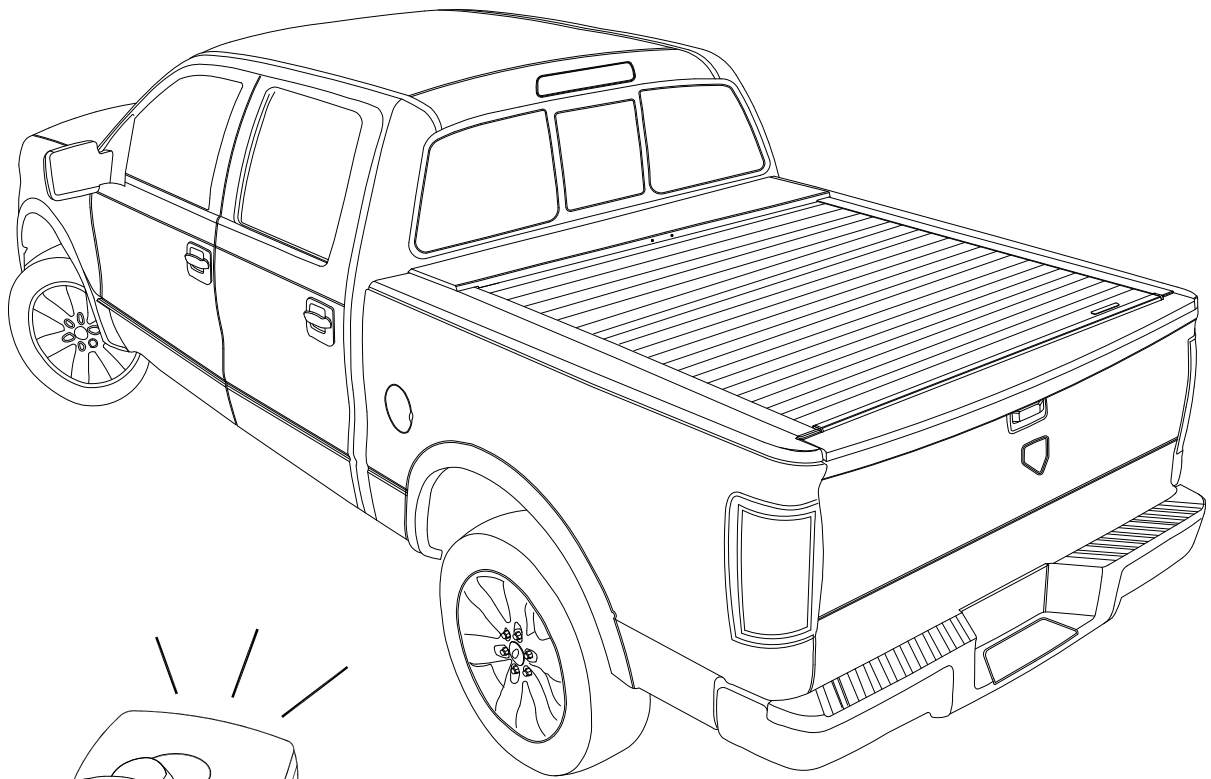




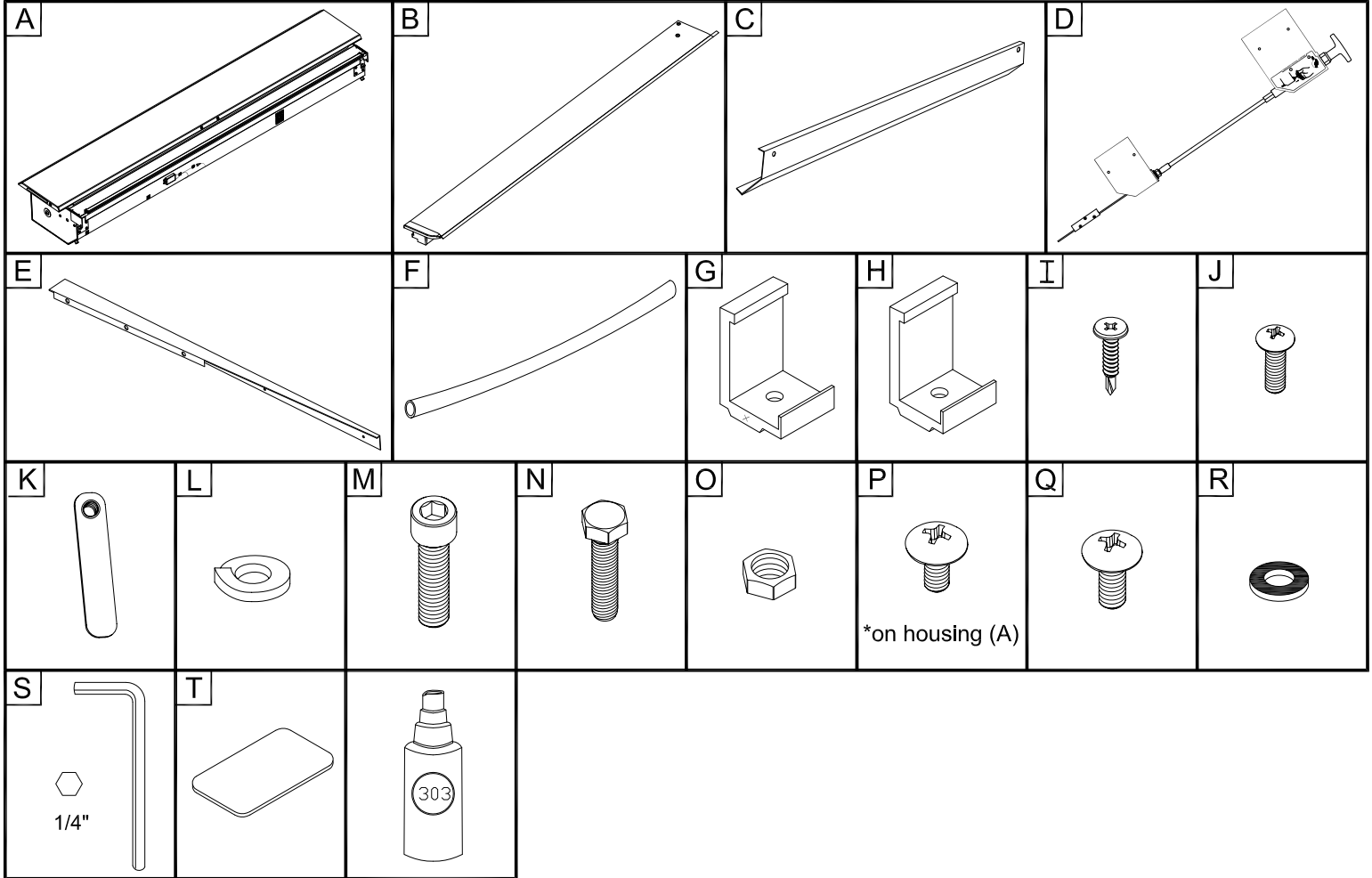
E Series Installation Guide Ram



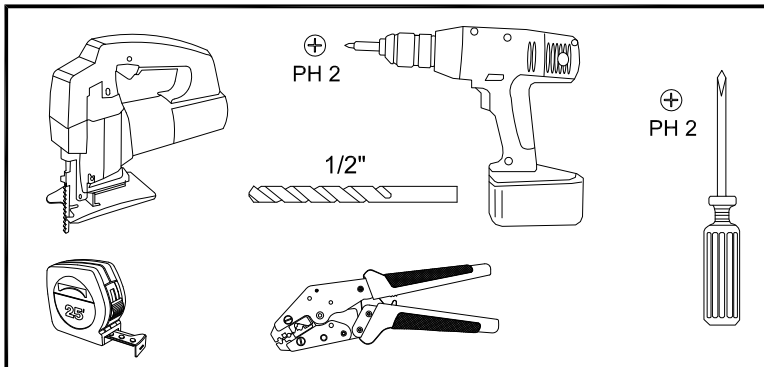
Product Code:
RC448E

Parts List

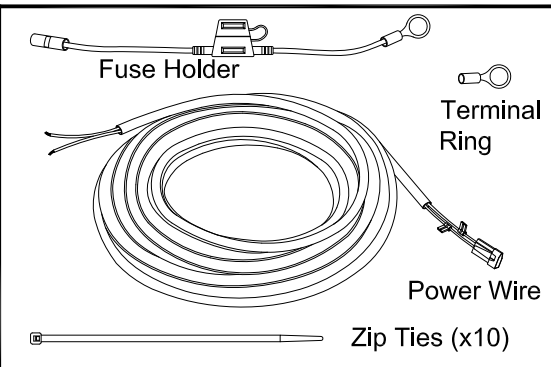
Item	Part Name	Qty.	Item	Part Name	Qty.	Item	Part Name	Qty.
A	Housing	1	H	Bed Clamp	4	O	1/4-20 Hex Nut	2
B	Track	2	I	#8 x 3/4" Self Drill Screw	12	P	1/4" Lid Screw	2
C	Cargo Shield	1	J	#10-24 Screw	6	Q	1/4-20 x 3/8" Screw	4
D	Override Cable	1	K	Cargo Nut	6	R	Rubber Washer	4
E	Track Flange	2	L	5/16" x 1" Cap Screw	6	S	Allen Wrench (1/4")	1
F	Drain Tube	2	M	5/16" Lock Washer	6	T	Stake Hole Cover	2
G	Bed "X" Clamp	2	N	1/4-20 x 1" Bolt	2		303 Vinyl Protector	1



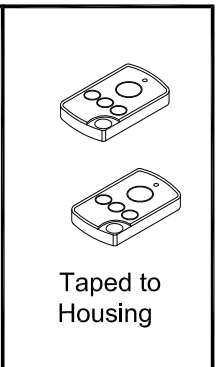
Tools Needed



Power Wire / Connectors

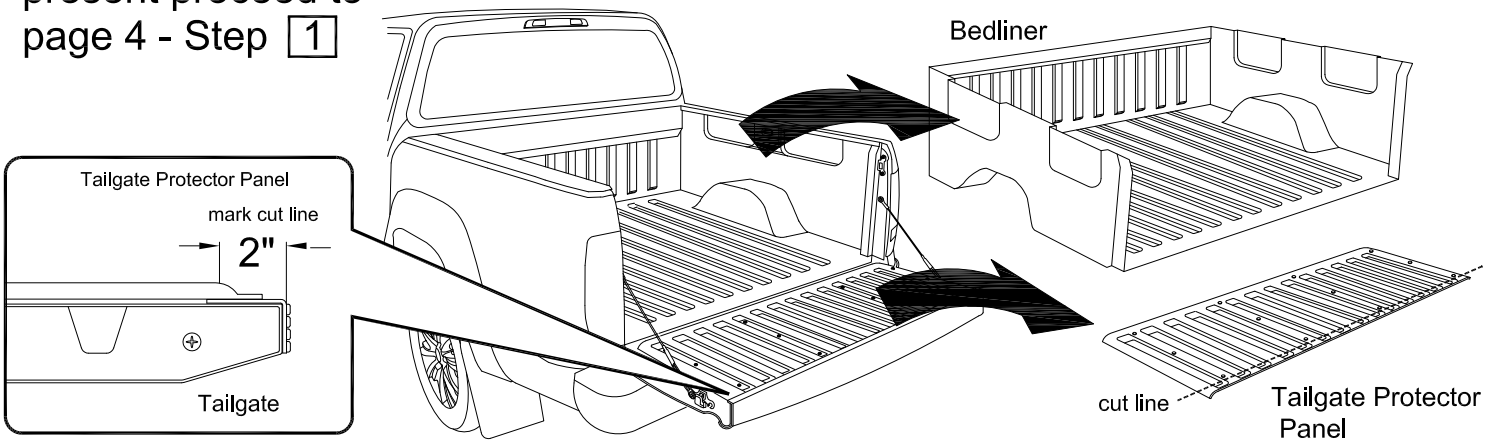


Remotes

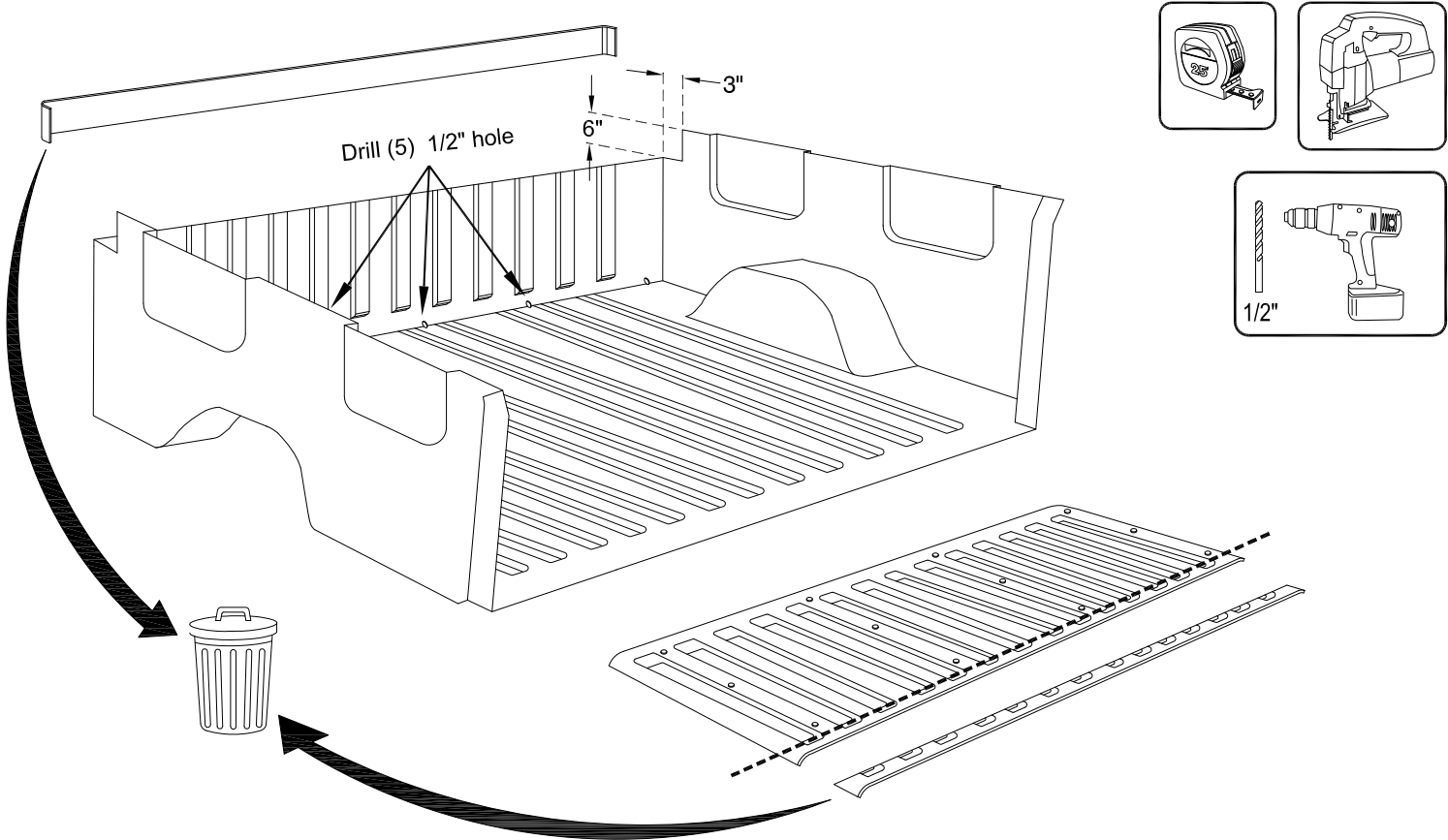


1a

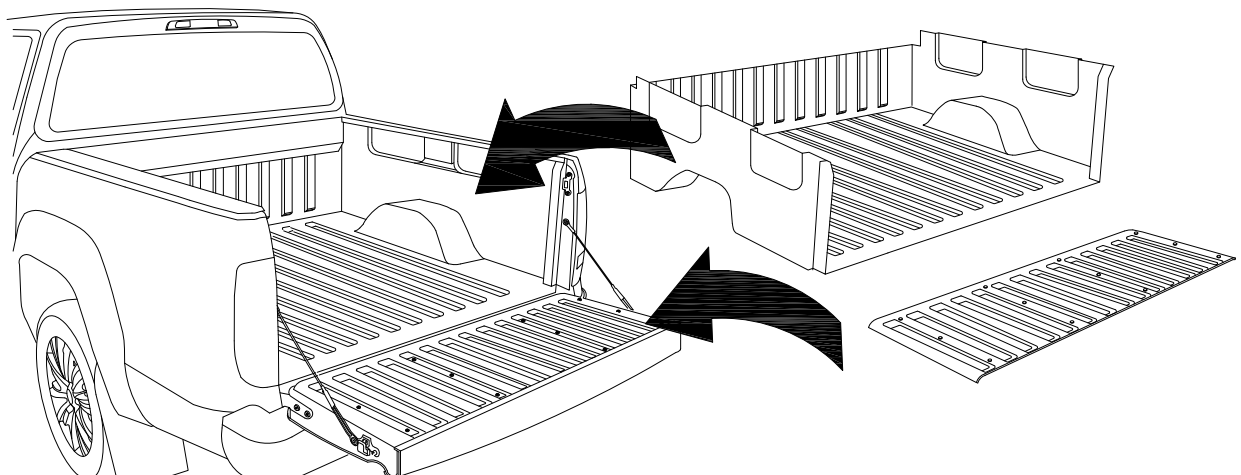
If no plastic bedliner present proceed to page 4 - Step 1



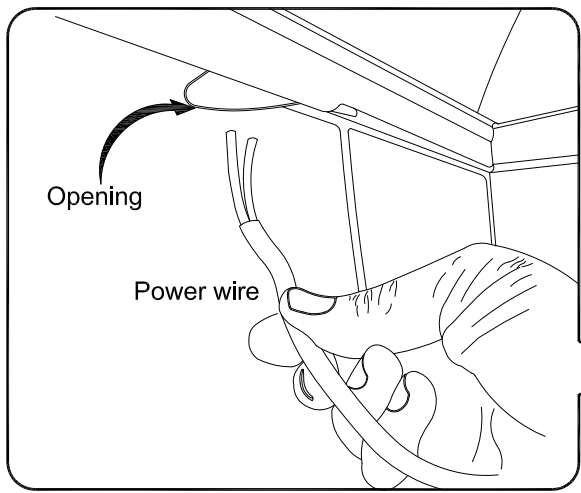
1b



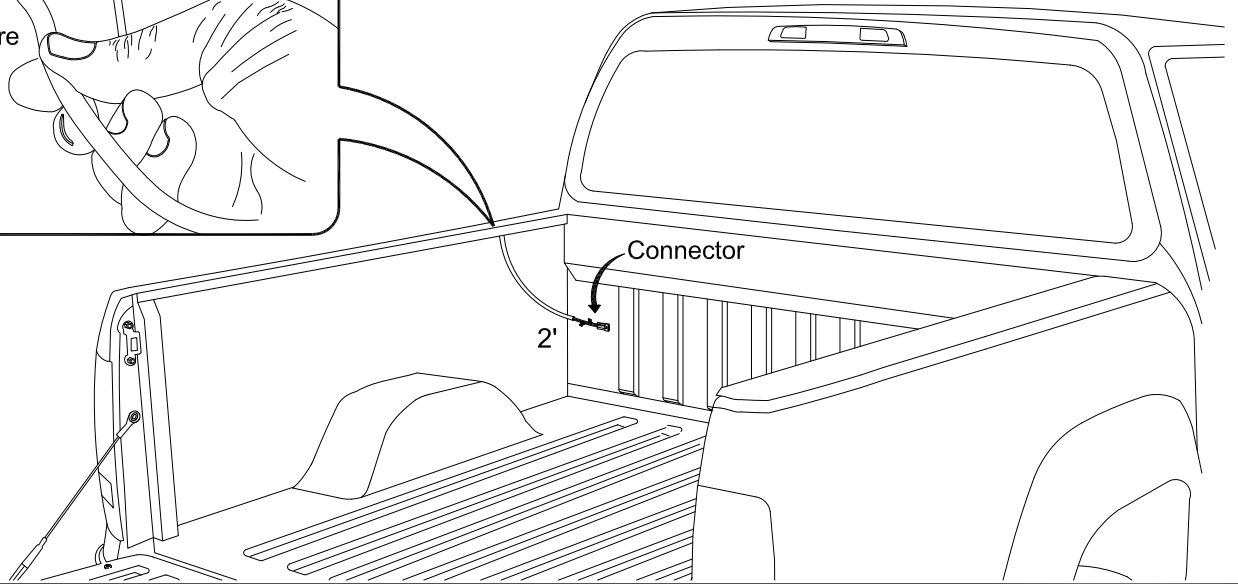
1c



1

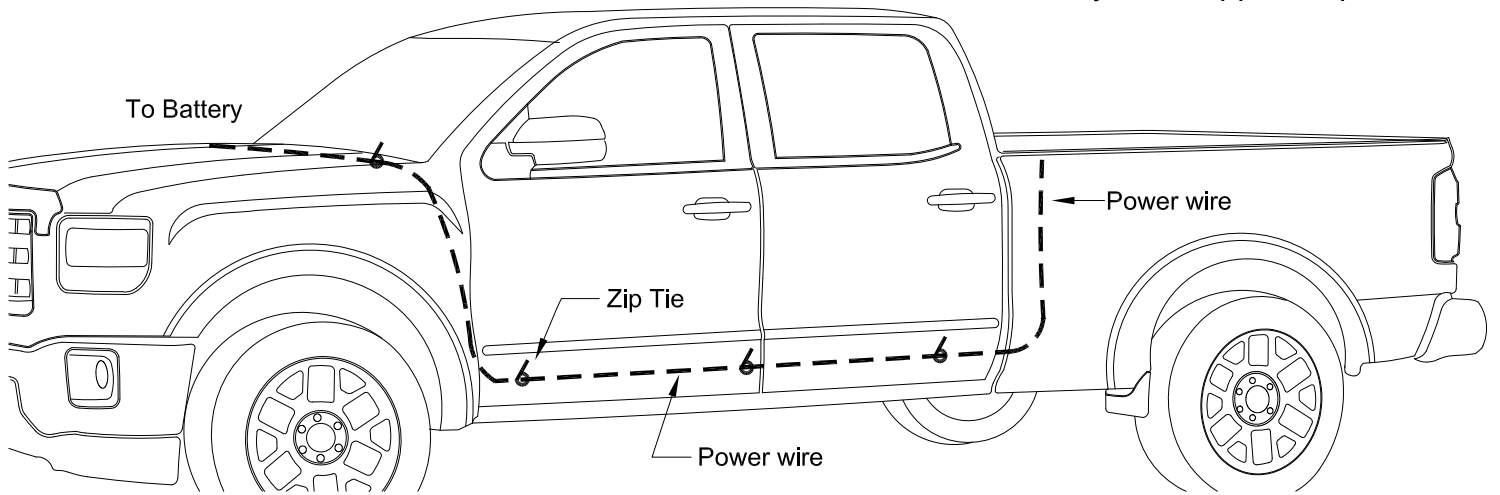


Feed end of power wire through opening on drivers side of truck cap, then down through the side panel to the ground.
Leave 2 feet of power wire in the truck bed.



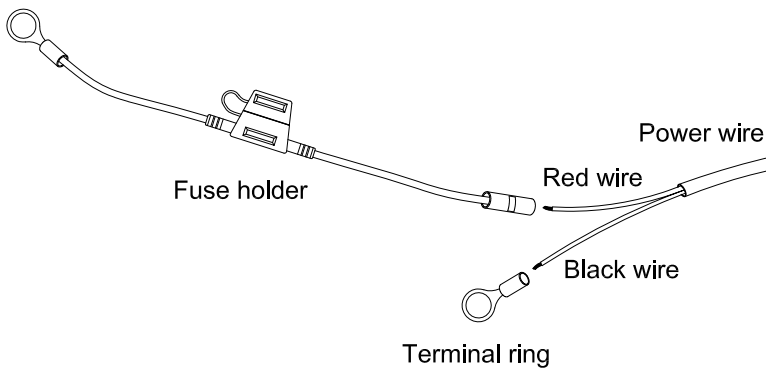
2

Feed power wire under the truck securing to an existing wire harness leading to the battery with supplied zip ties.

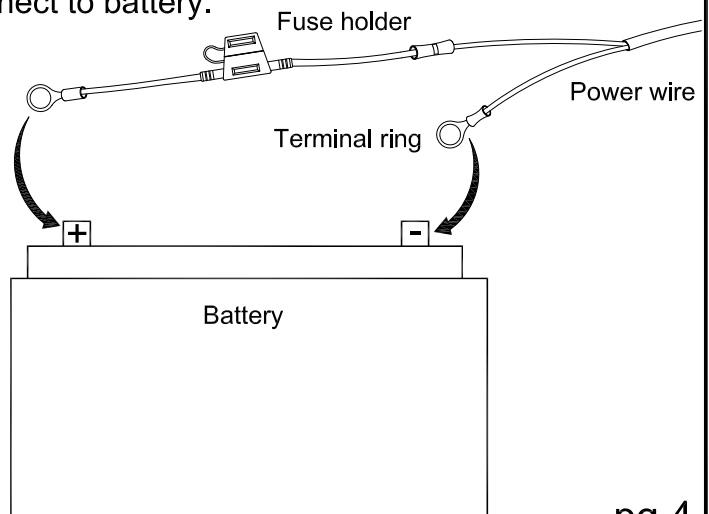


3

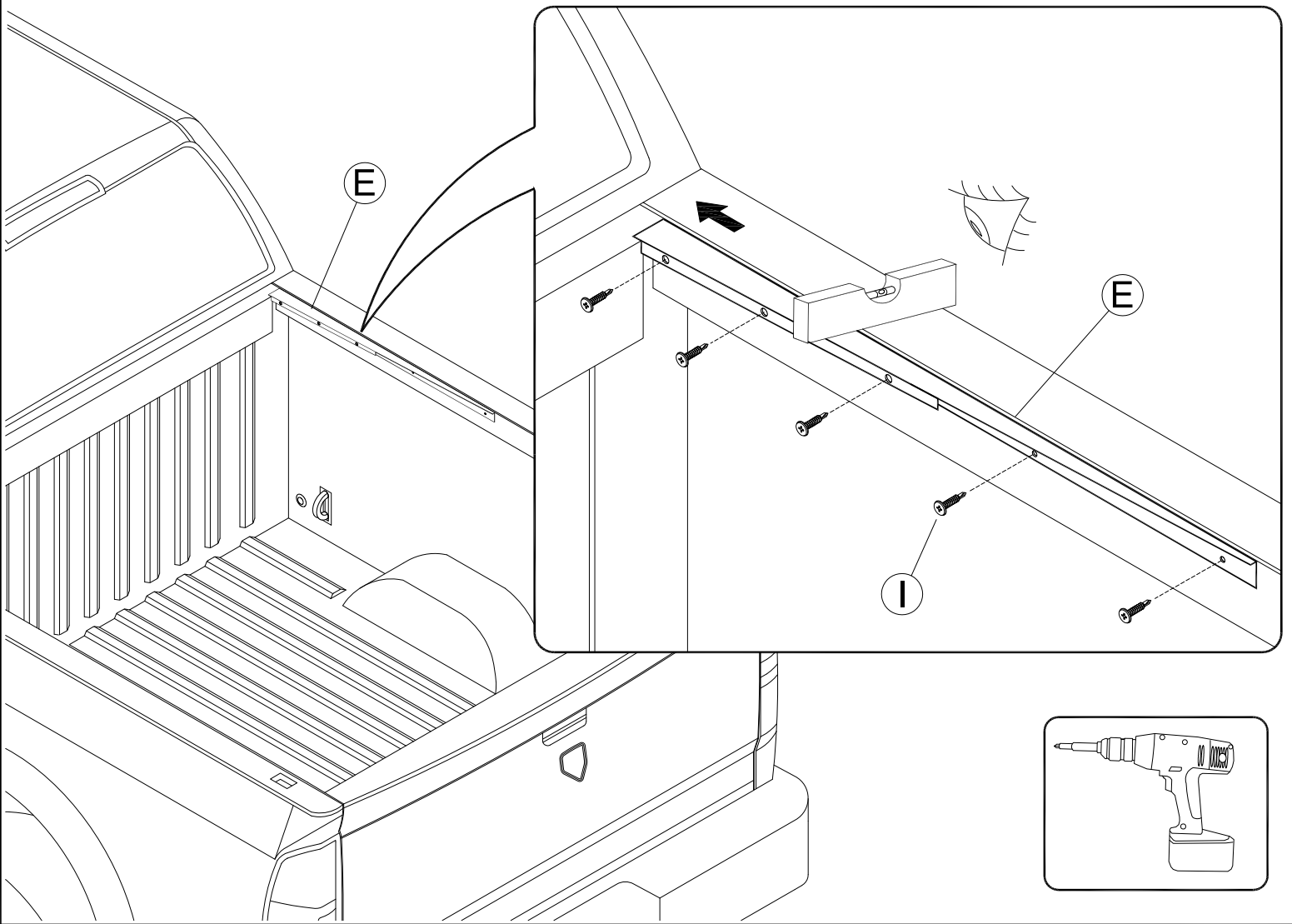
Crimp the fuse holder to the RED wire and the terminal ring to the Black wire.



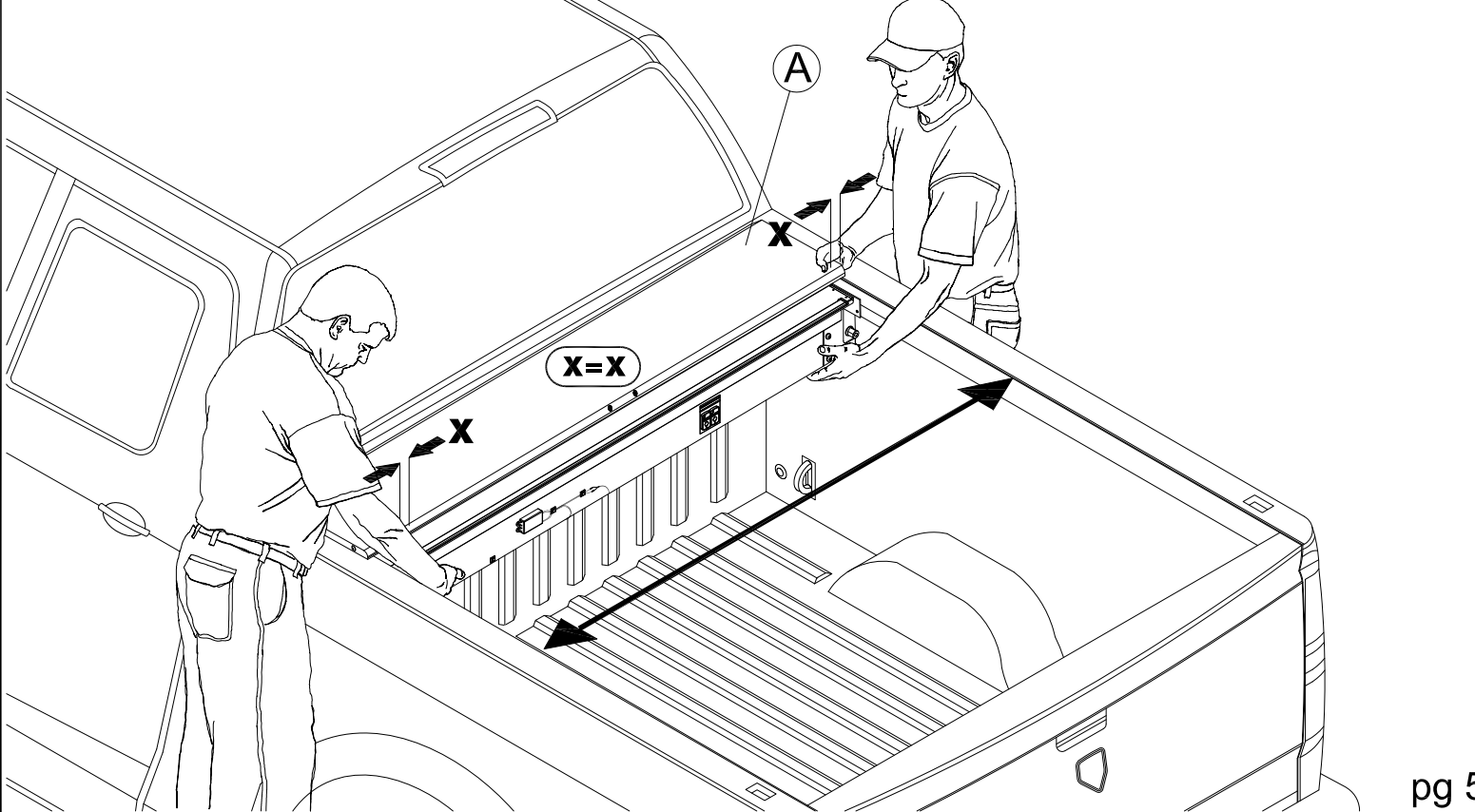
Connect to battery.



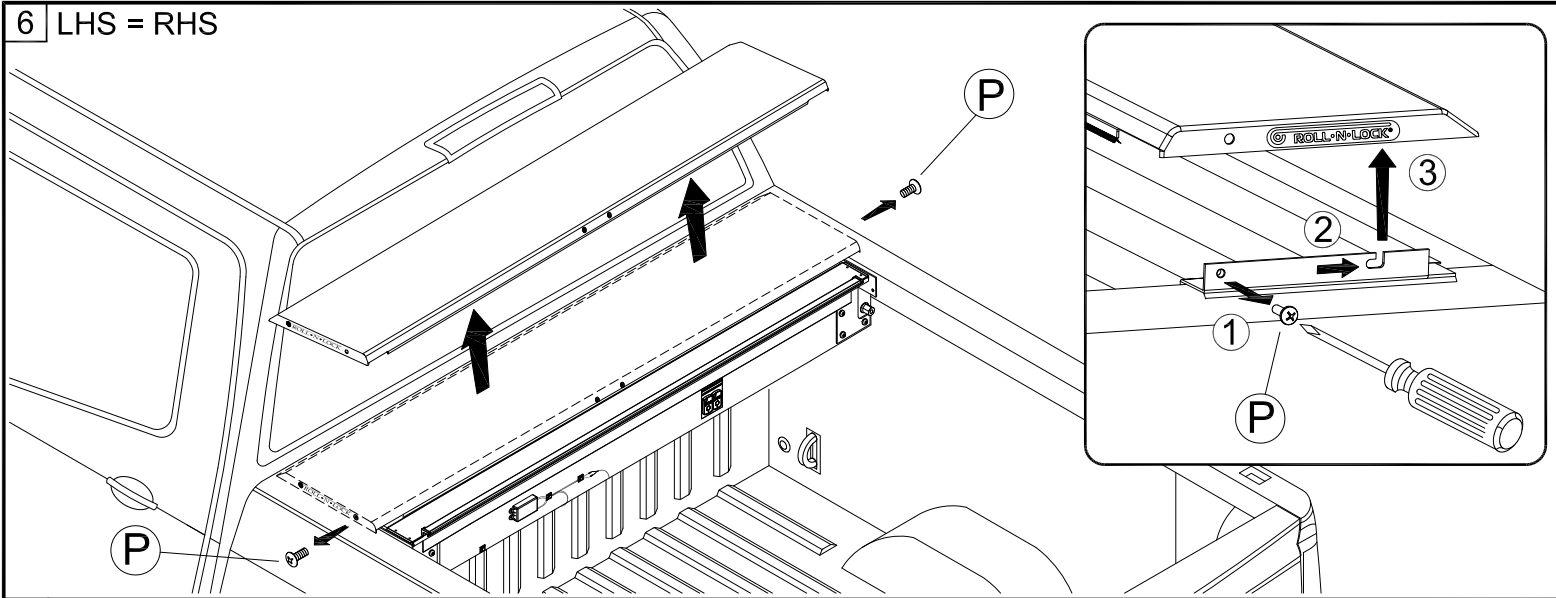
4 LHS = RHS



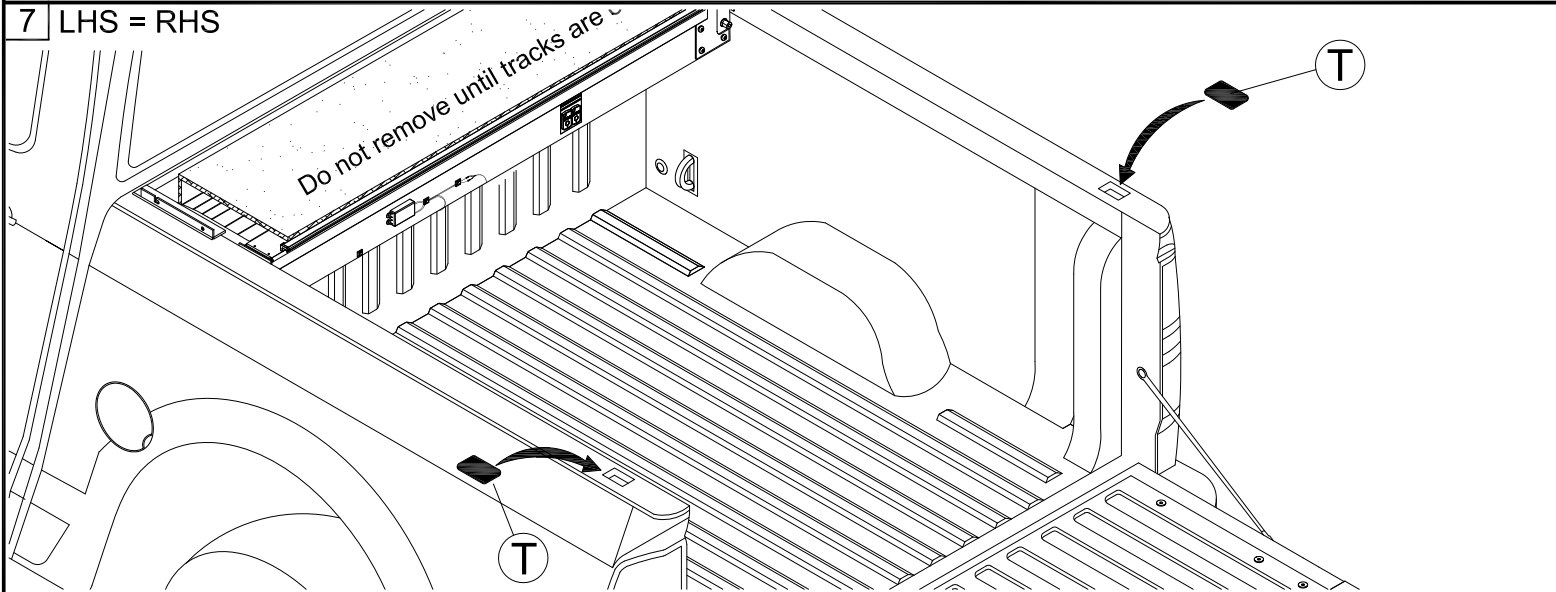
5 LHS = RHS



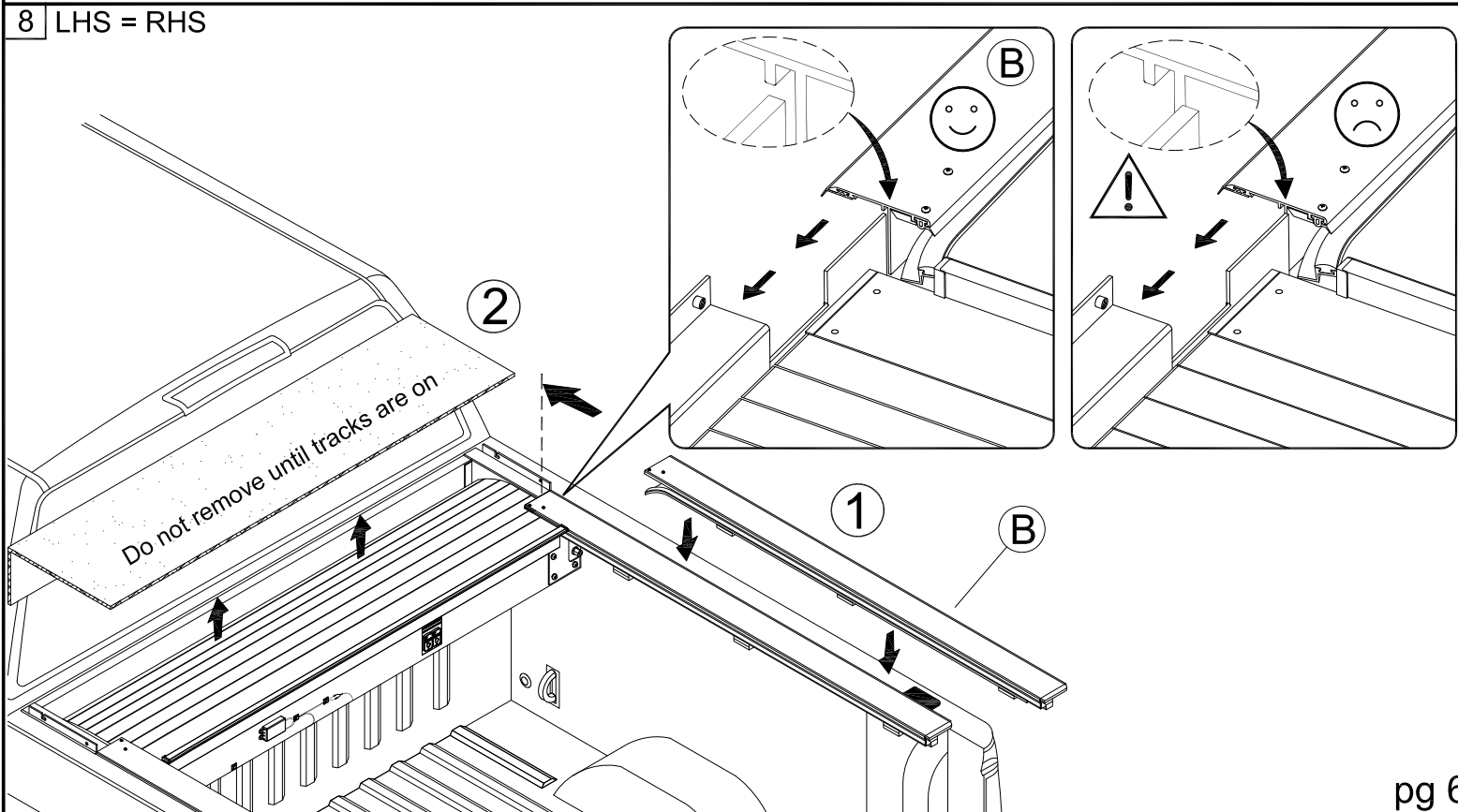
6 LHS = RHS



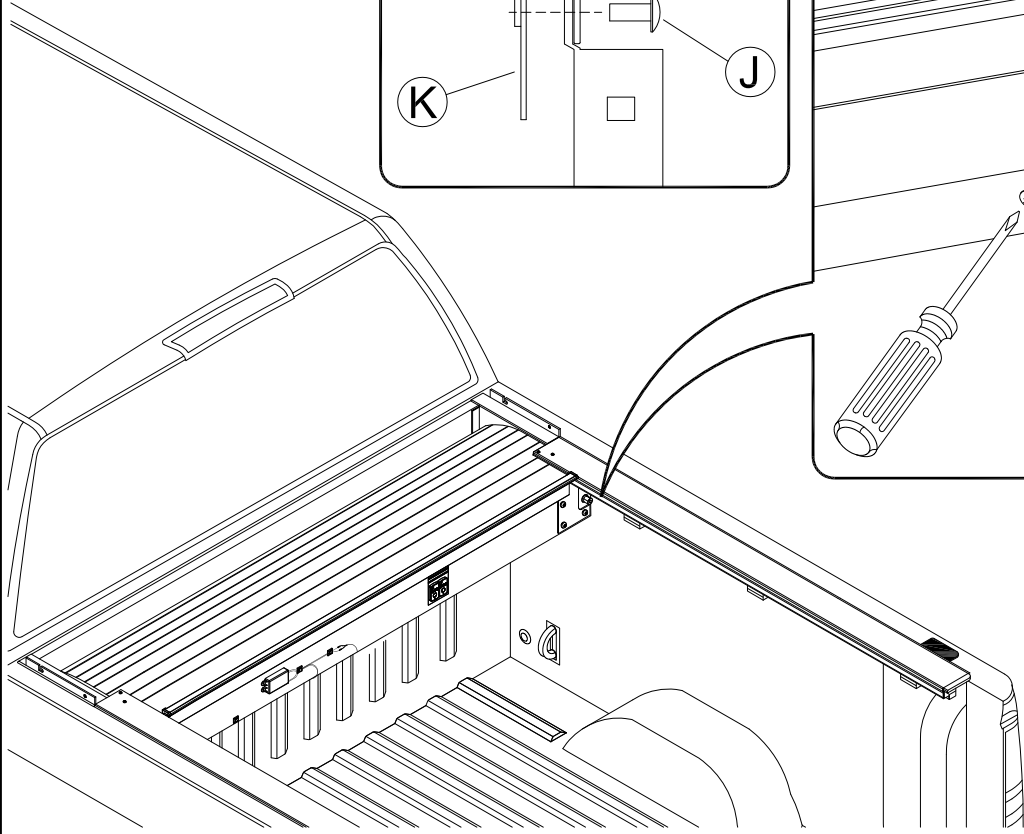
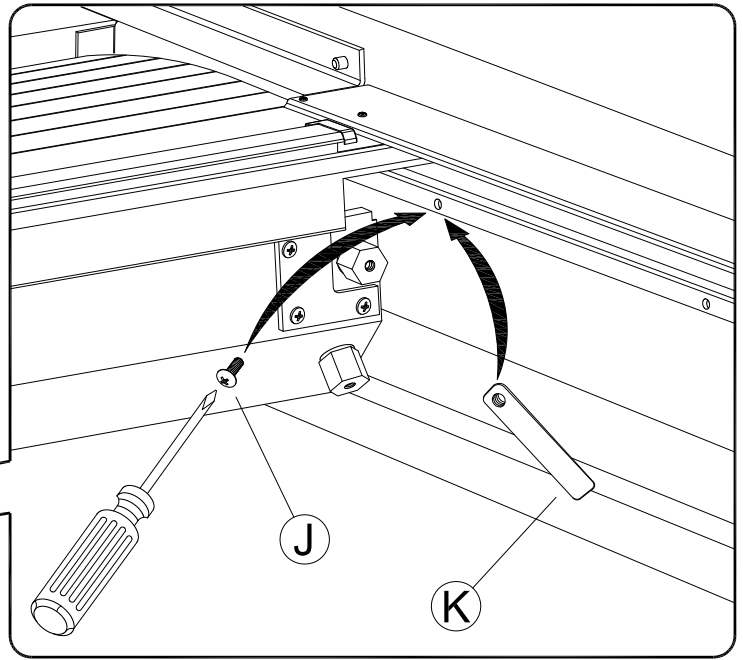
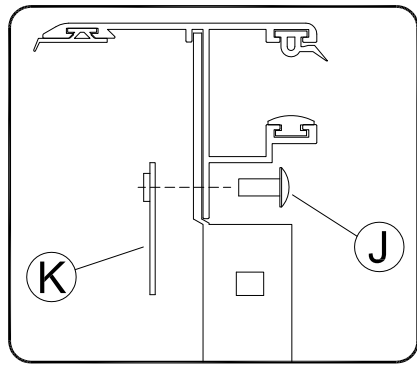
7 LHS = RHS



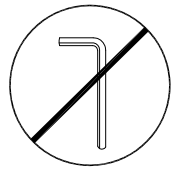
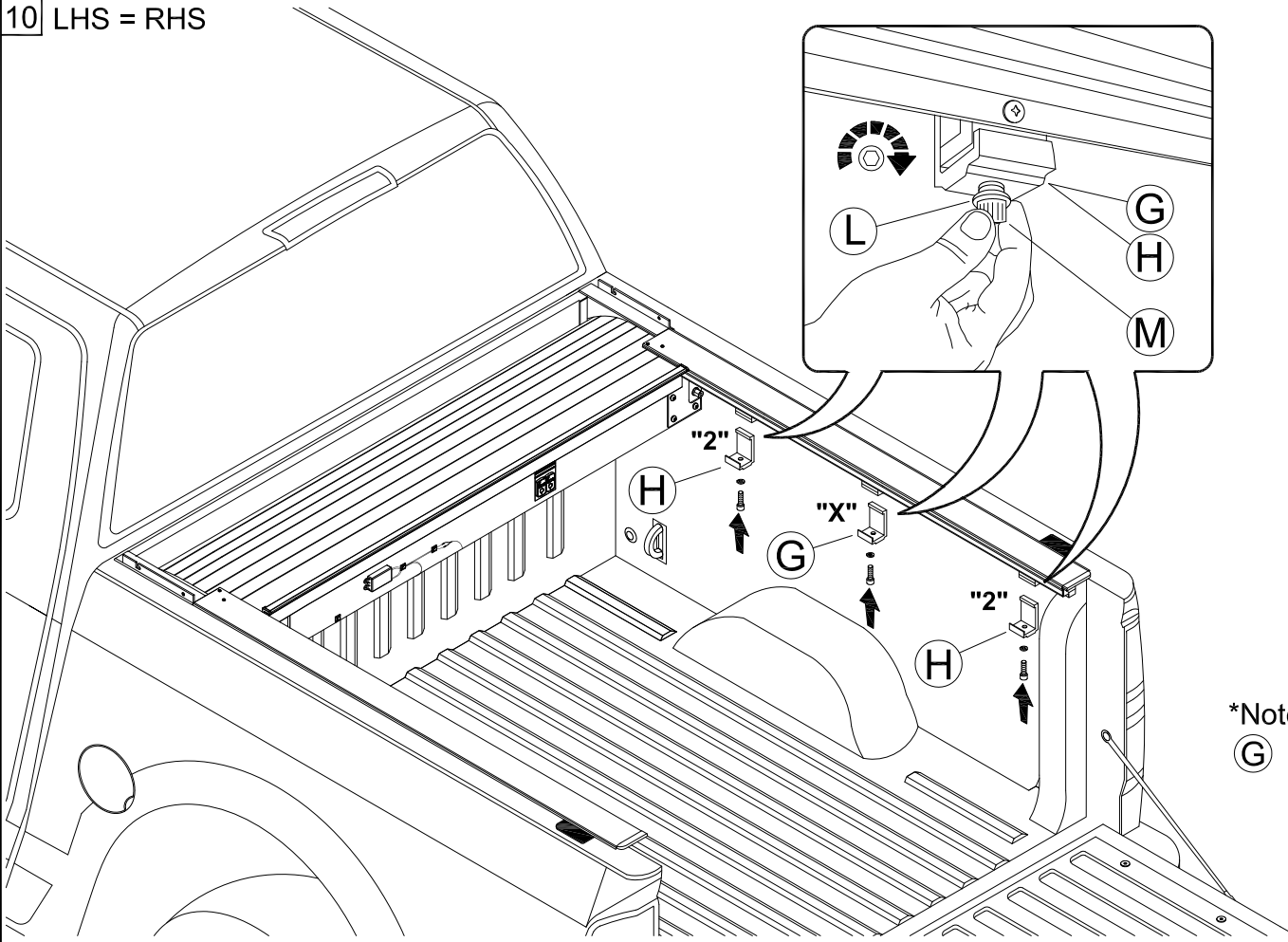
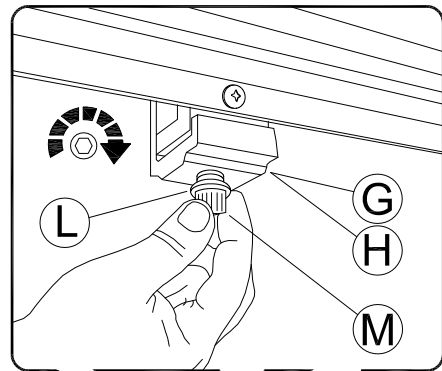
8 LHS = RHS



9 LHS = RHS

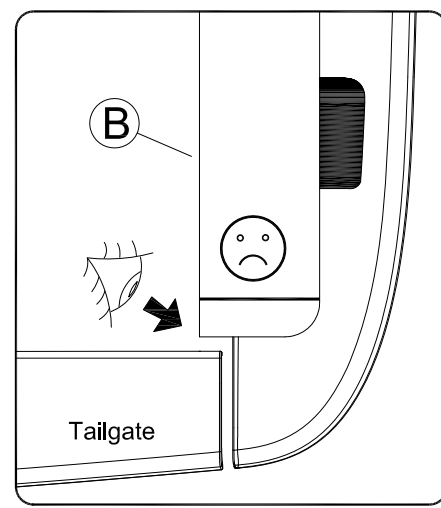
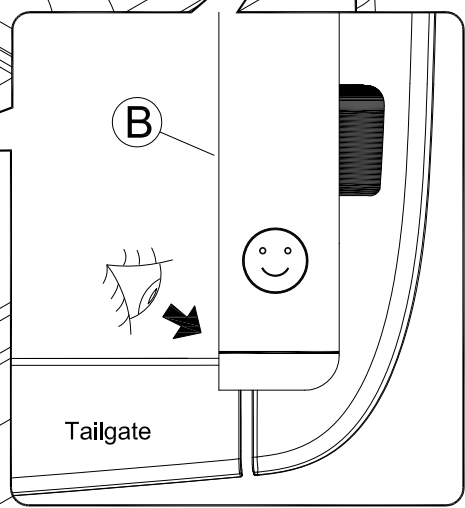
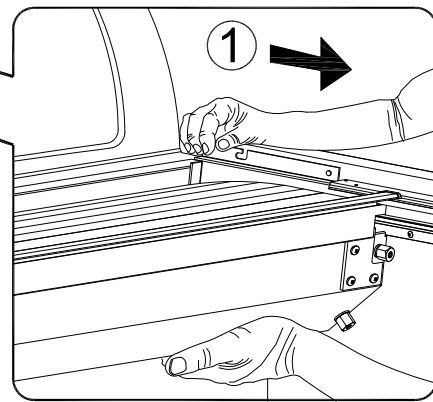
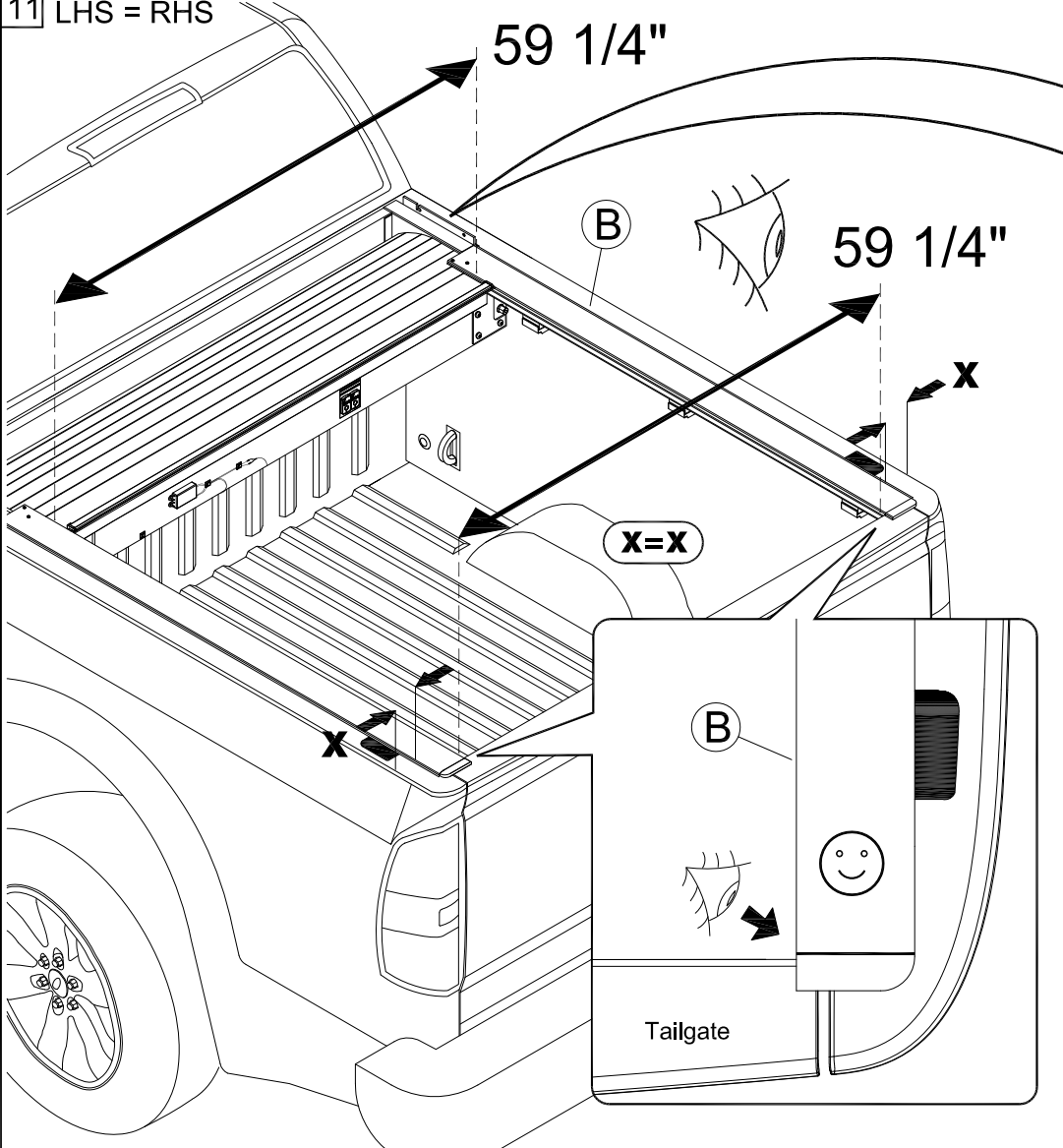


10 LHS = RHS

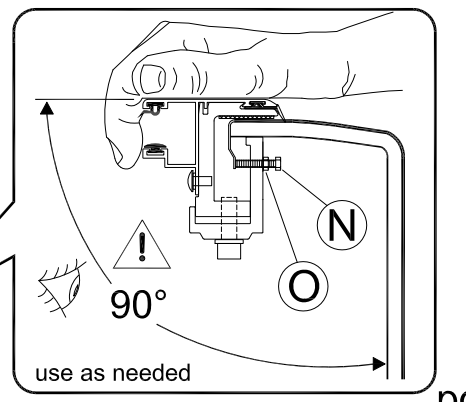
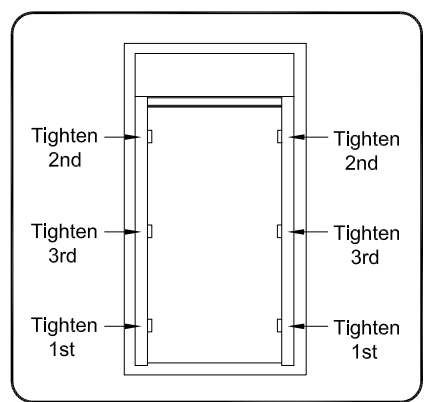
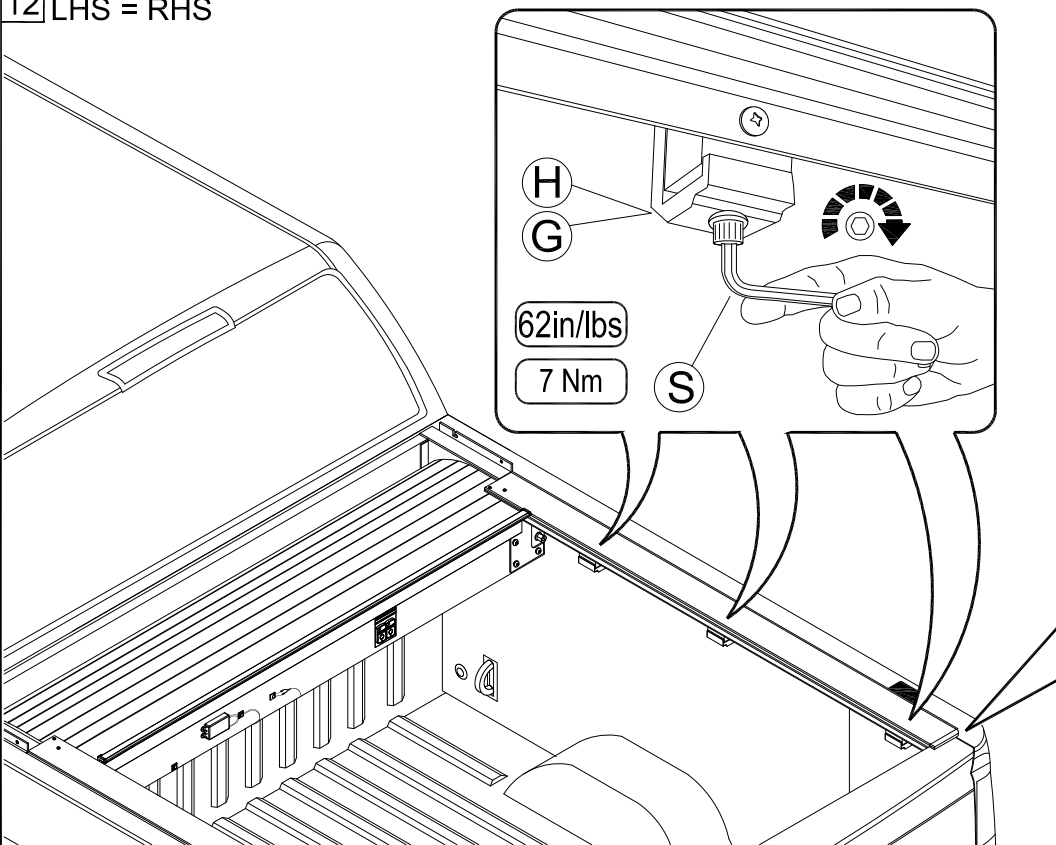


*Note location of G ("X") clamp.

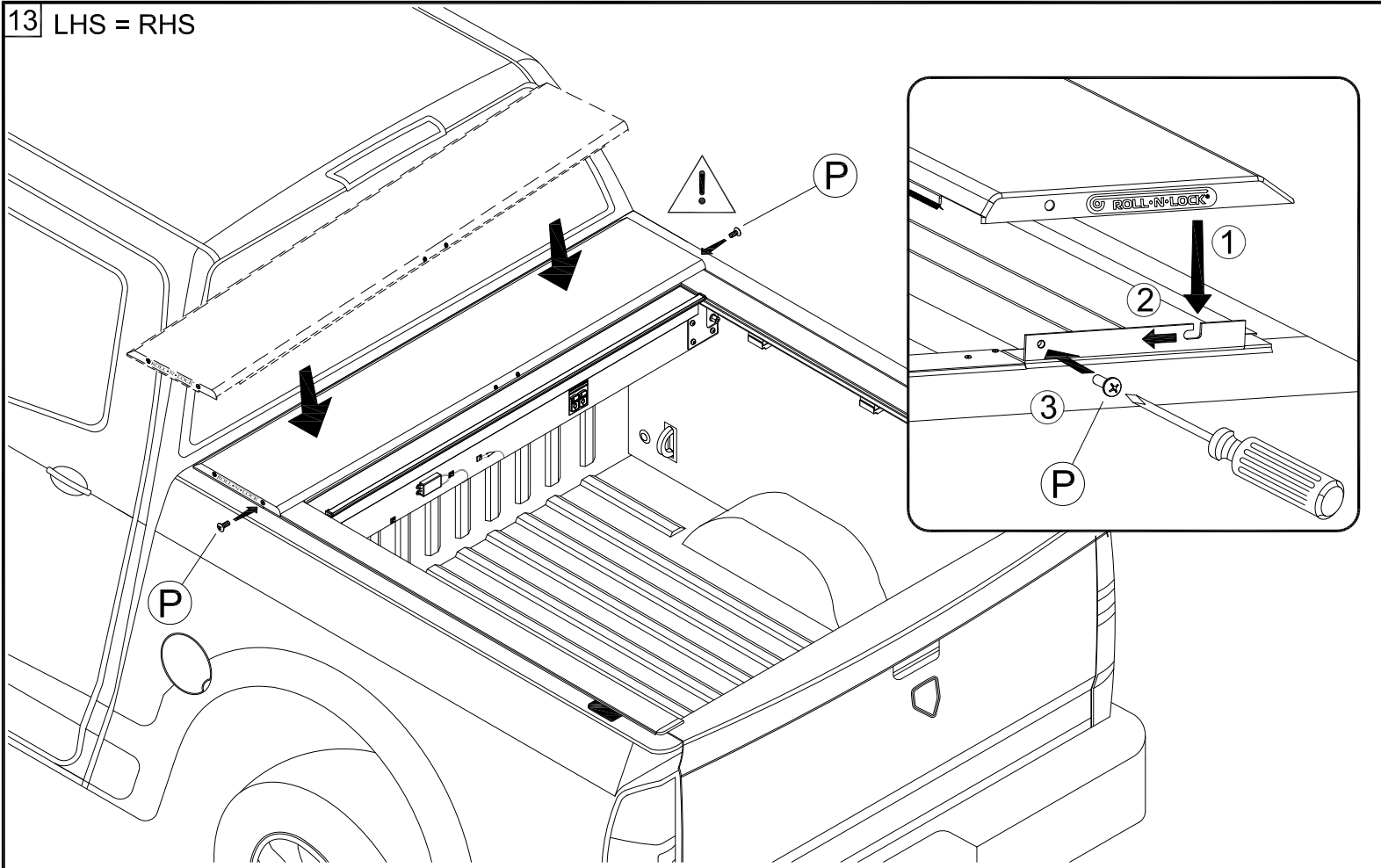
11 LHS = RHS



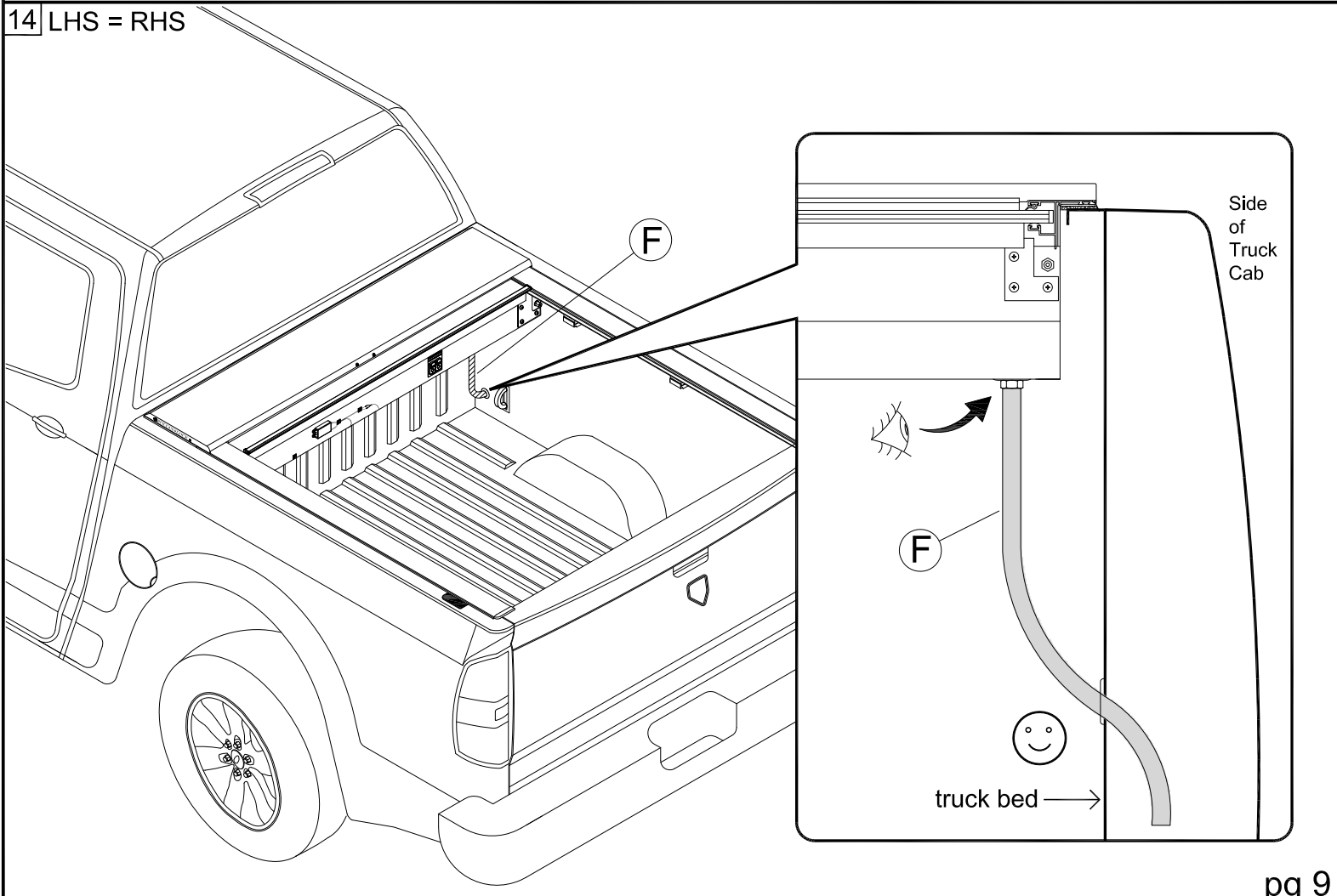
12 LHS = RHS



13 LHS = RHS



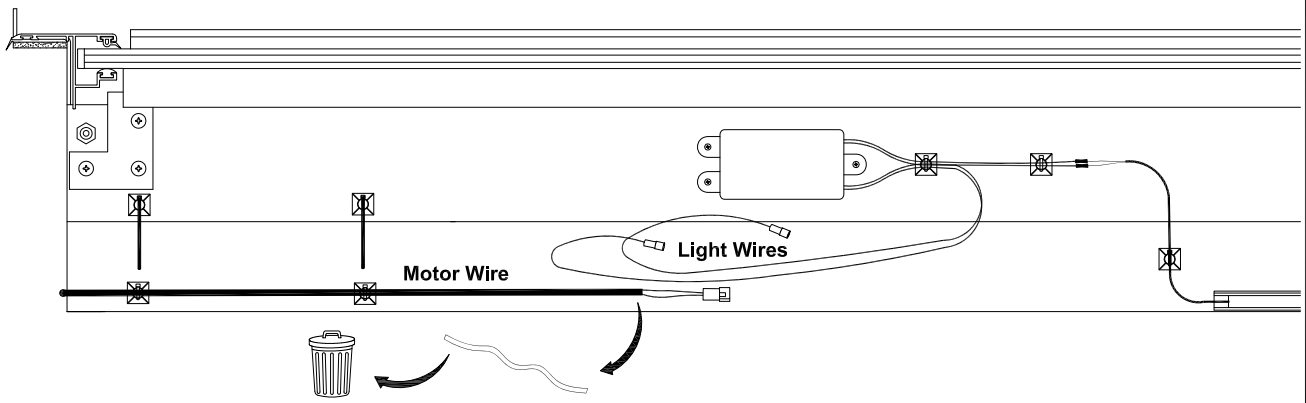
14 LHS = RHS



Powering the unit:

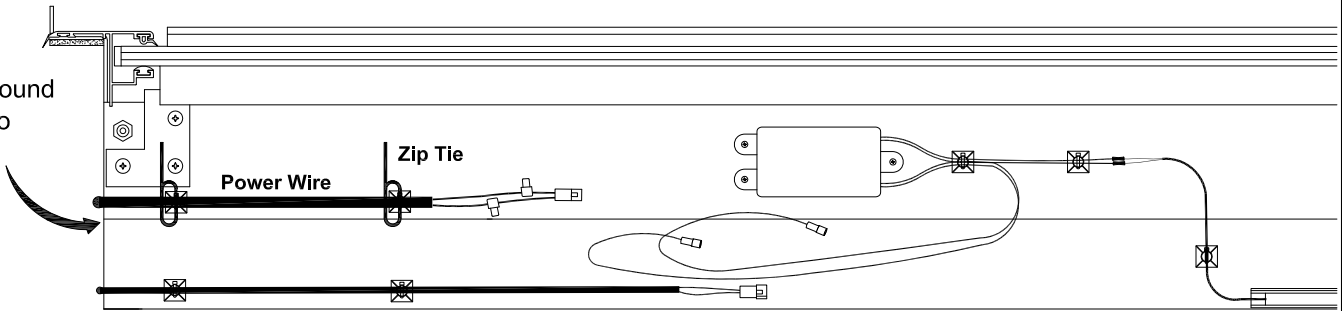
A

Unwrap light wires from motor wire.



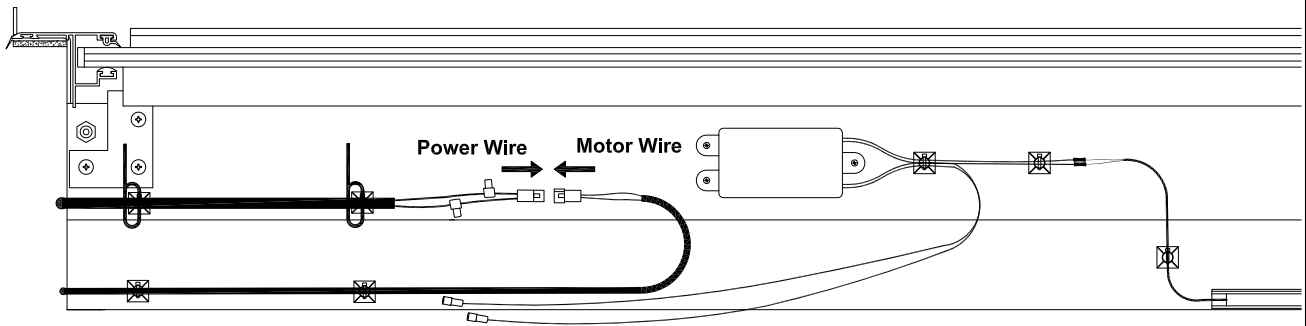
B

Bring power wire around and loosely zip tie to the front of the unit.



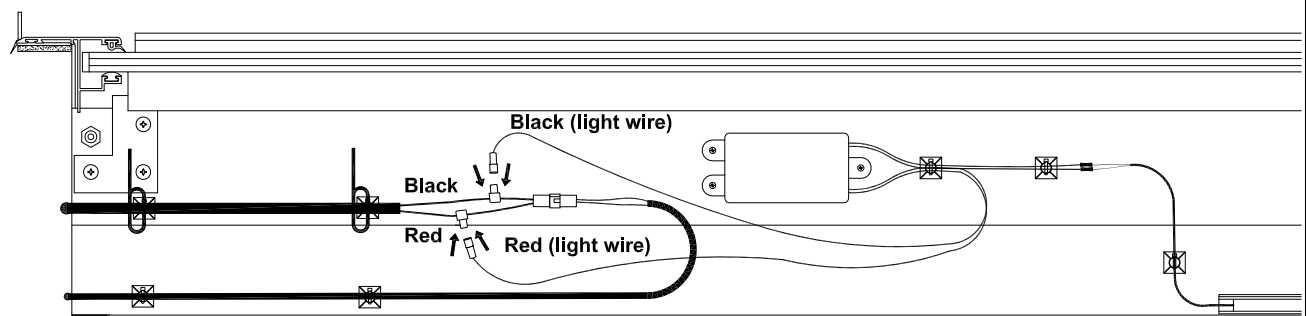
C

Plug motor wire connector into power wire connector.



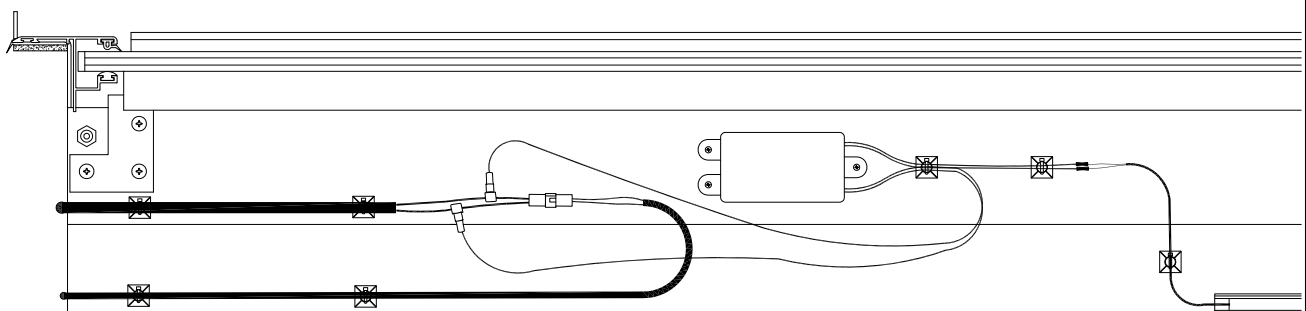
D

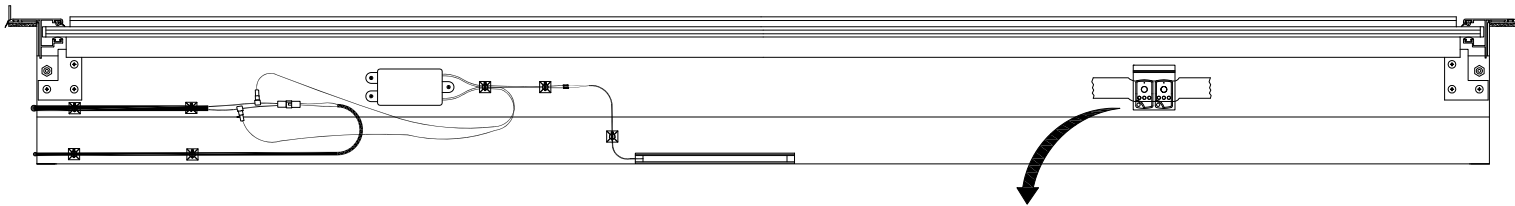
Plug light wire connectors into power wire connectors.



E

Position motor wire tighten zip ties and trim.

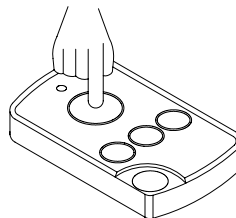




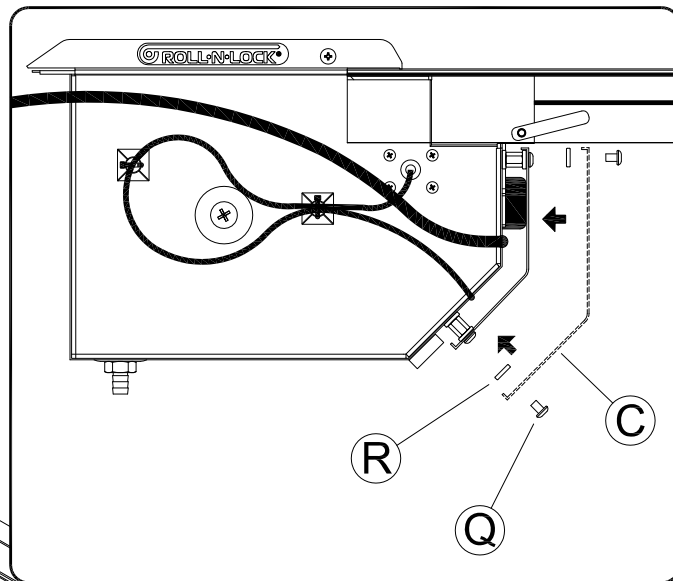
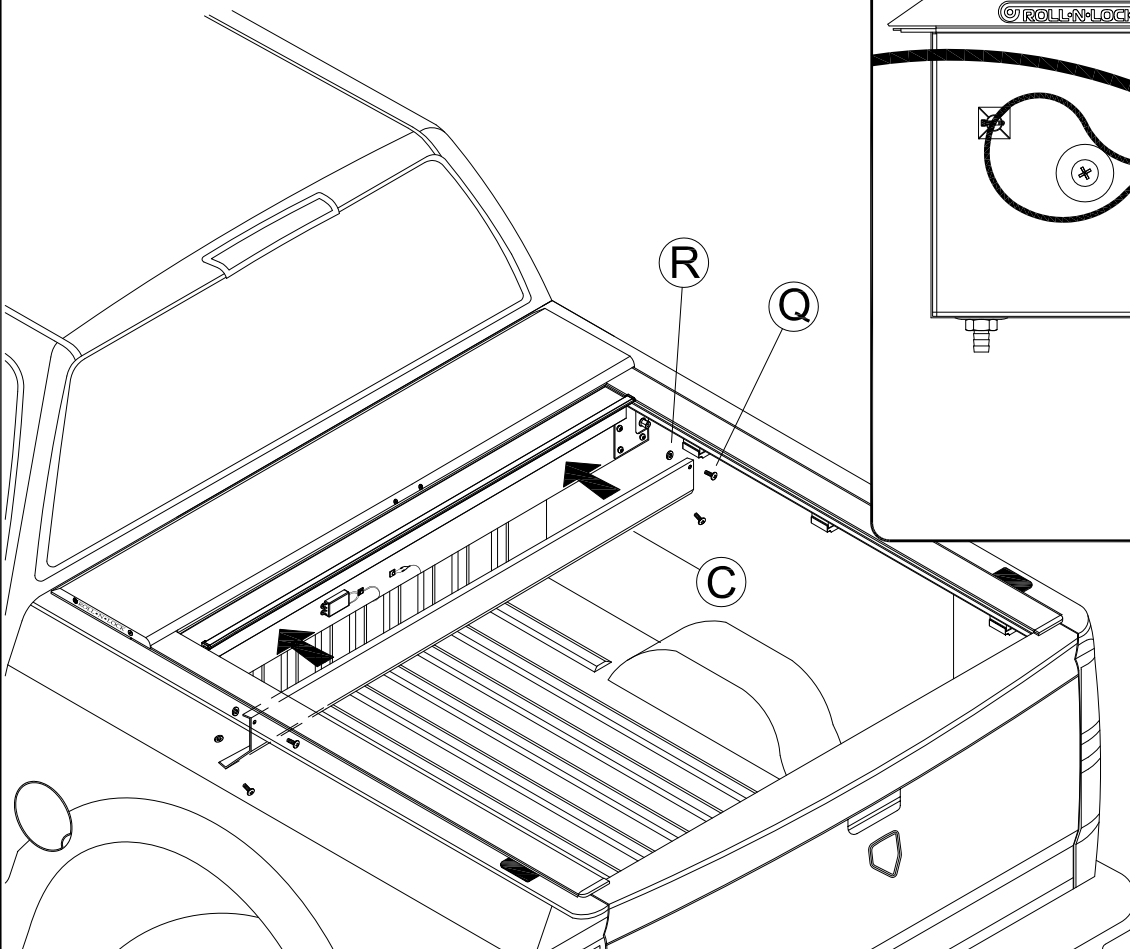
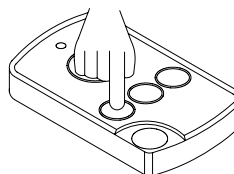
- Remove remotes from housing.

Operating the system:

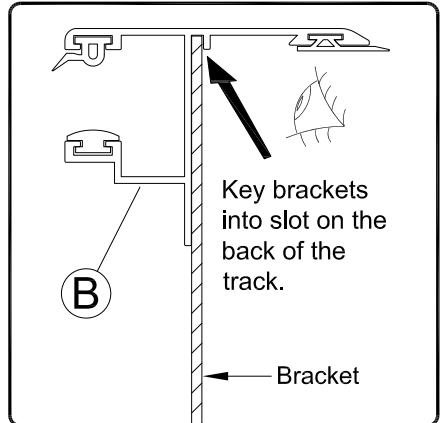
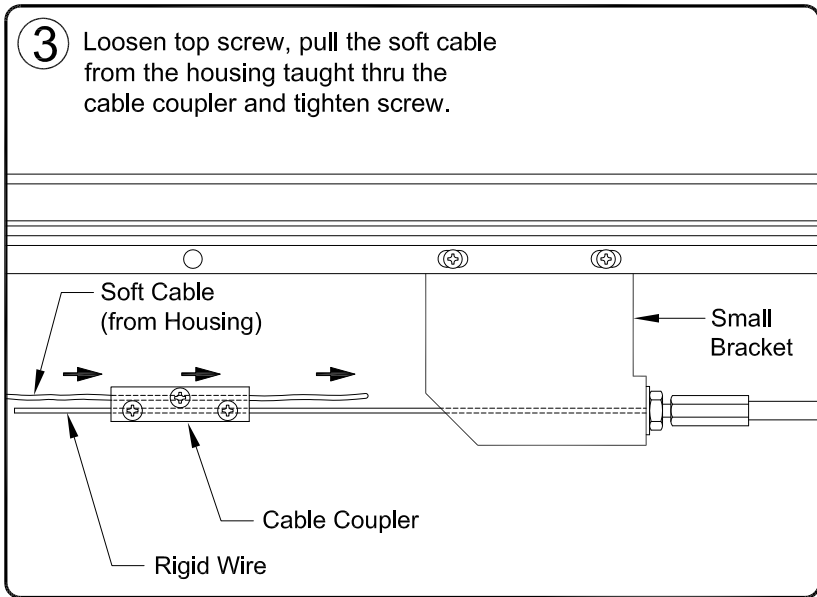
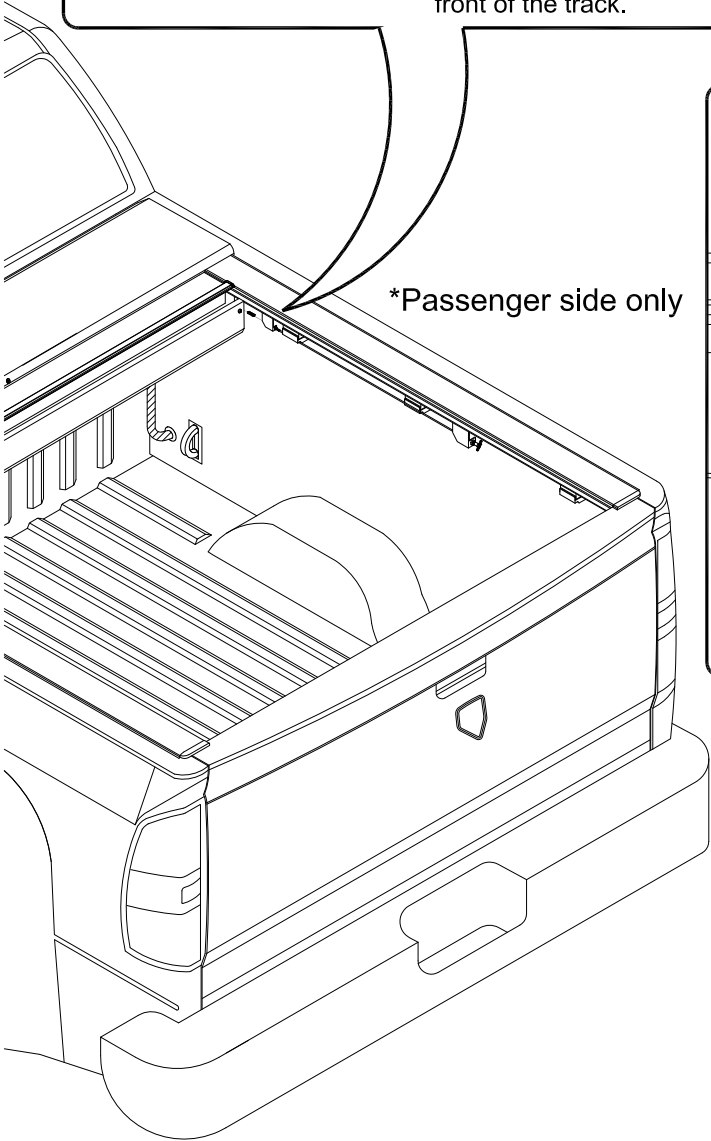
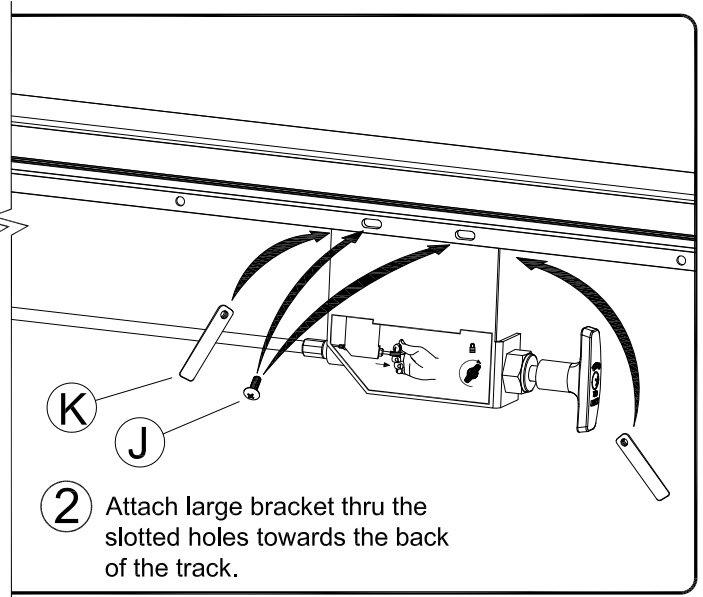
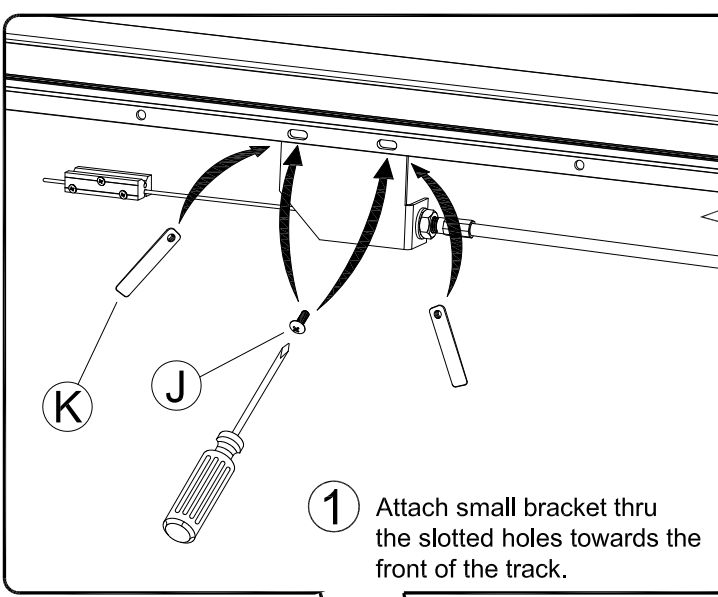
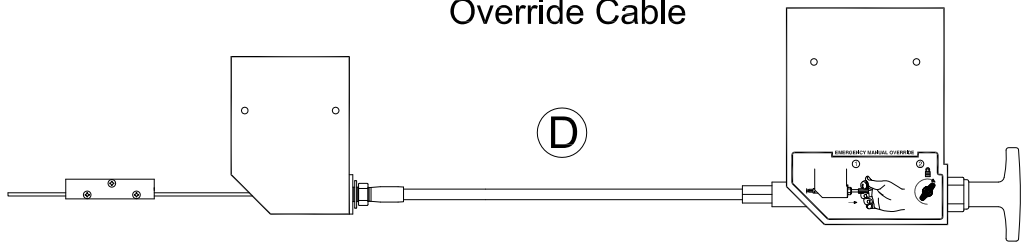
- Push the large button to run cover.
- Push the large button to stop the cover.
- Cover will stop automatically at tailgate and housing.



- Push the small left button to turn light on.
- Push the small left button to turn light off.
- Light will automatically turn off in 3 minutes.

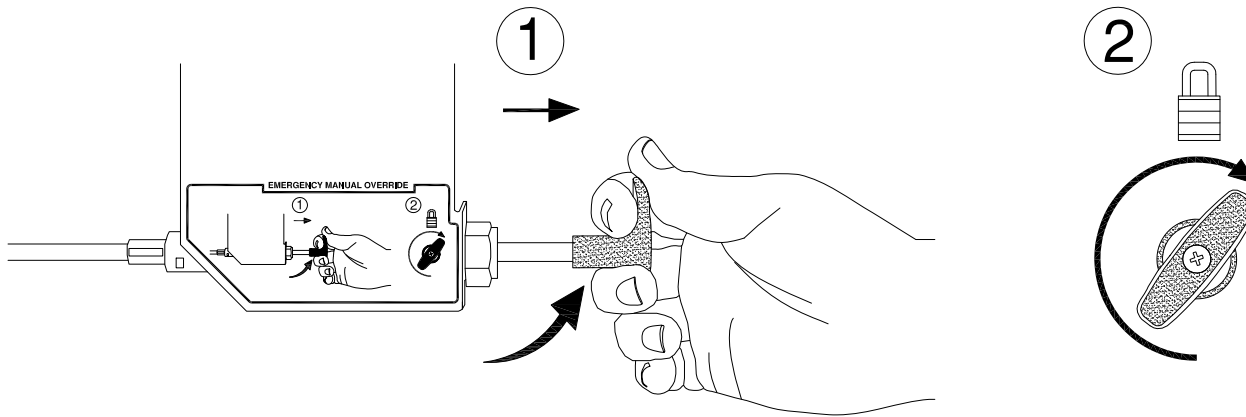


Override Cable



Operating the override:

- Use only when the cover is not operating remotely.
- Pull the lever and turn to lock in place, the cover will operate manually.
- Unlock the lever and push back to lock cover.



ROLL•N•LOCK®

Any questions please call Roll•N•Lock
Customer Service at 800-952-7655 or rollnlock.com