

INSTALLATION INSTRUCTIONS

CUSTOMER SERVICE

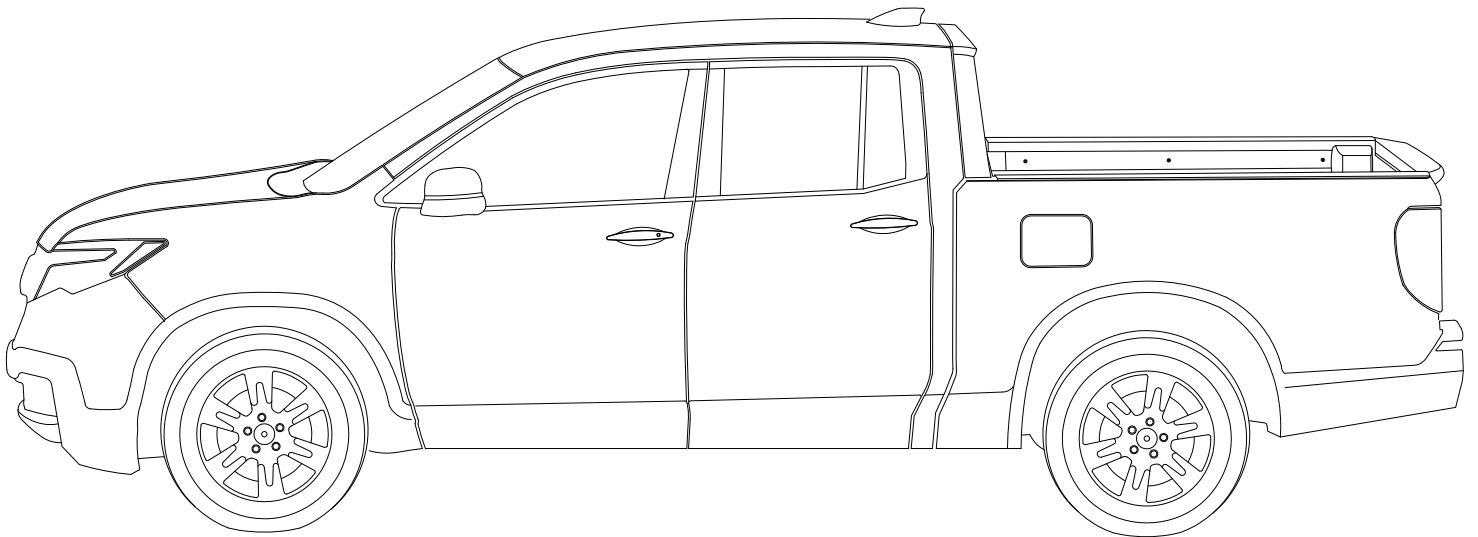
Phone: 800-952-7655 • MON - FRI 8:00 am - 5:00 pm EST

Email: INFO@ROLLNLOCK.COM



Installation Guide

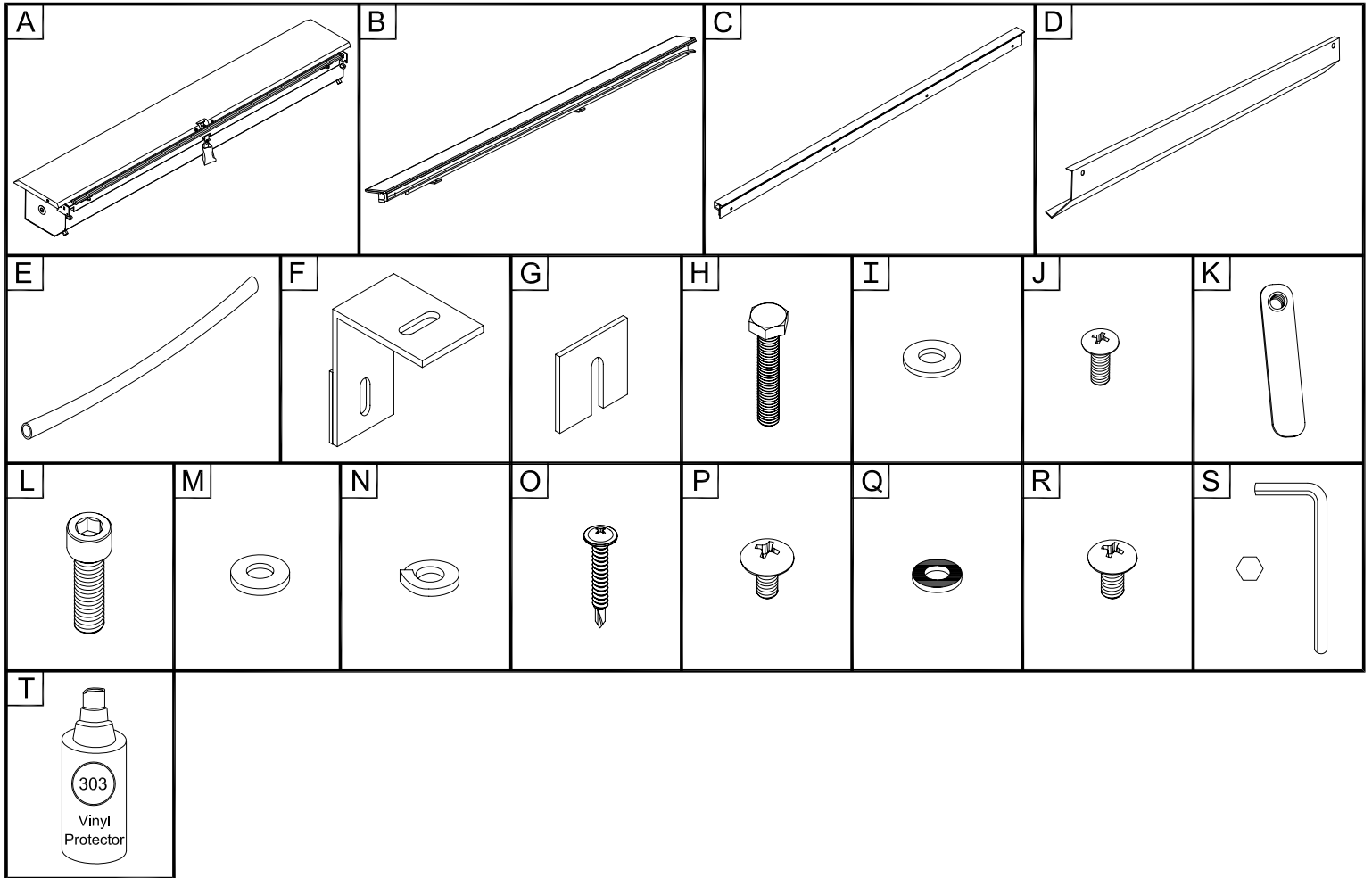
2016 Honda Ridgeline



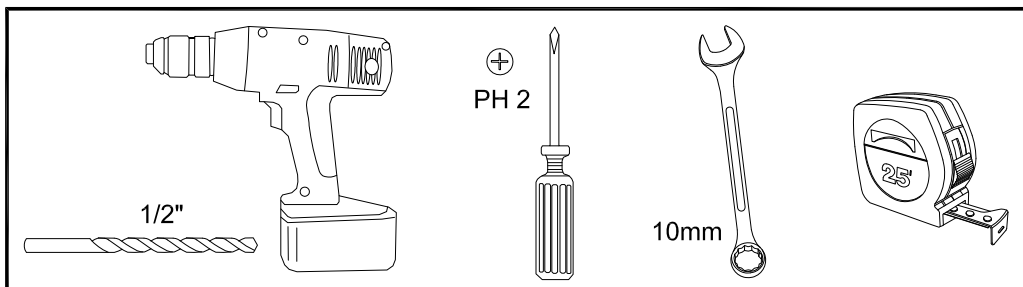
Product Code
721

Parts List

Item	Part Name	Qty.	Item	Part Name	Qty.	Item	Part Name	Qty.
A	Housing	1	G	Track Angle Shim	2	M	5/16" Flat Washer	4
B	Track	2	H	6mm Hex Bolt	4	N	5/16" Lock Washer	4
C	Tailgate Extrusion	1	I	6mm Flat Washer	4	O	#8 x 1 1/4" Self Tap Screw	4
D	Cargo Shield	1	J	#10-24 x 1/2" Screw	2	P	1/4"-20 x 3/8" Screw	4
E	Drain Tube	2	K	Cargo Nut	2	Q	Black Rubber Washer	4
F	Track Angle	4	L	5/16" Socket Cap Screw	4	R	1/4" Lid Screw Black	2
						S	Allen Wrench (1/4")	1
						T	303 Vinyl Protector	1

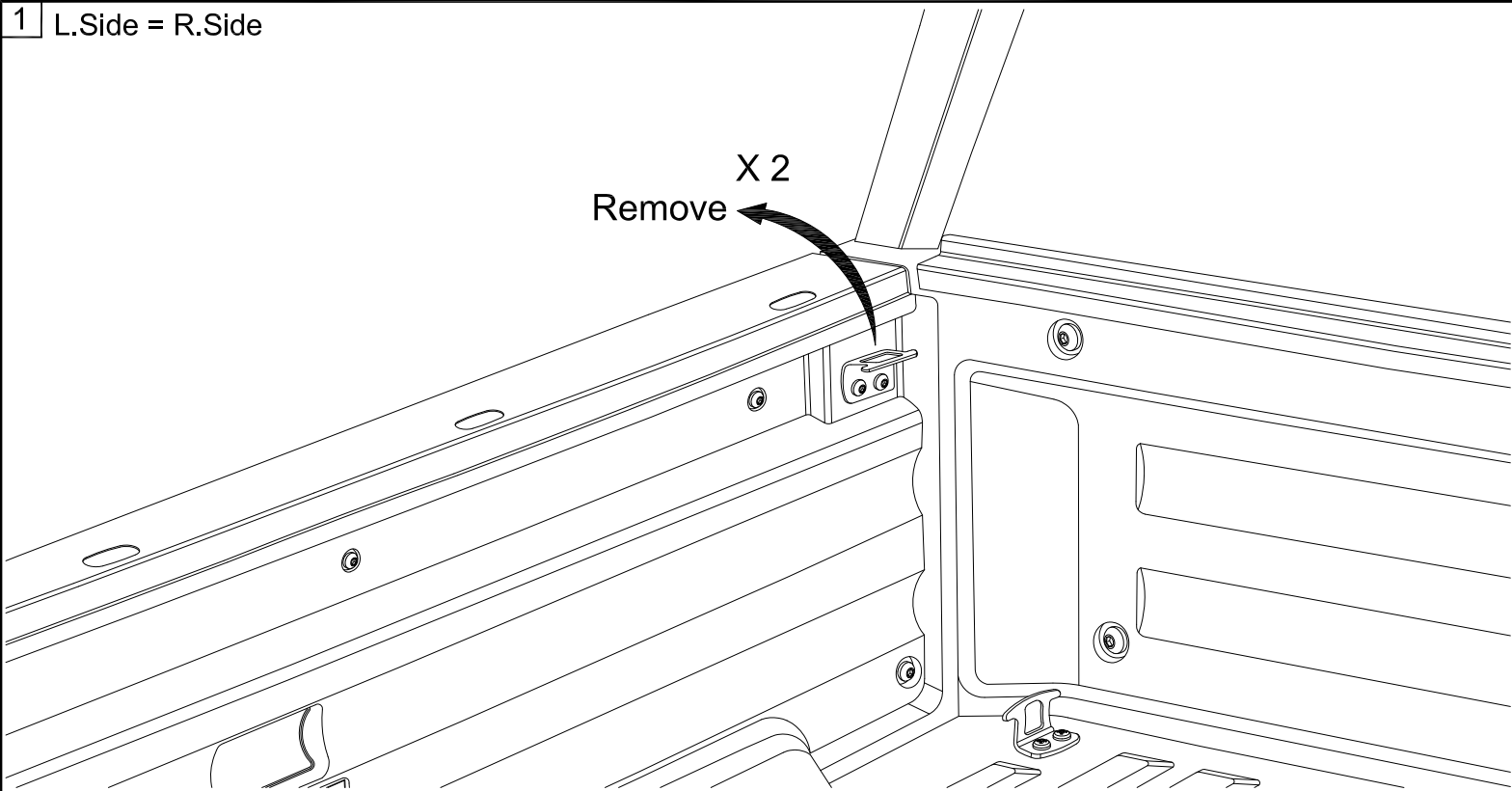


Tools Needed

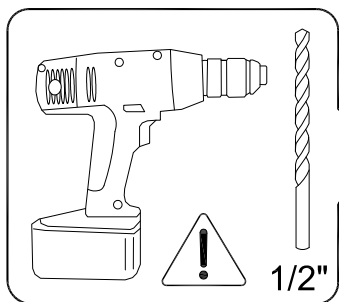


1 L.Side = R.Side

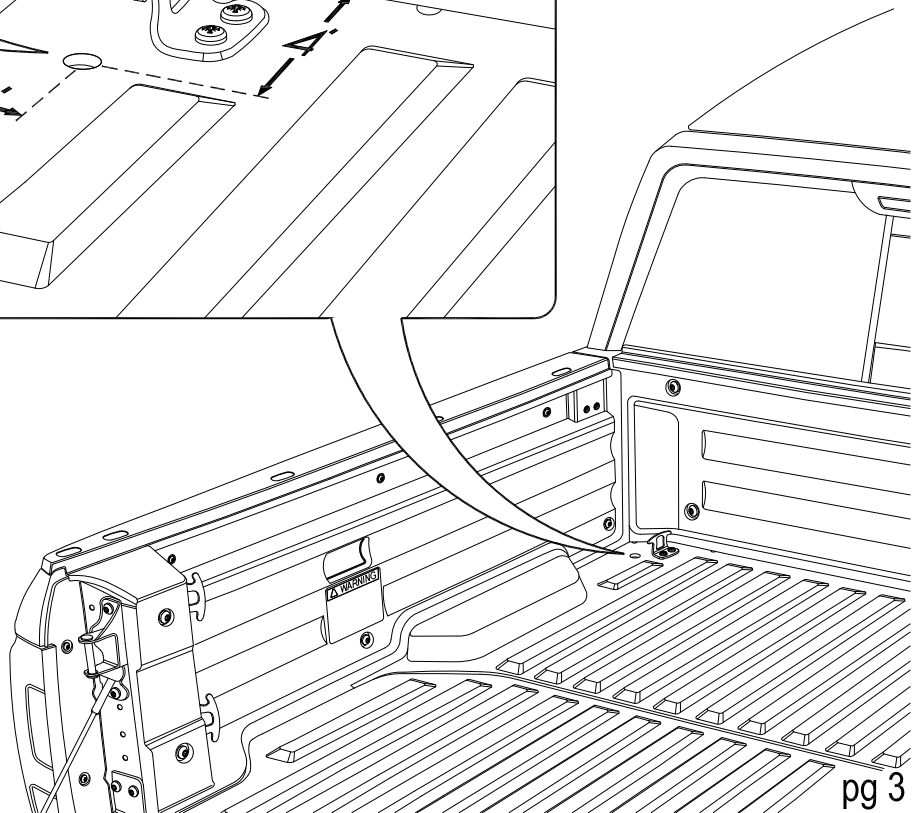
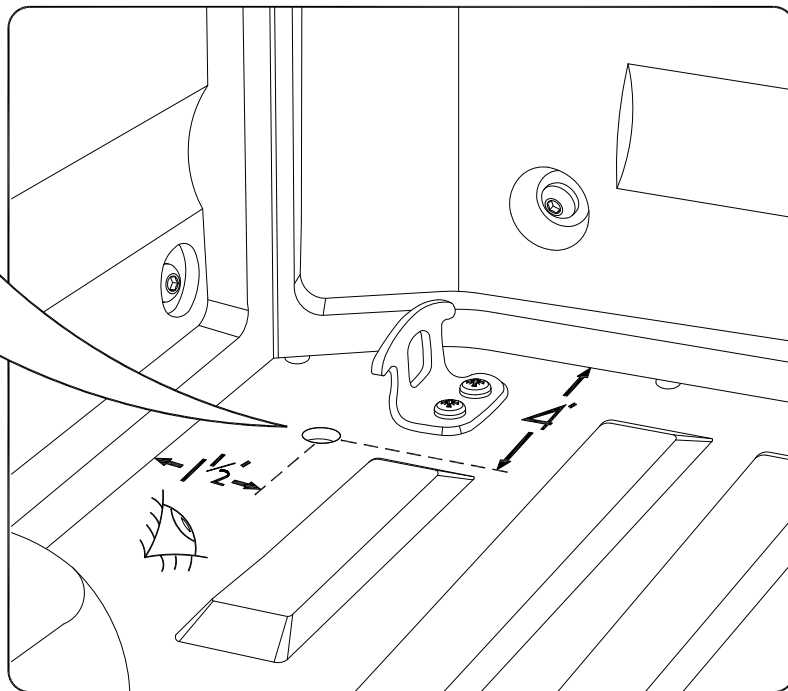
Remove X 2



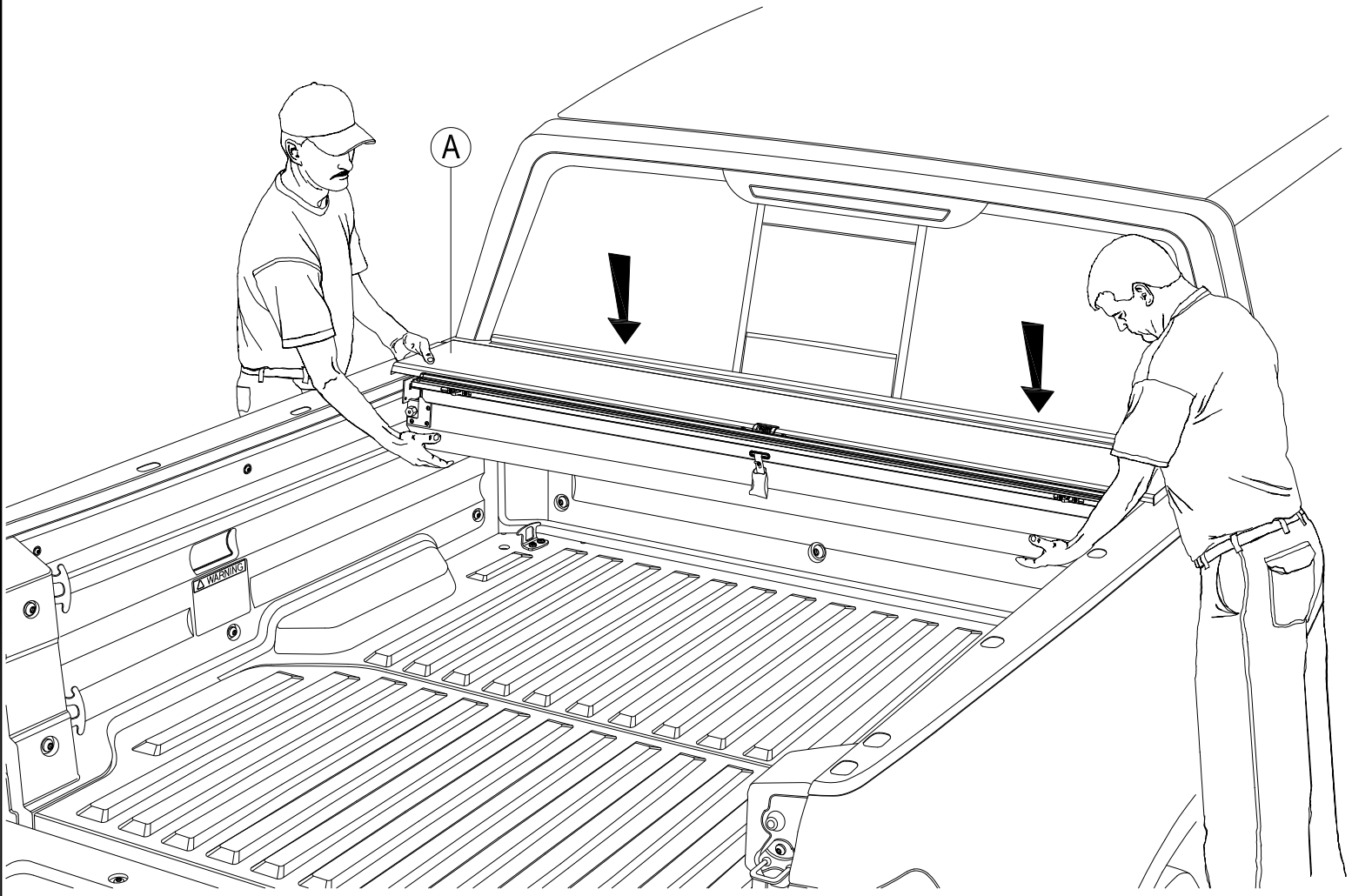
2 L.Side = R.Side



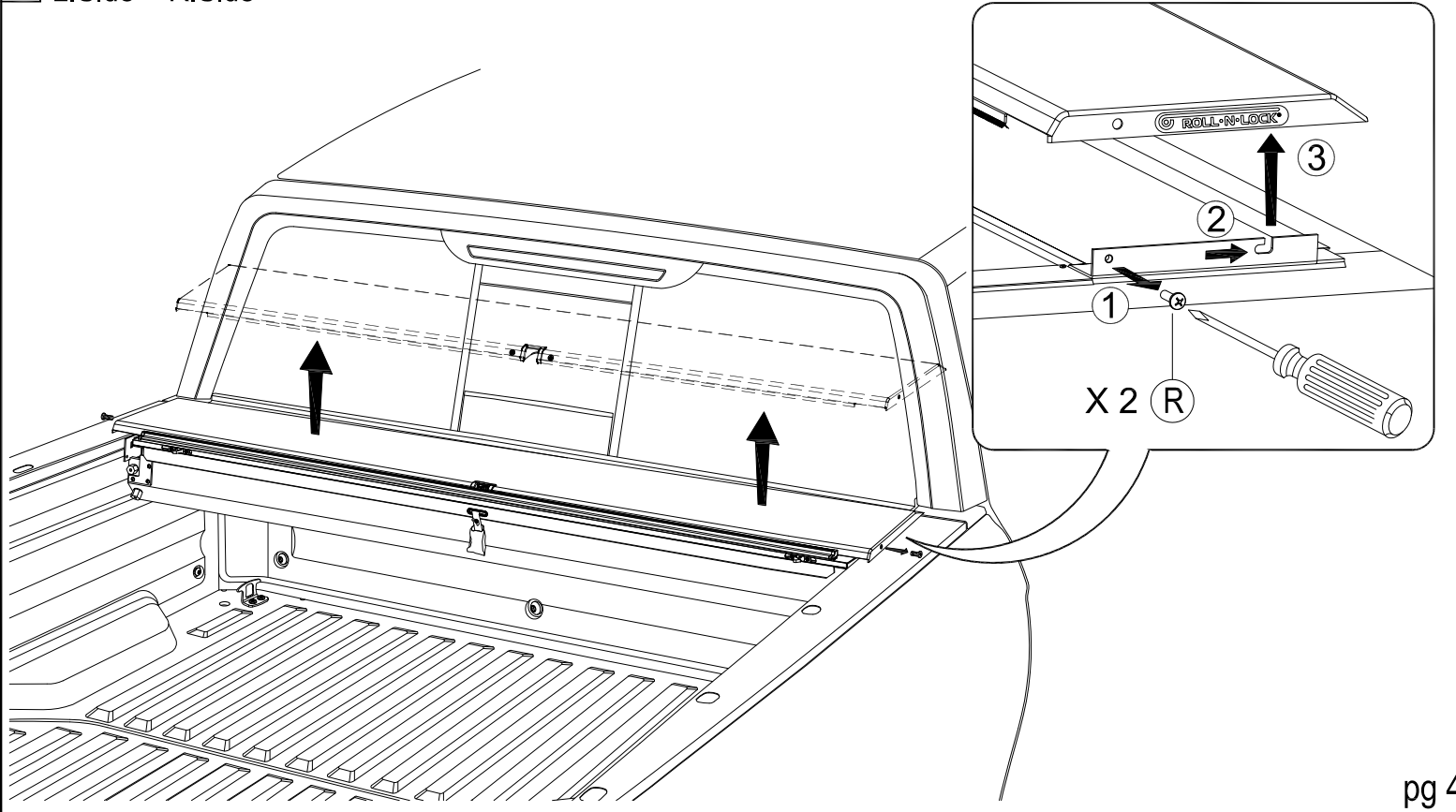
Caution....Drill location for Drain Tubes.



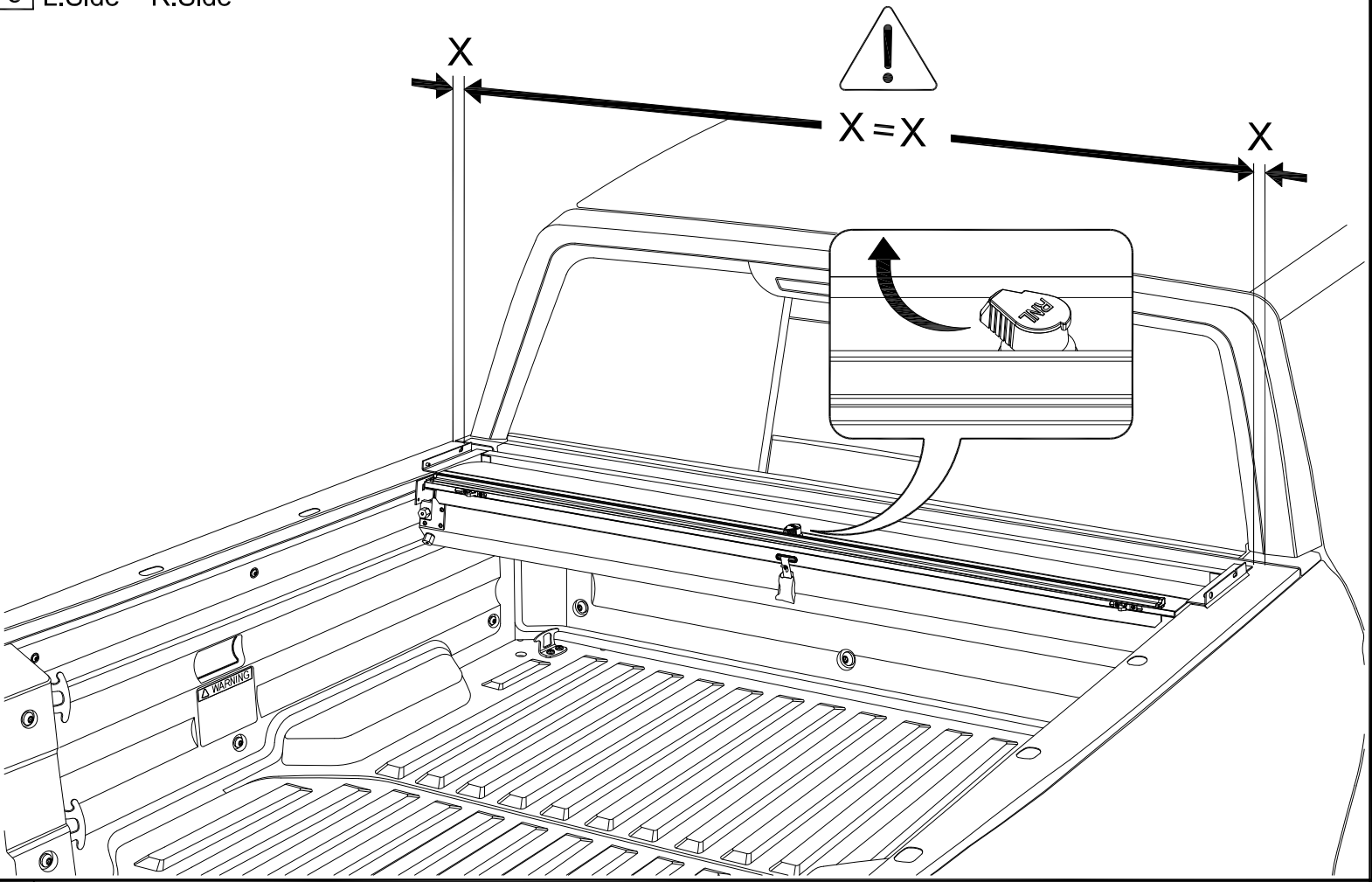
3



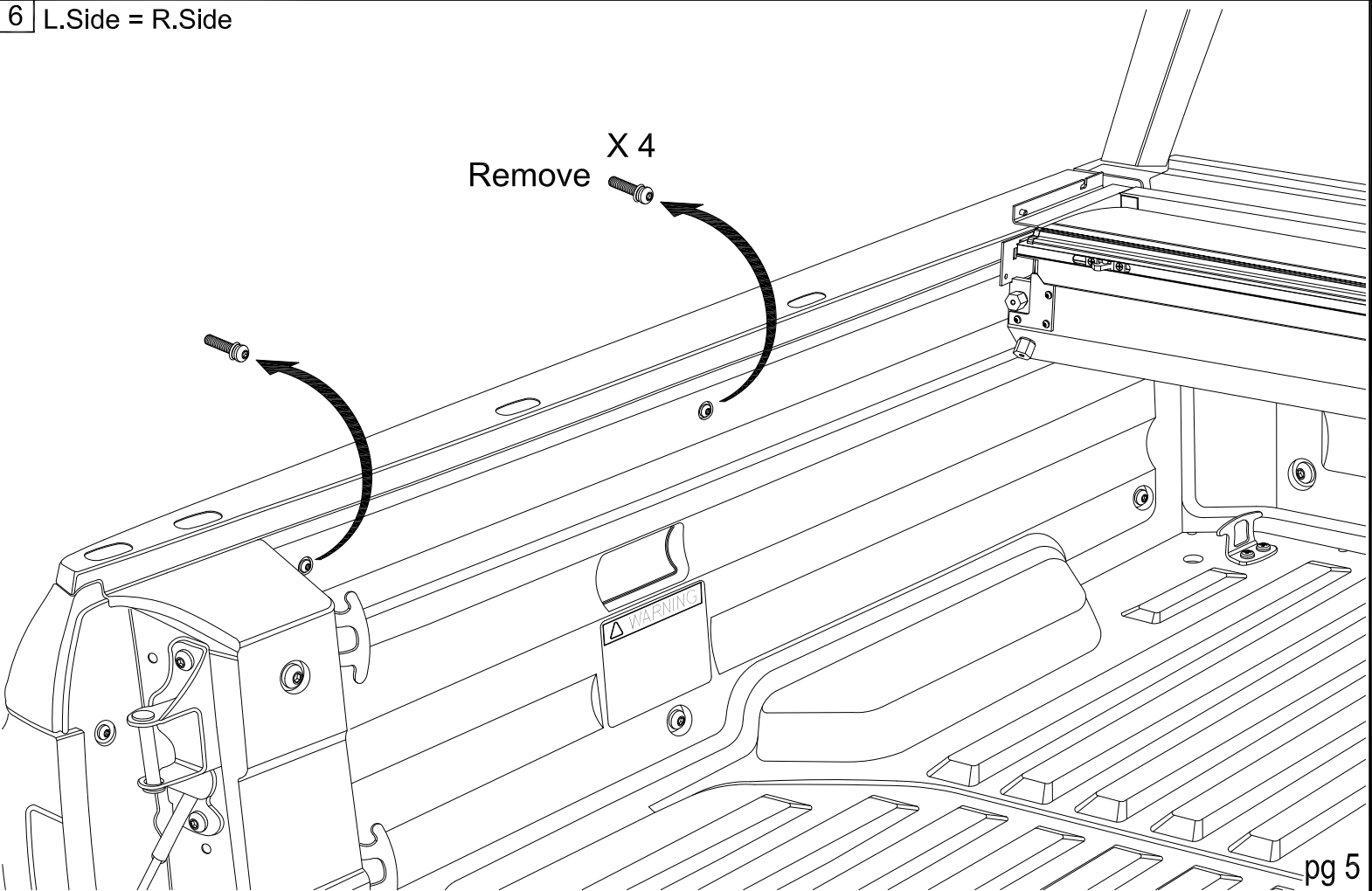
4 L.Side = R.Side



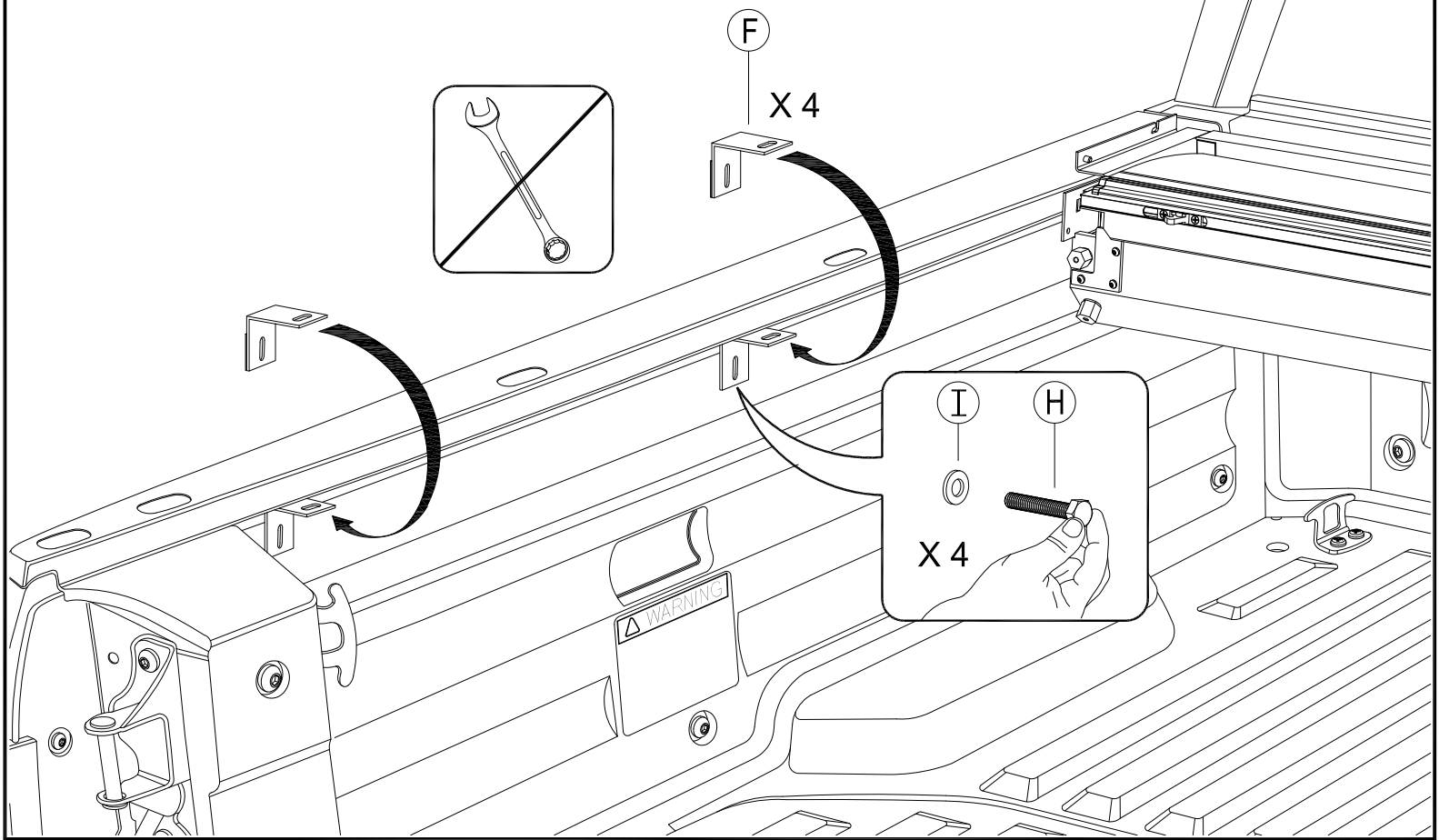
5 L.Side = R.Side



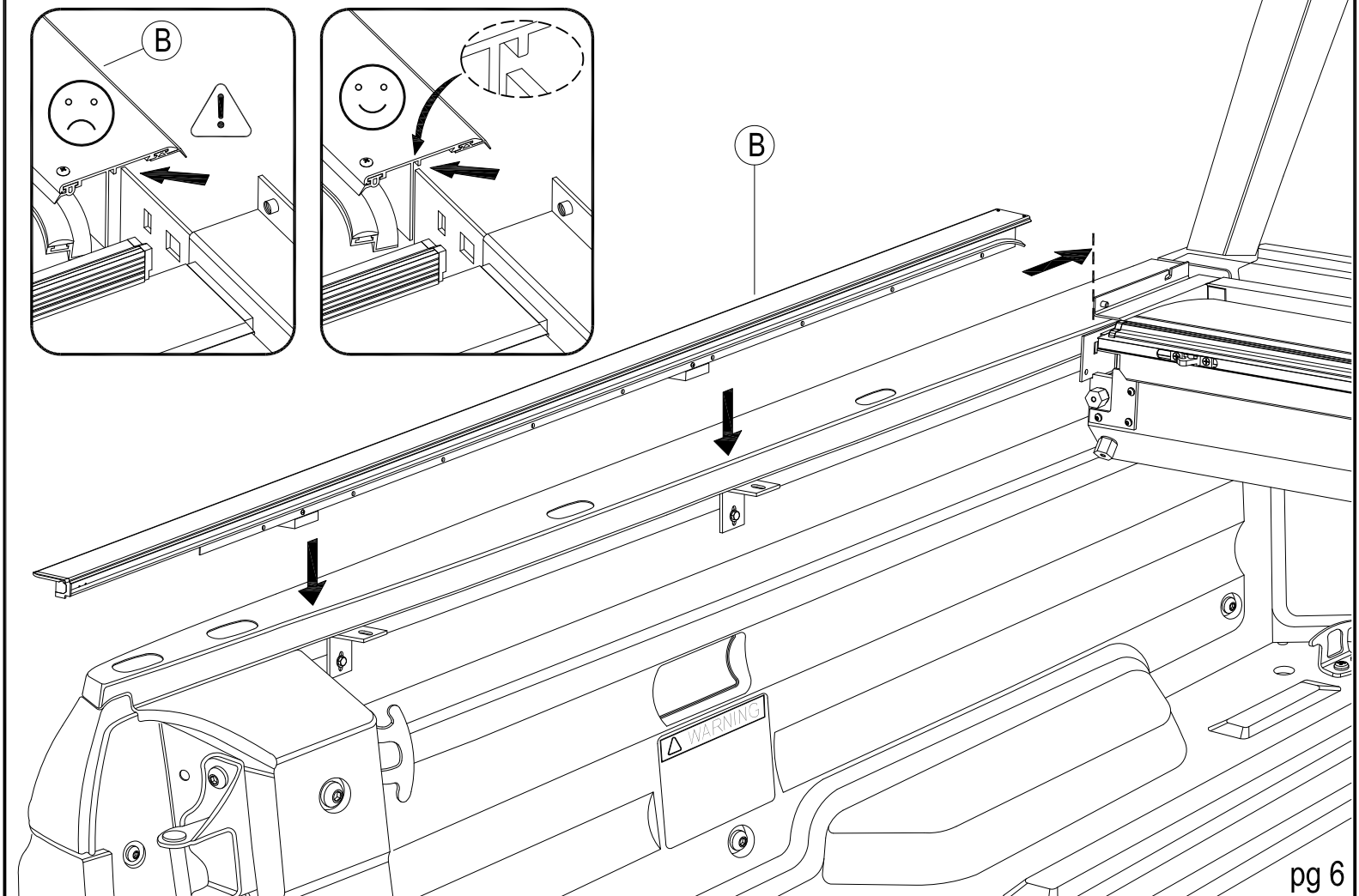
6 L.Side = R.Side



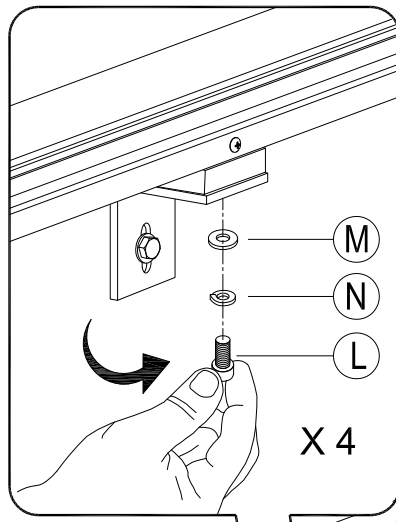
7 L.Side = R.Side



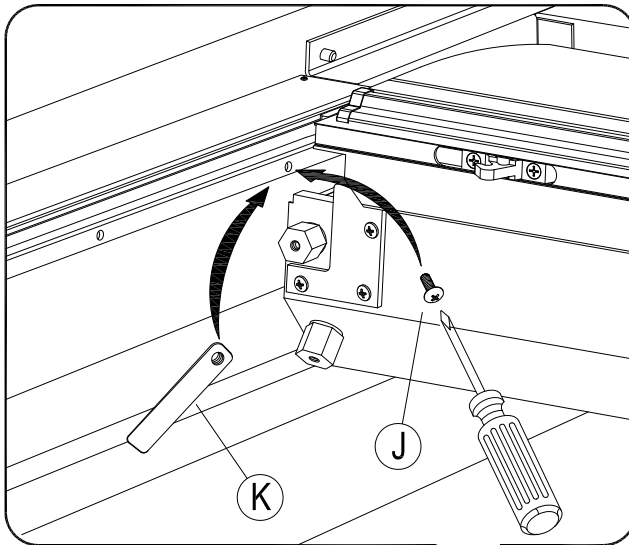
8 L.Side = R.Side



9 L.Side = R.Side

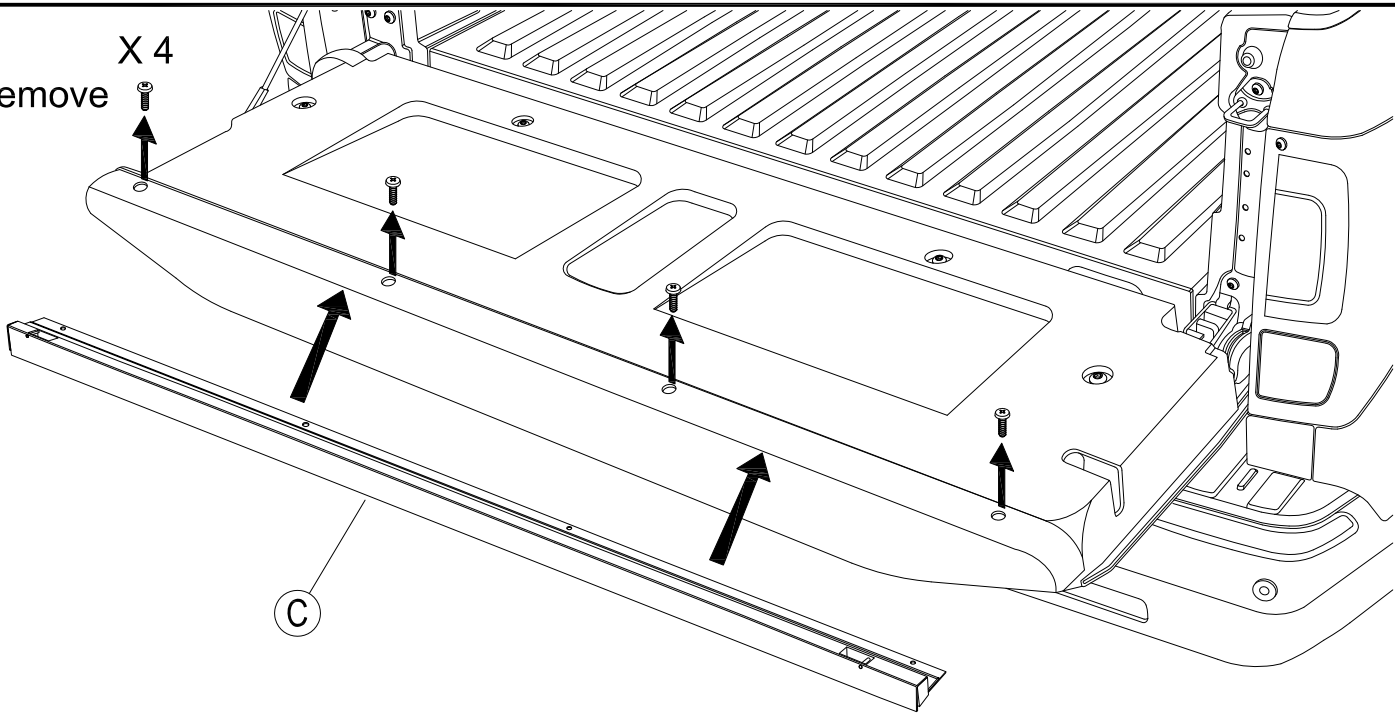


10 L.Side = R.Side

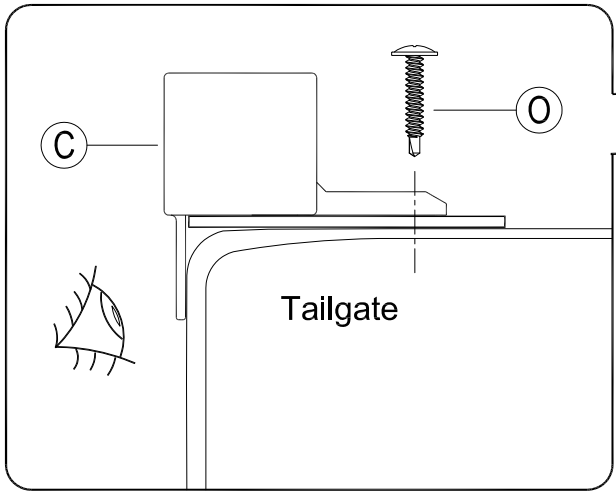
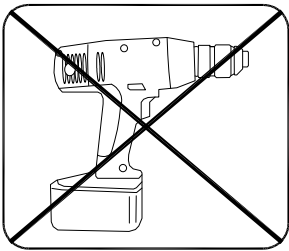
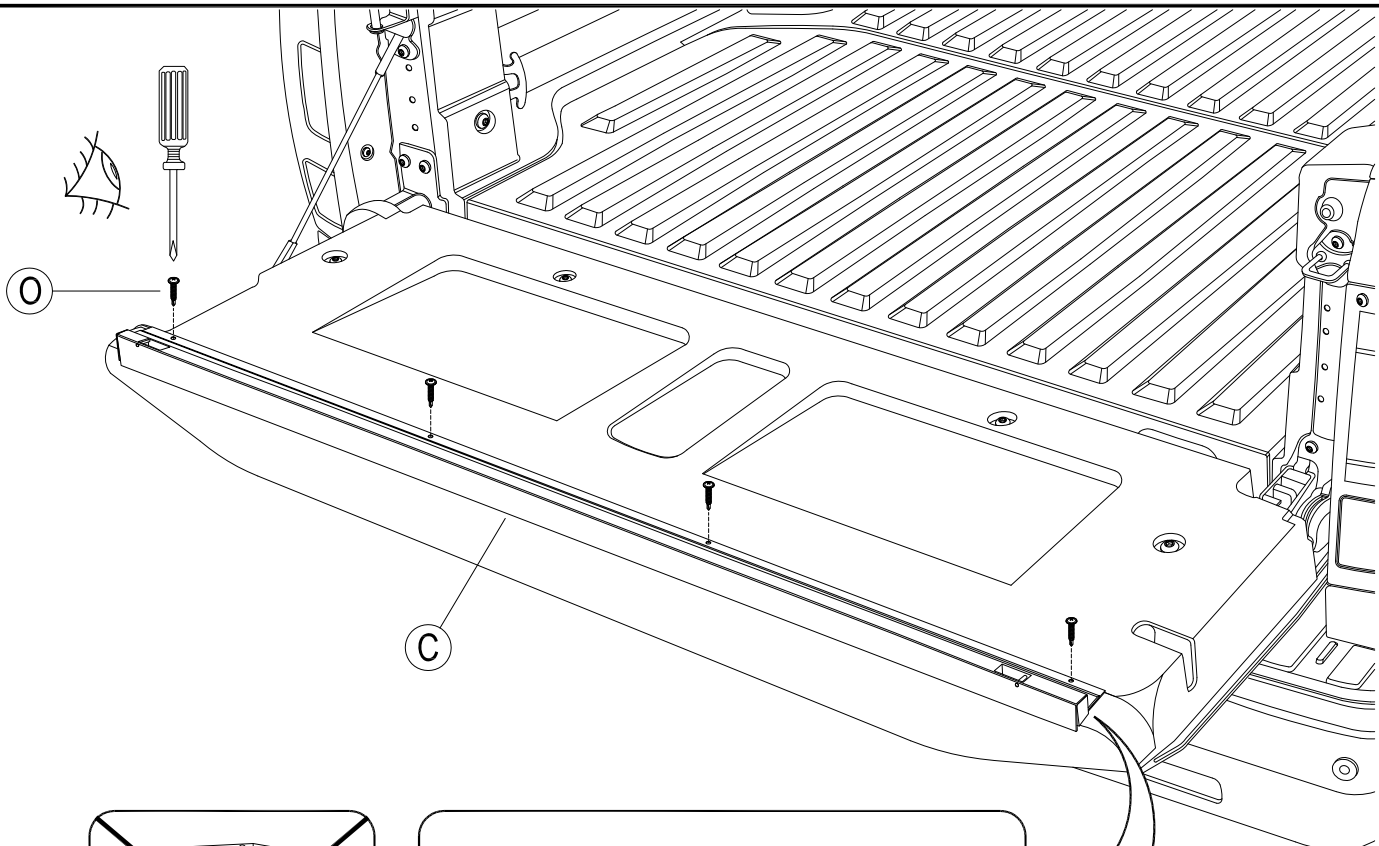


11

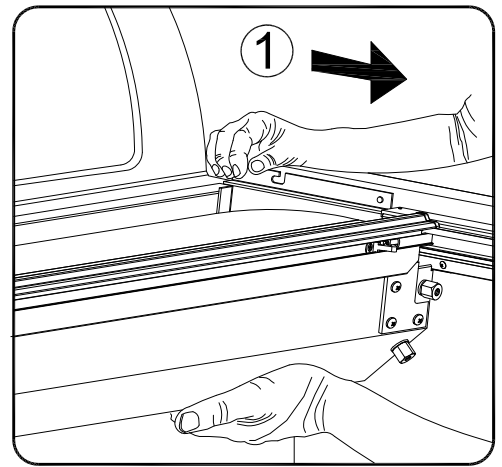
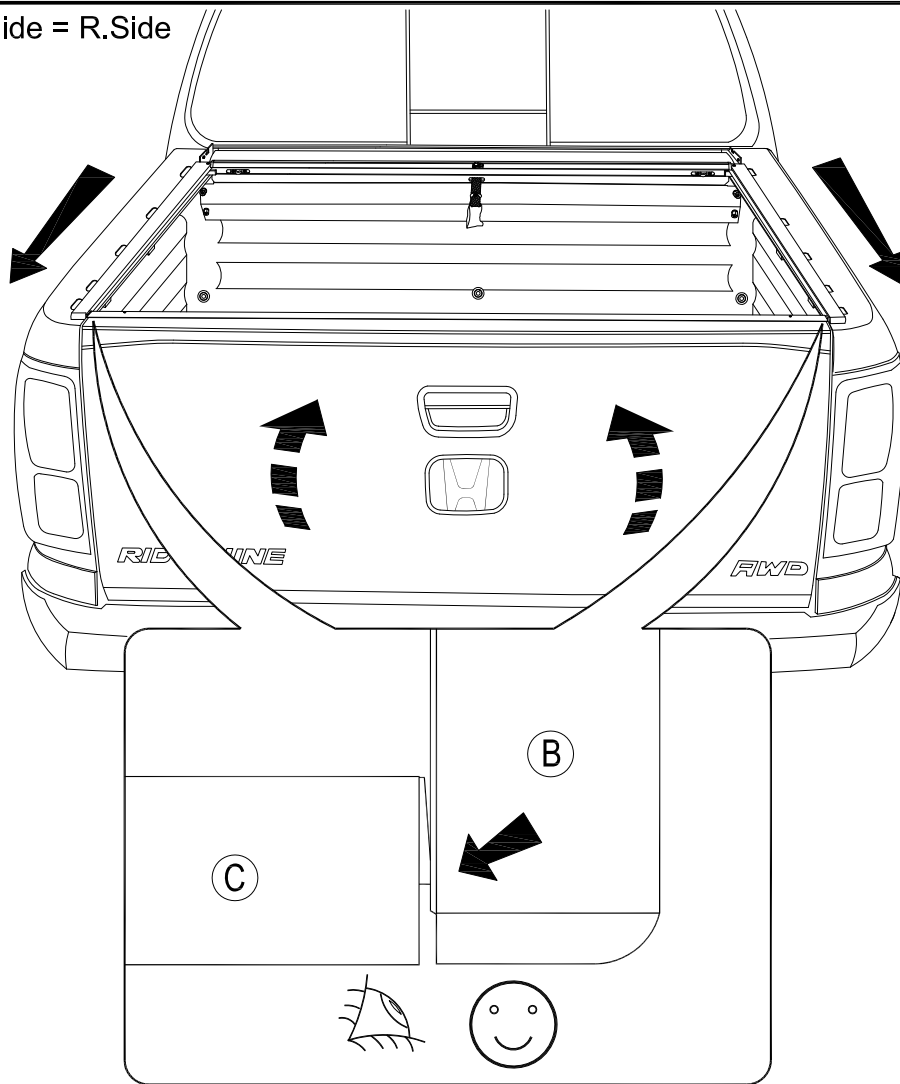
Remove X 4



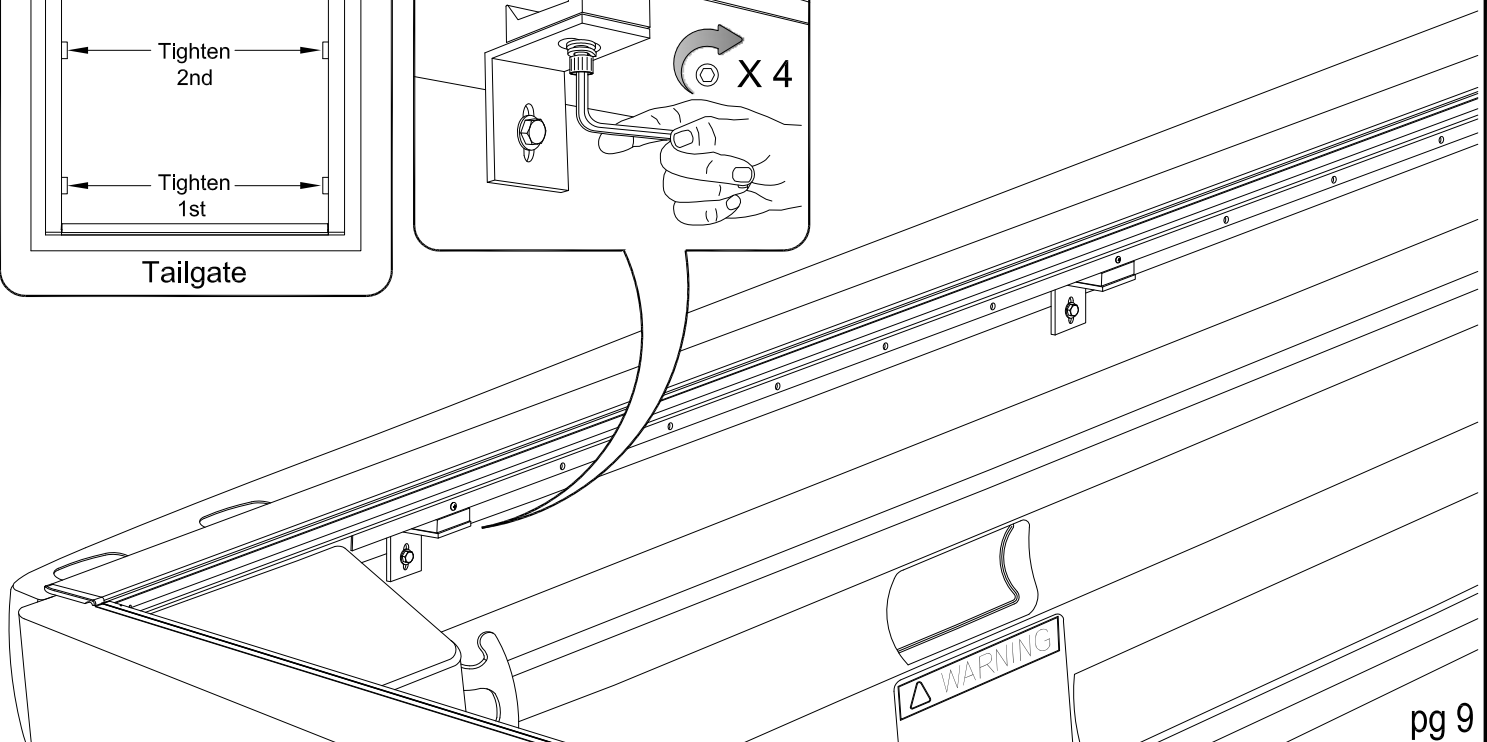
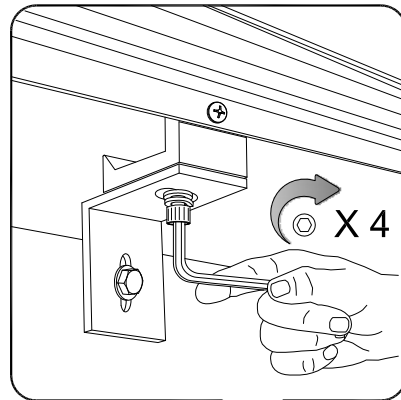
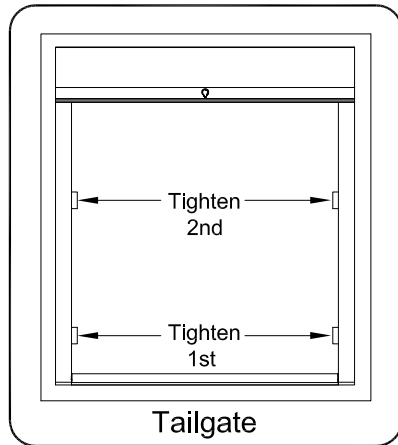
12

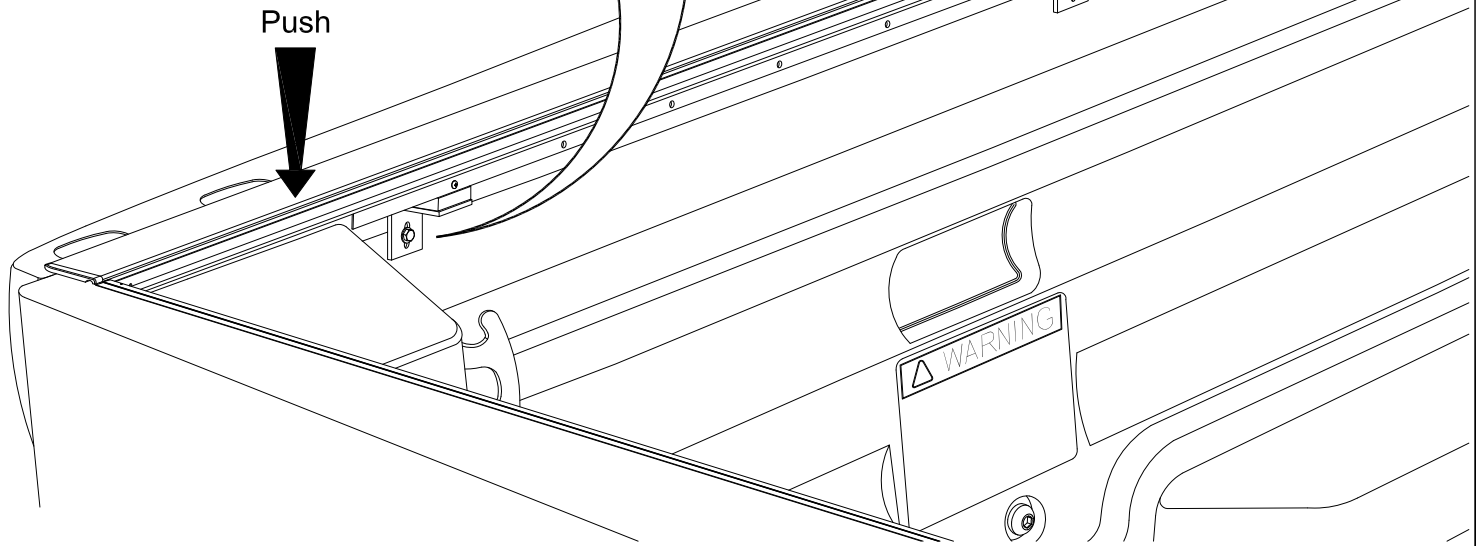
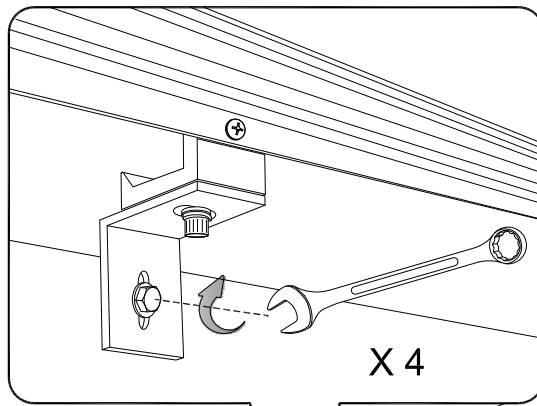
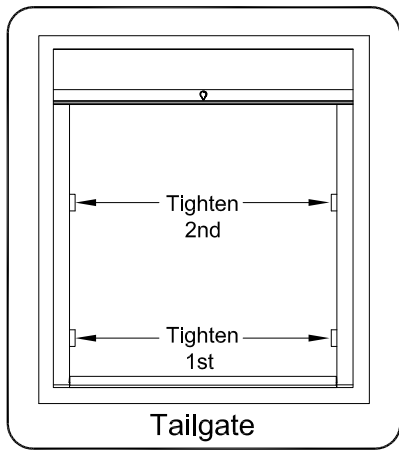


13 L.Side = R.Side

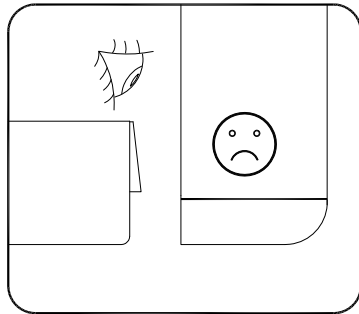


14 L.Side = R.Side

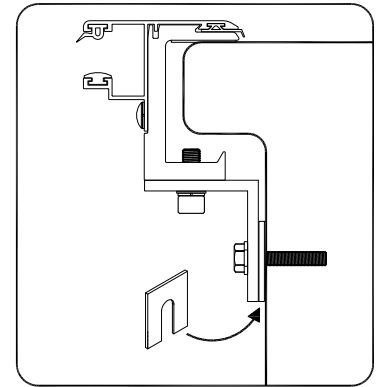




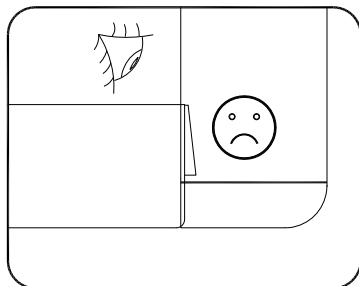
Gap between the track and tailgate extrusion.



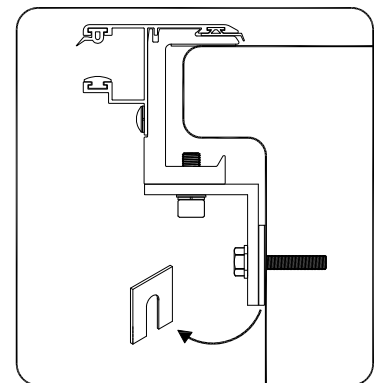
Add supplied shim to rear clamp.



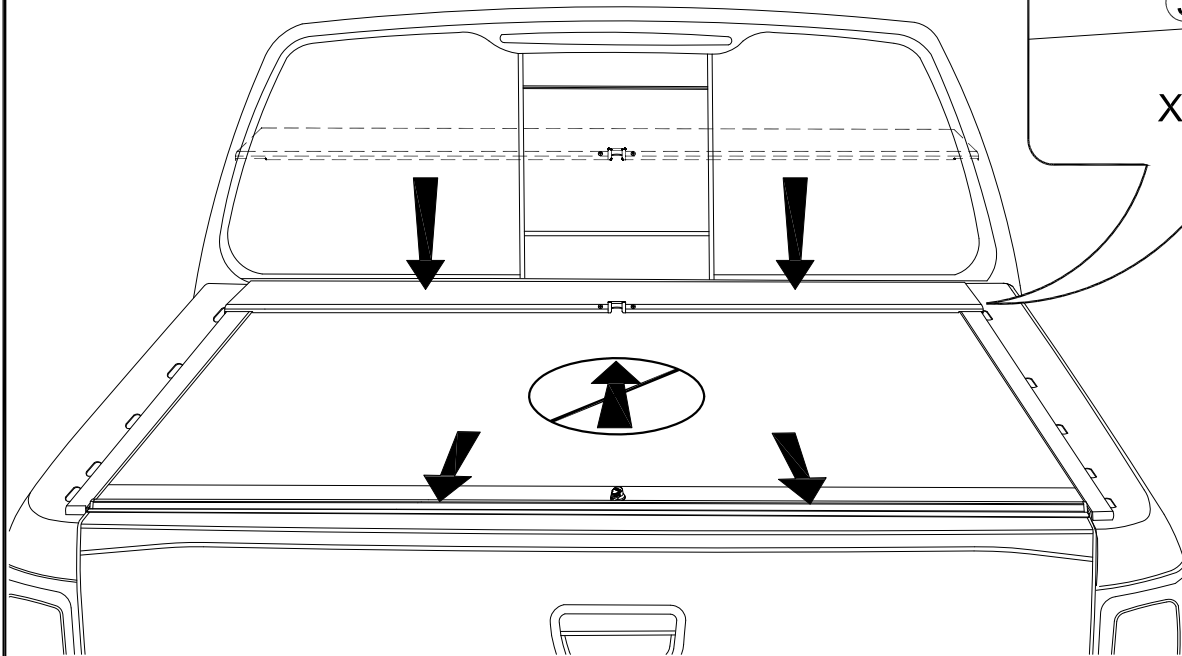
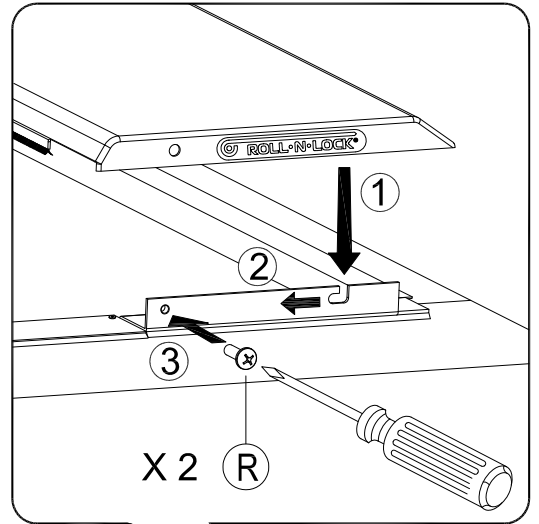
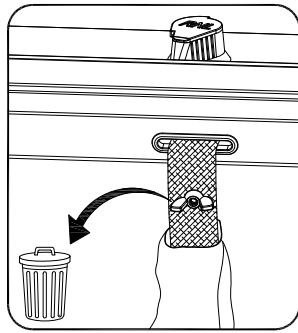
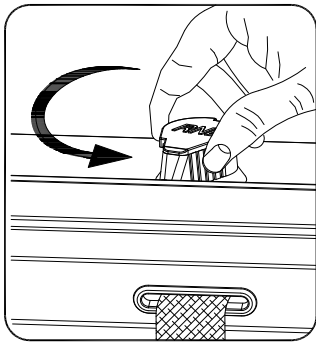
Track hits the tailgate extrusion.



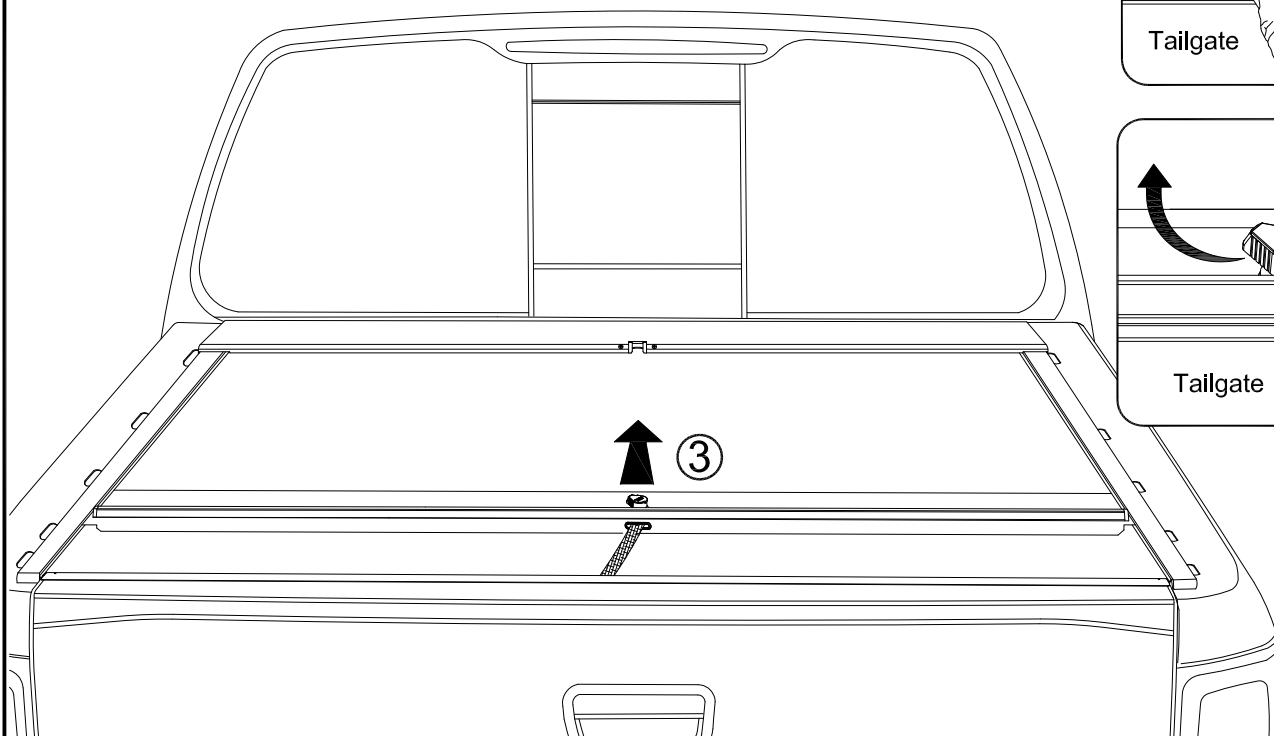
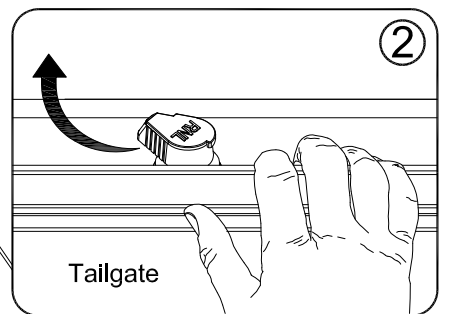
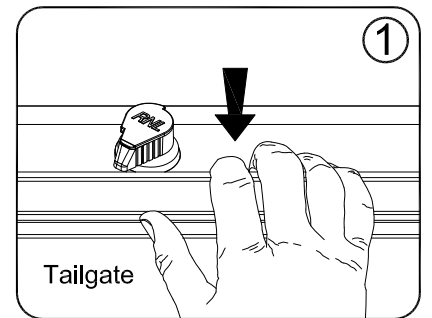
Remove all shims from rear clamps.



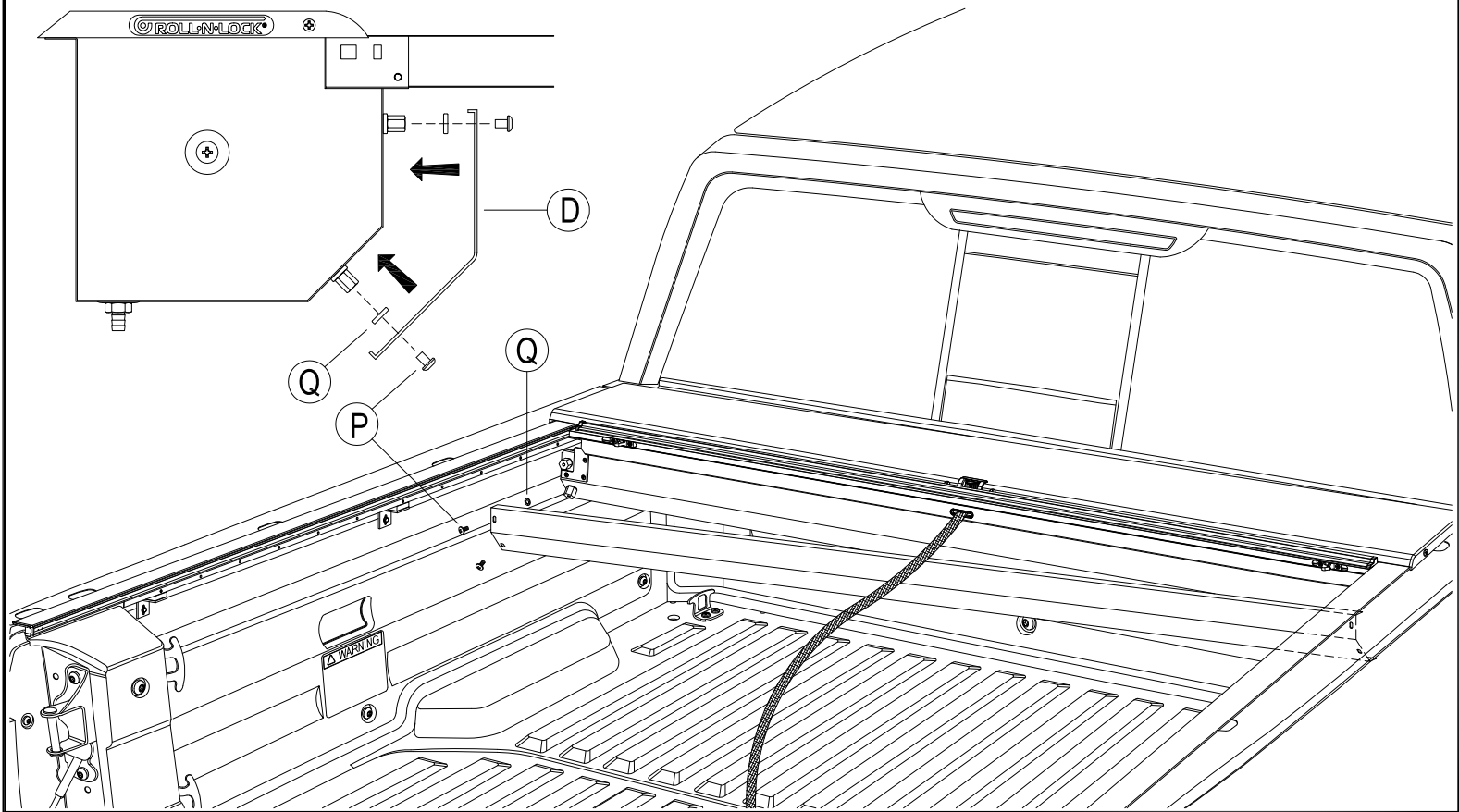
16 LHS = RHS



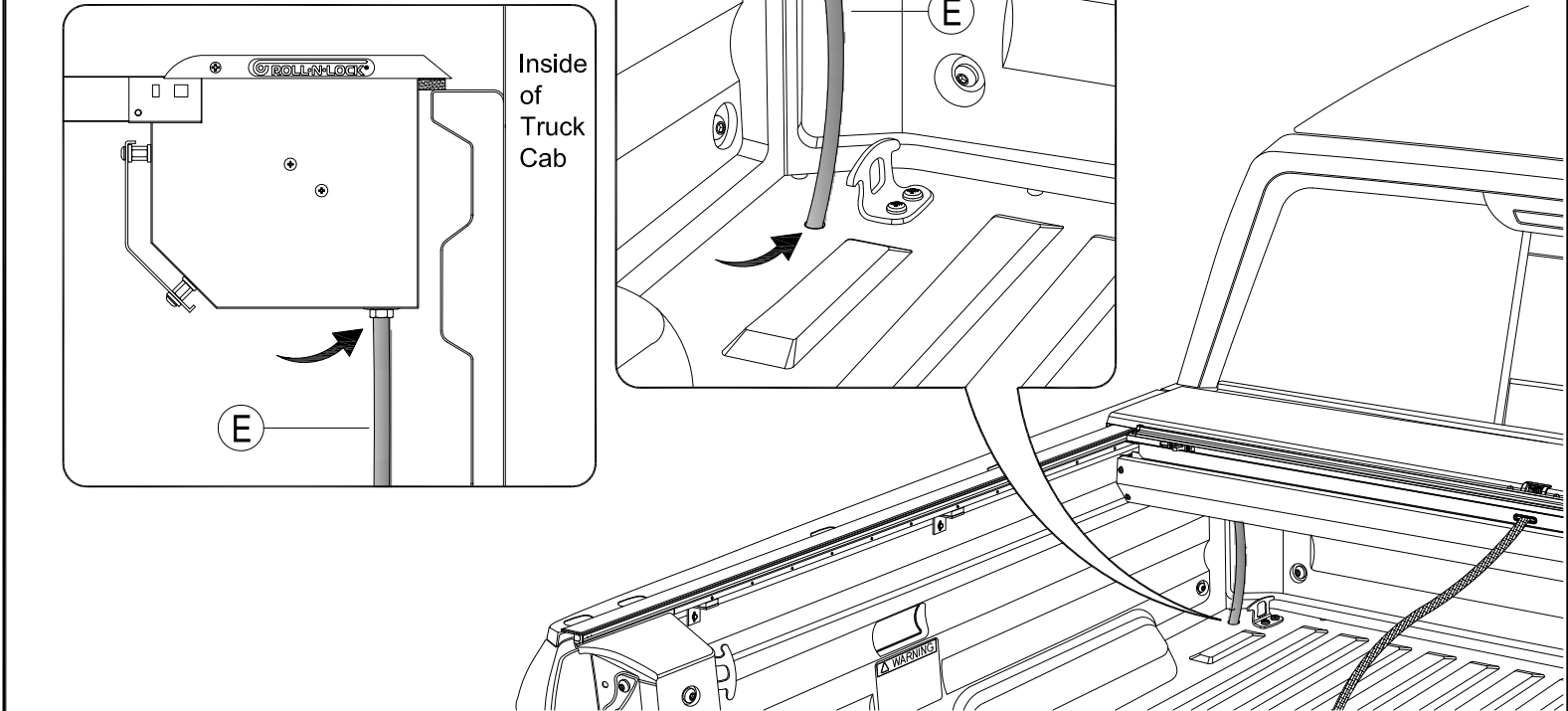
17



18 LHS = RHS



19 LHS = RHS



20



Questions?

Please call Roll•N•Lock Customer Service at 954-785-7655 or visit rollnlock.com

