

INSTALLATION INSTRUCTIONS

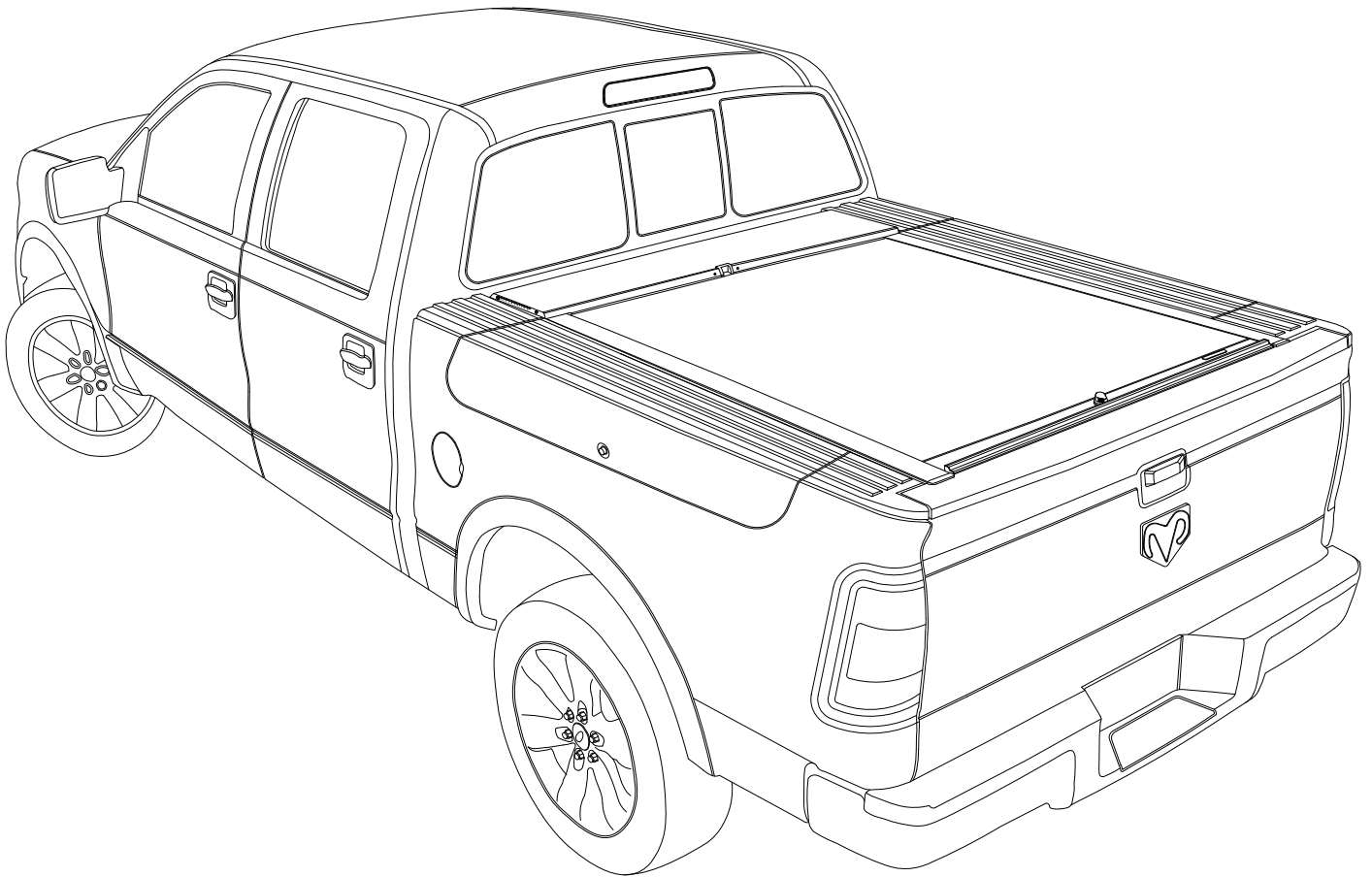
CUSTOMER SERVICE

Phone: 800-952-7655 • MON - FRI 8:00 am - 5:00 pm EST

Email: INFO@ROLLNLOCK.COM



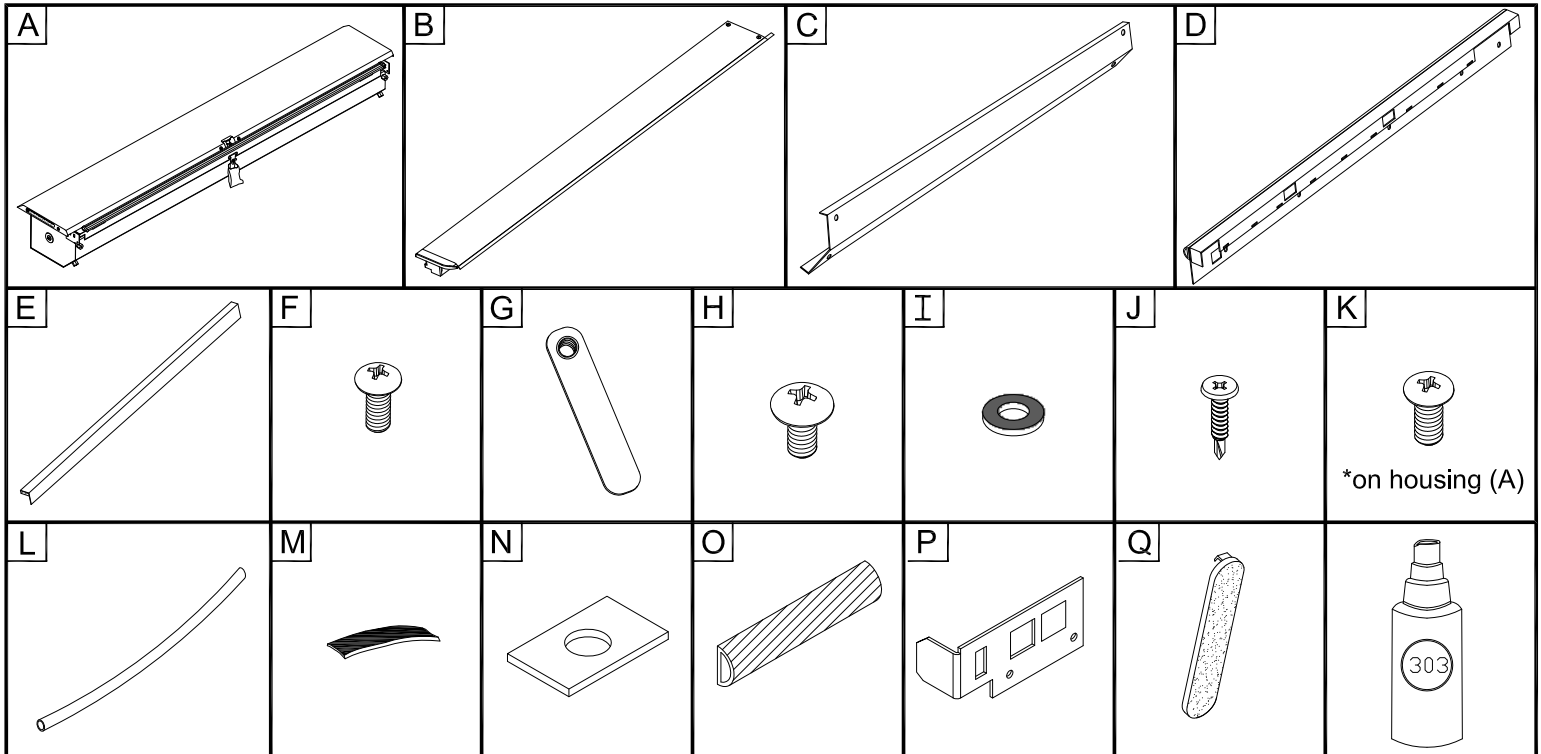
2009 Ram Box
Installation Guide
with tailgate extrusion option



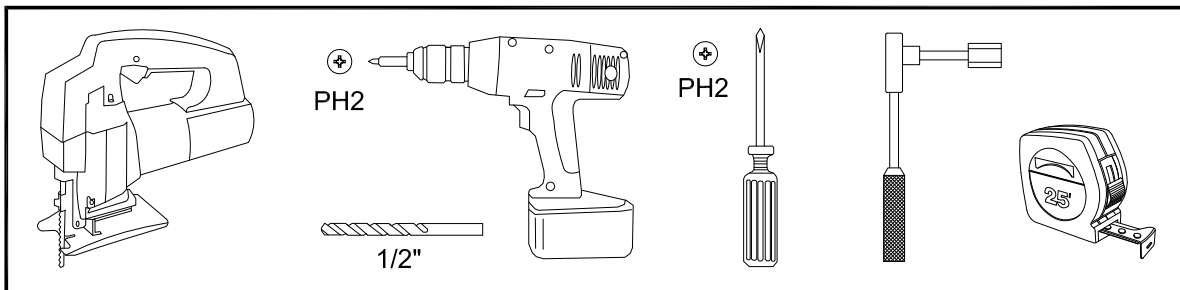
Product Code
446-456

Parts List

| Item | Part Name | Qty. | Item | Part Name | Qty. | Item | Part Name | Qty. |
|------|---------------------------|------|------|---------------------|------|------|---------------------|------|
| A | Housing | 1 | G | Cargo Nut | 8 | M | Butyl Caulk Strip | 4 |
| B | Track | 2 | H | 1/4-20 x 3/8" Screw | 4 | N | Shim | 2 |
| C | Cargo Shield/Track spacer | 1 | I | Black Rubber Washer | 4 | O | Tailgate Gasket | 2 |
| D | Track Mounting Flange | 2 | J | Self Tapping Screw | 2 | P | NT Striker plate | 2 |
| E | Bulkhead Flashing | 1 | K | 1/4-20 Lid Screw | 2 | Q | Hook Latch Cap | 2 |
| F | #10-24 Screw | 8 | L | Drain Tube | 2 | | 303 Vinyl Protector | 1 |

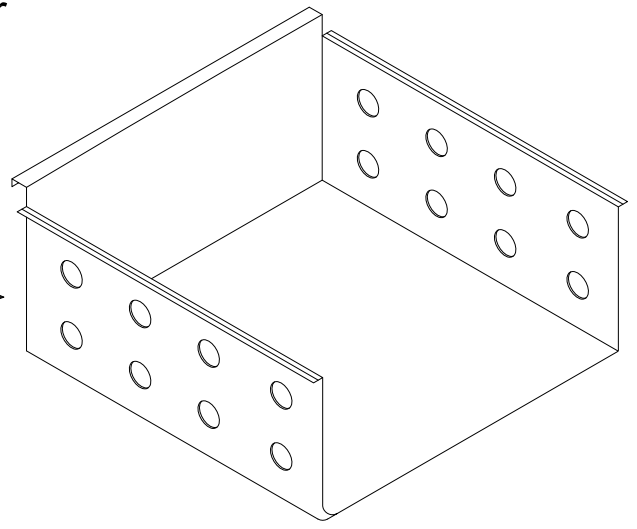
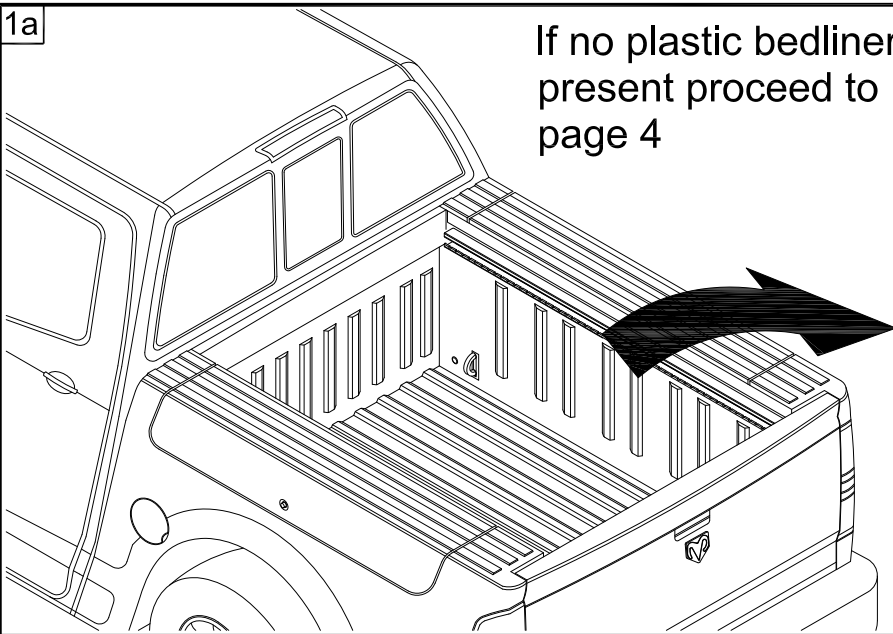


Tools Needed



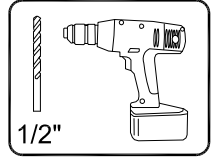
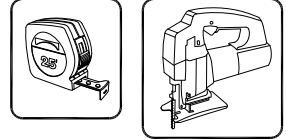
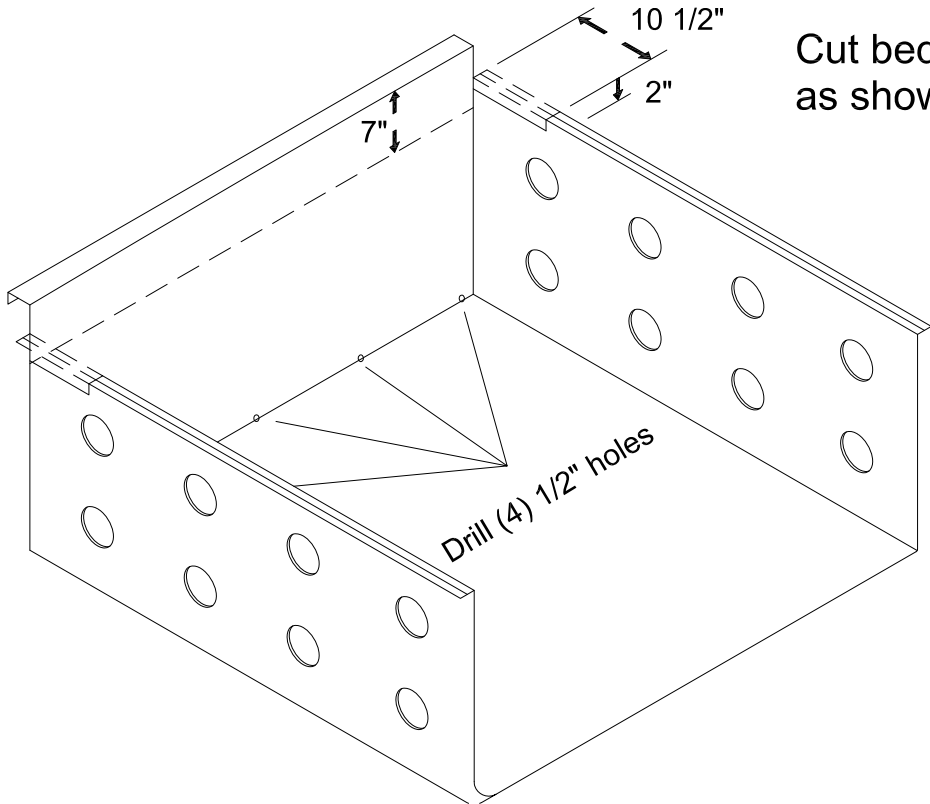
1a

If no plastic bedliner present proceed to page 4

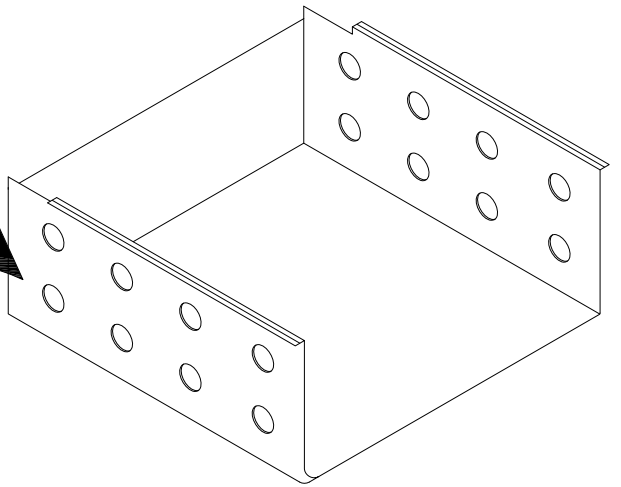
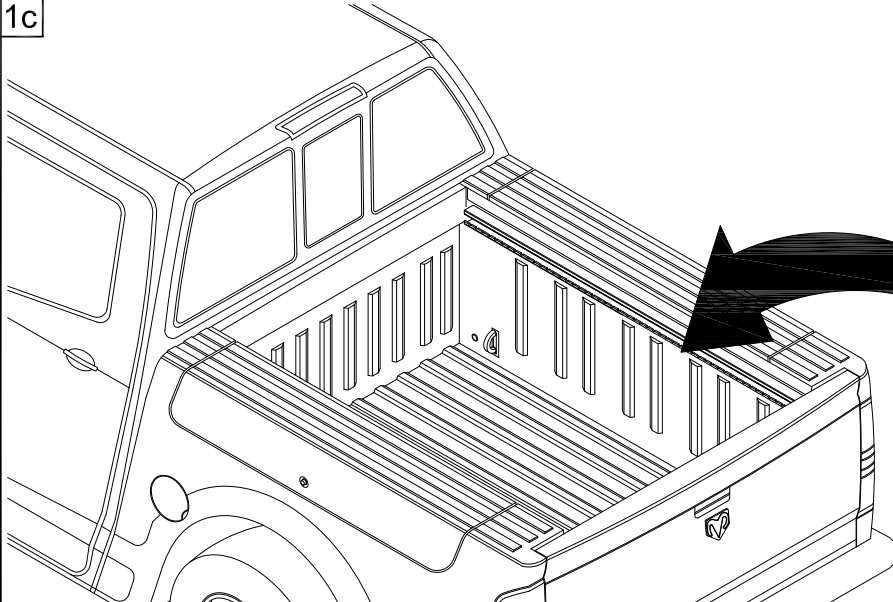


1b

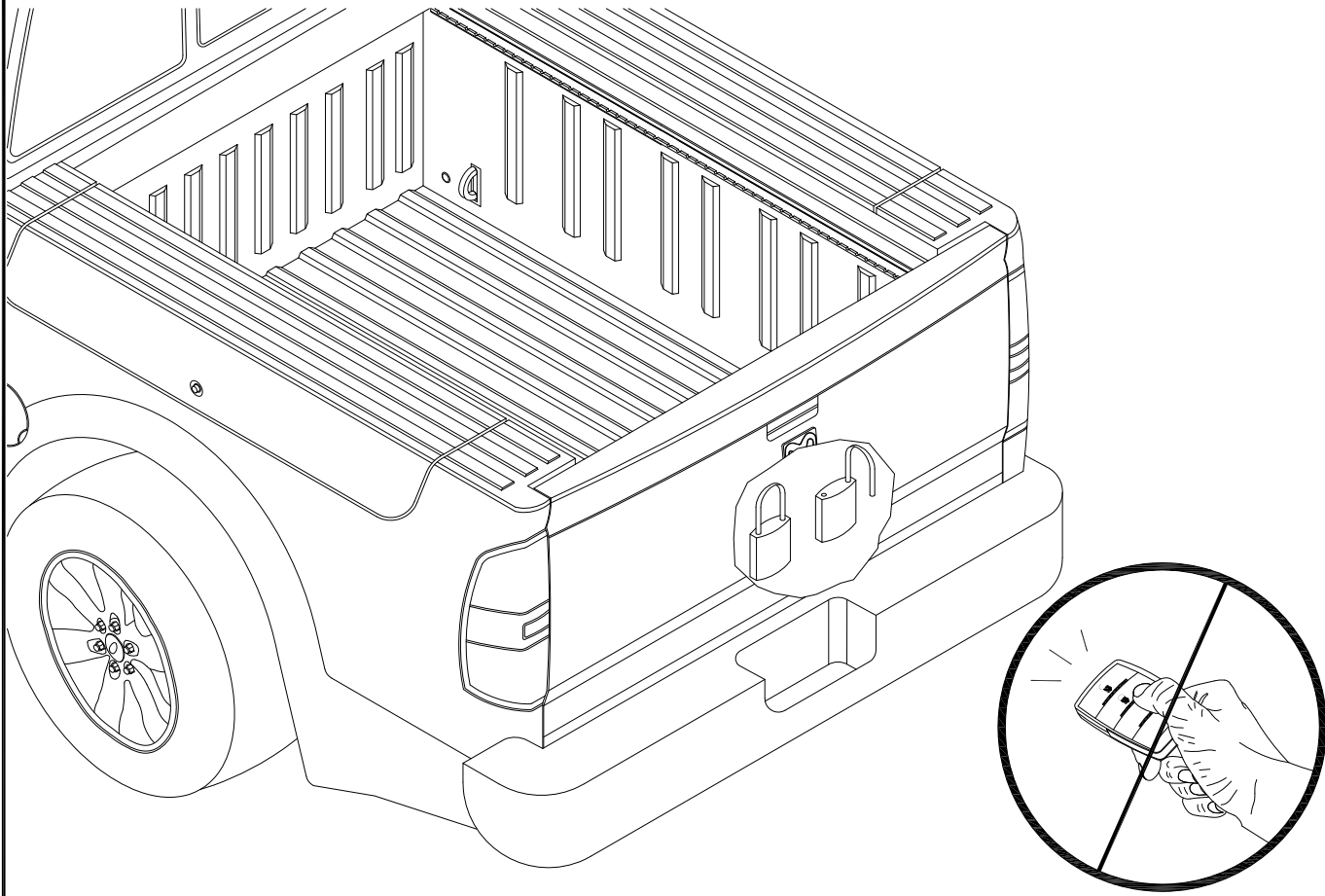
Cut bedliner as shown.



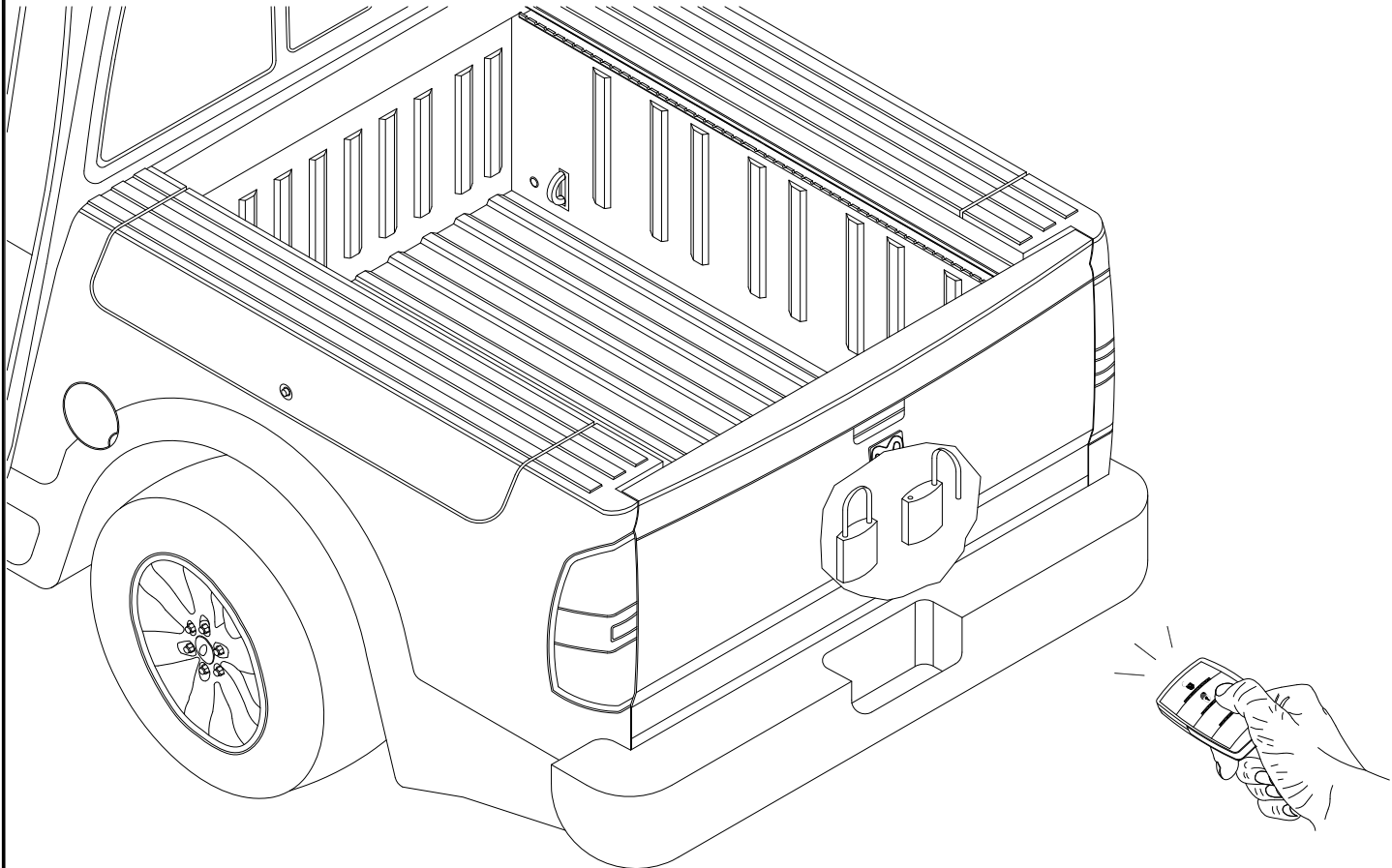
1c



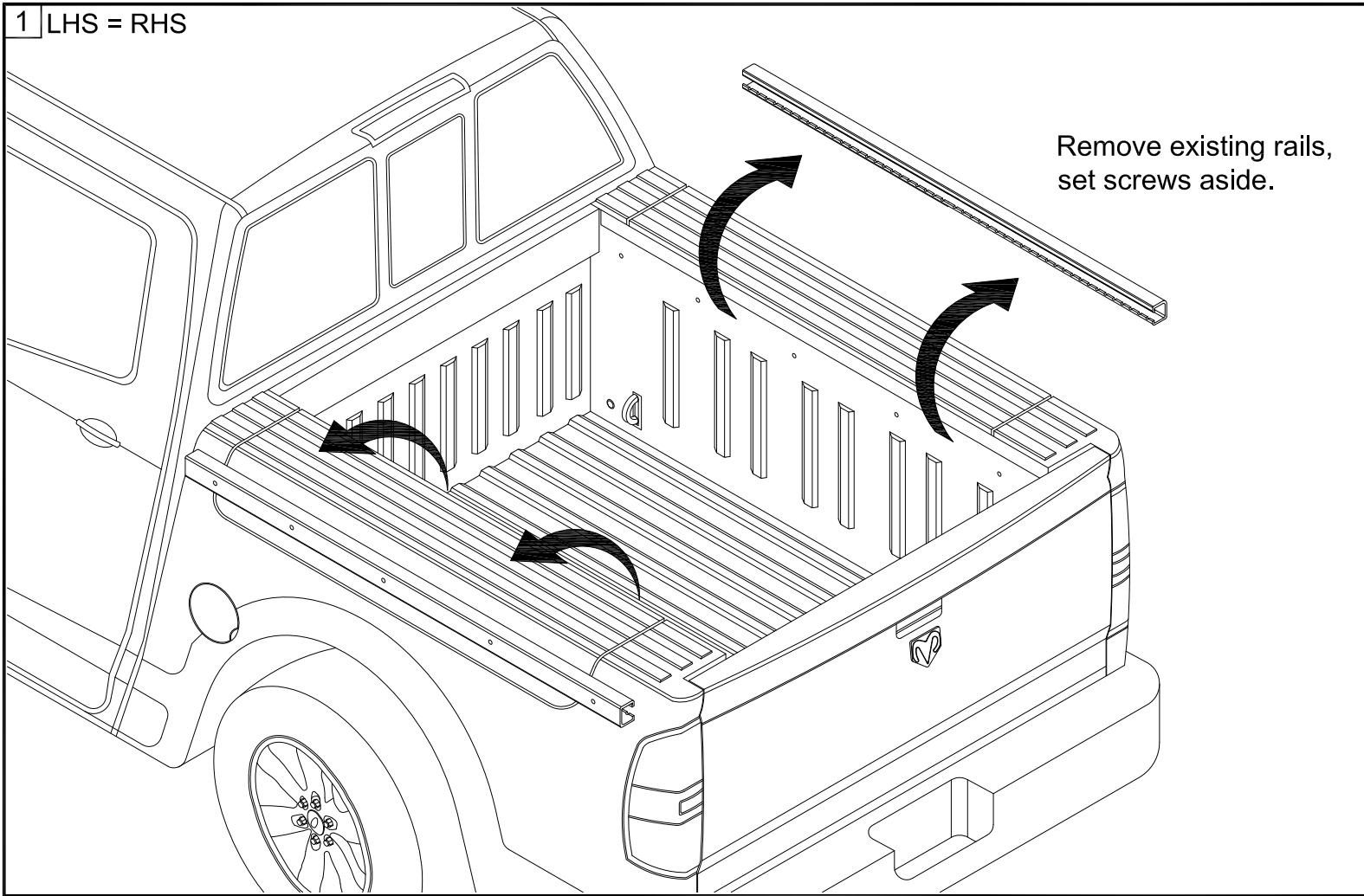
IF TRUCK TAILGATE DOES **NOT** LOCK AND UNLOCK WITH KEY FOB OR A TAILGATE EXTRUSION © IS WANTED PROCEED WITH PAGES 5 - 15.



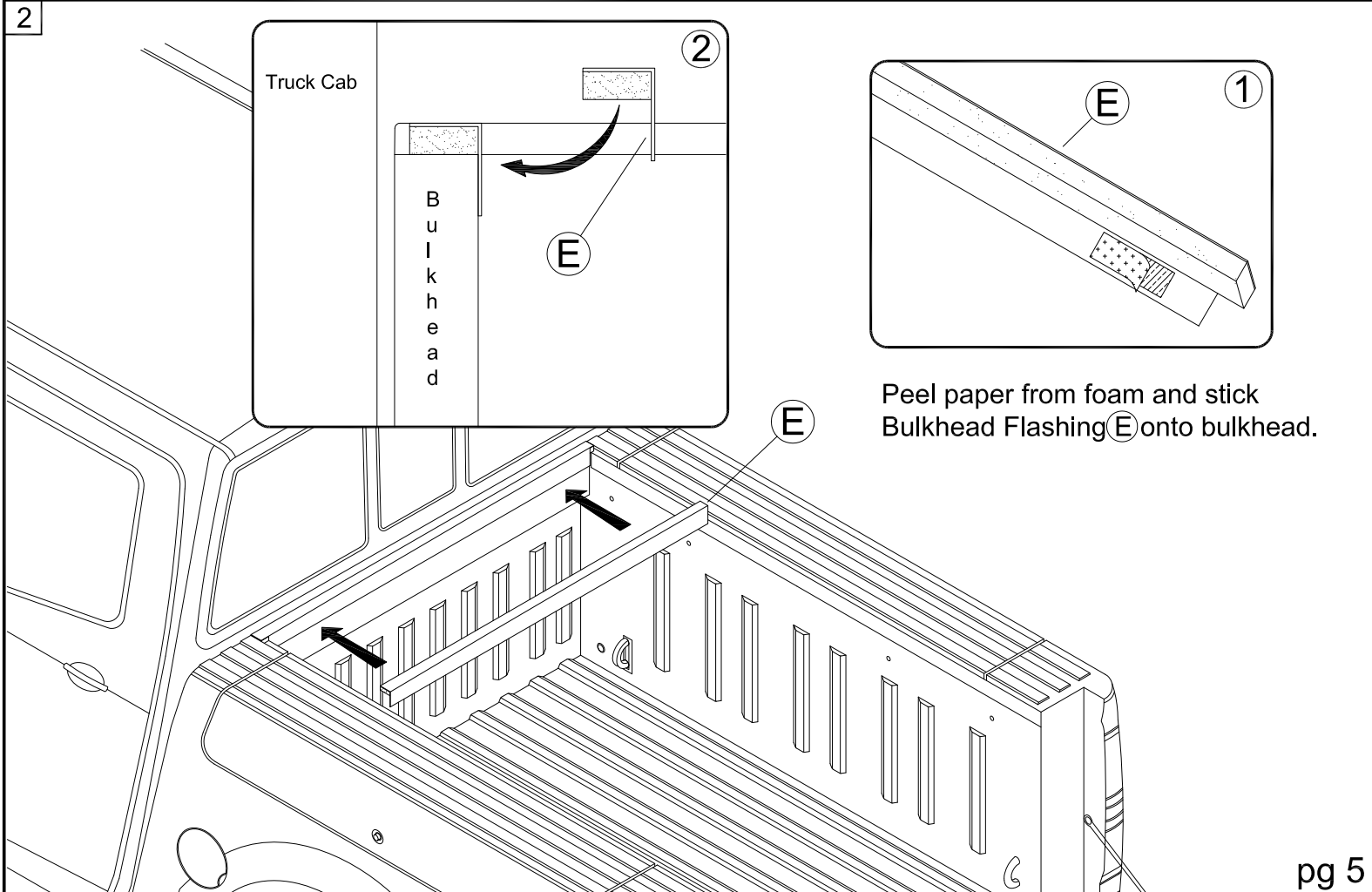
IF TRUCK TAILGATE LOCKS AND UNLOCKS WITH KEY FOB OR A TAILGATE EXTRUSION © IS **NOT** WANTED PROCEED WITH PAGES 16 - 27.



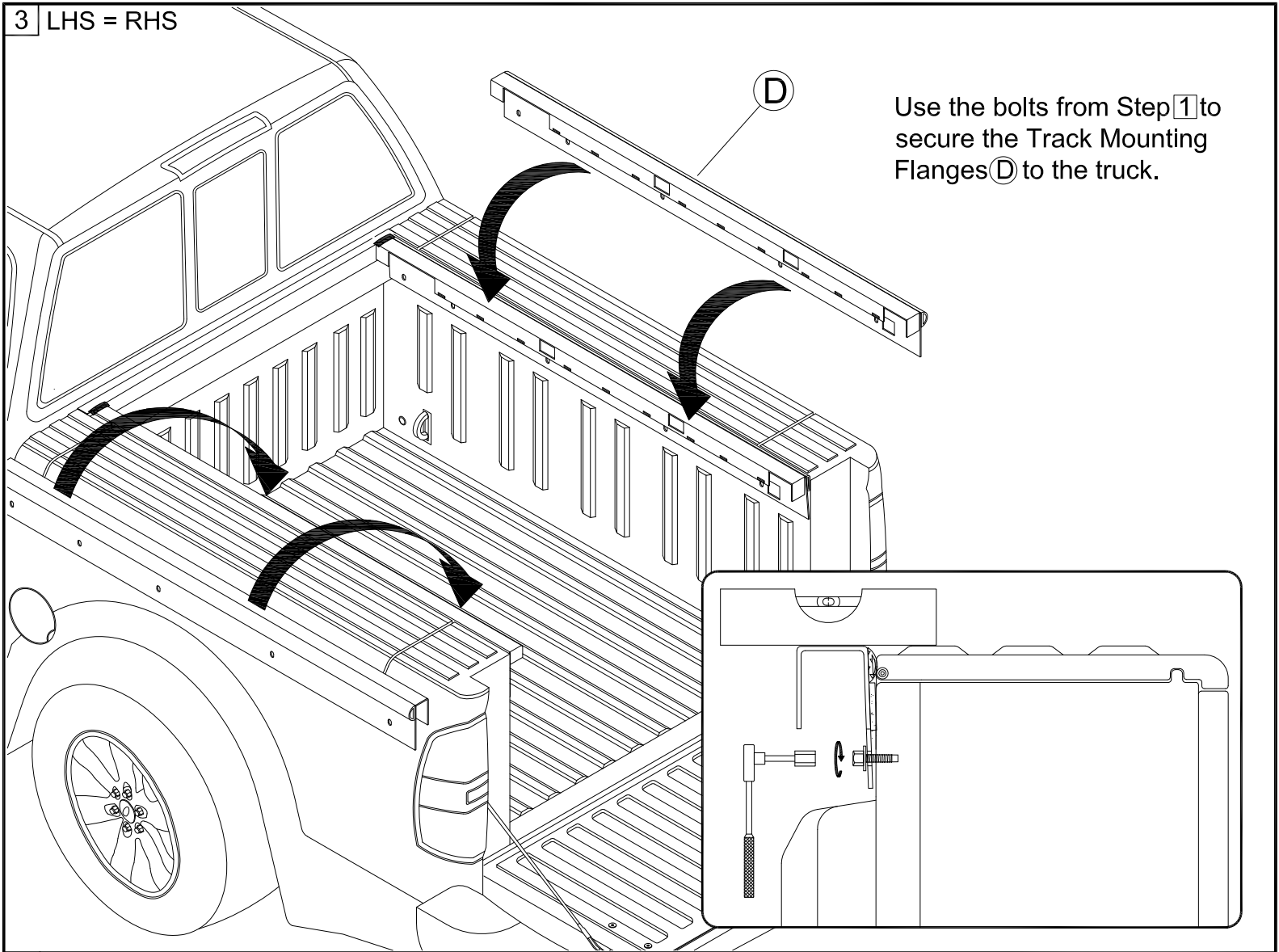
1 LHS = RHS



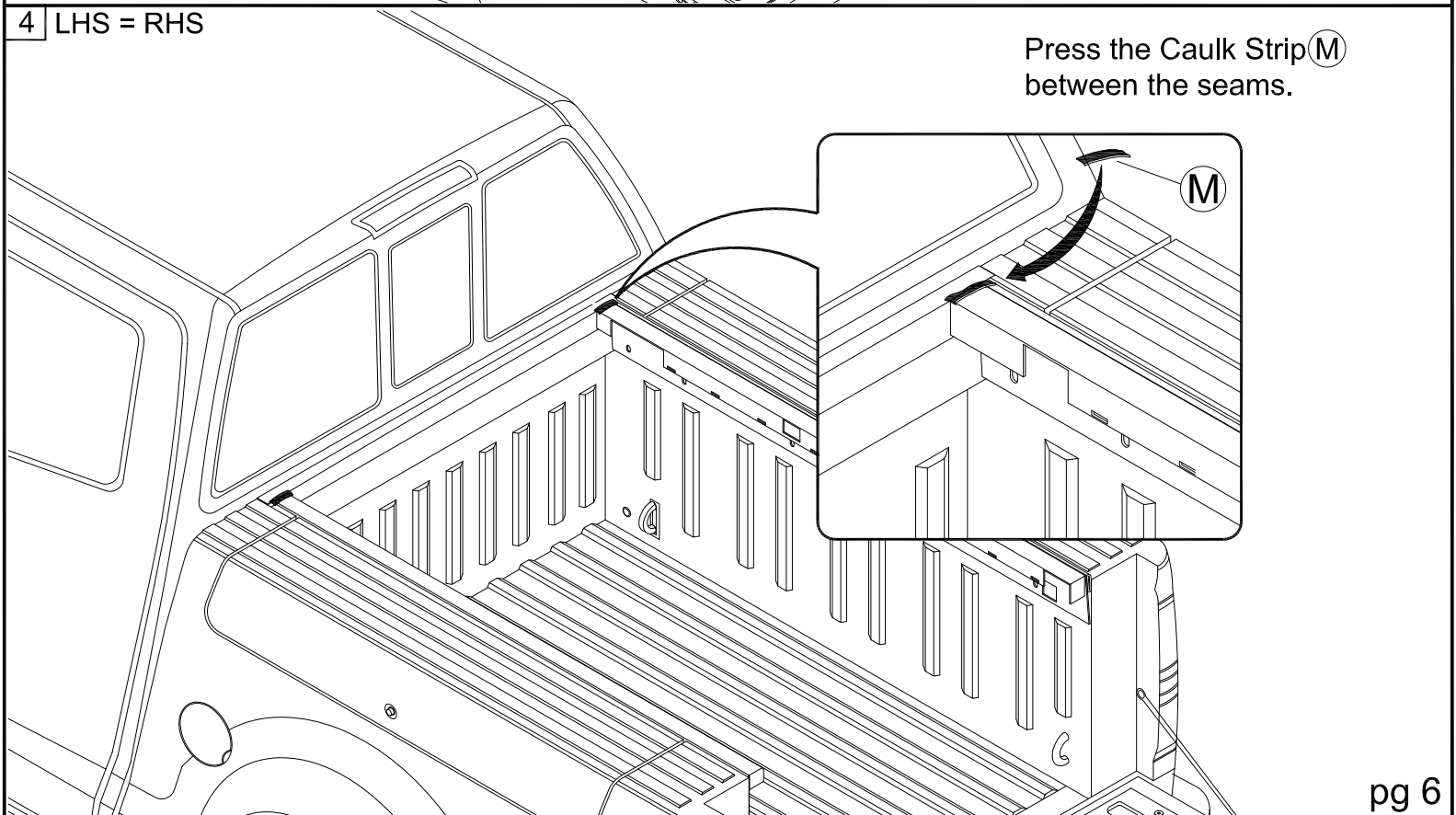
2



3 LHS = RHS

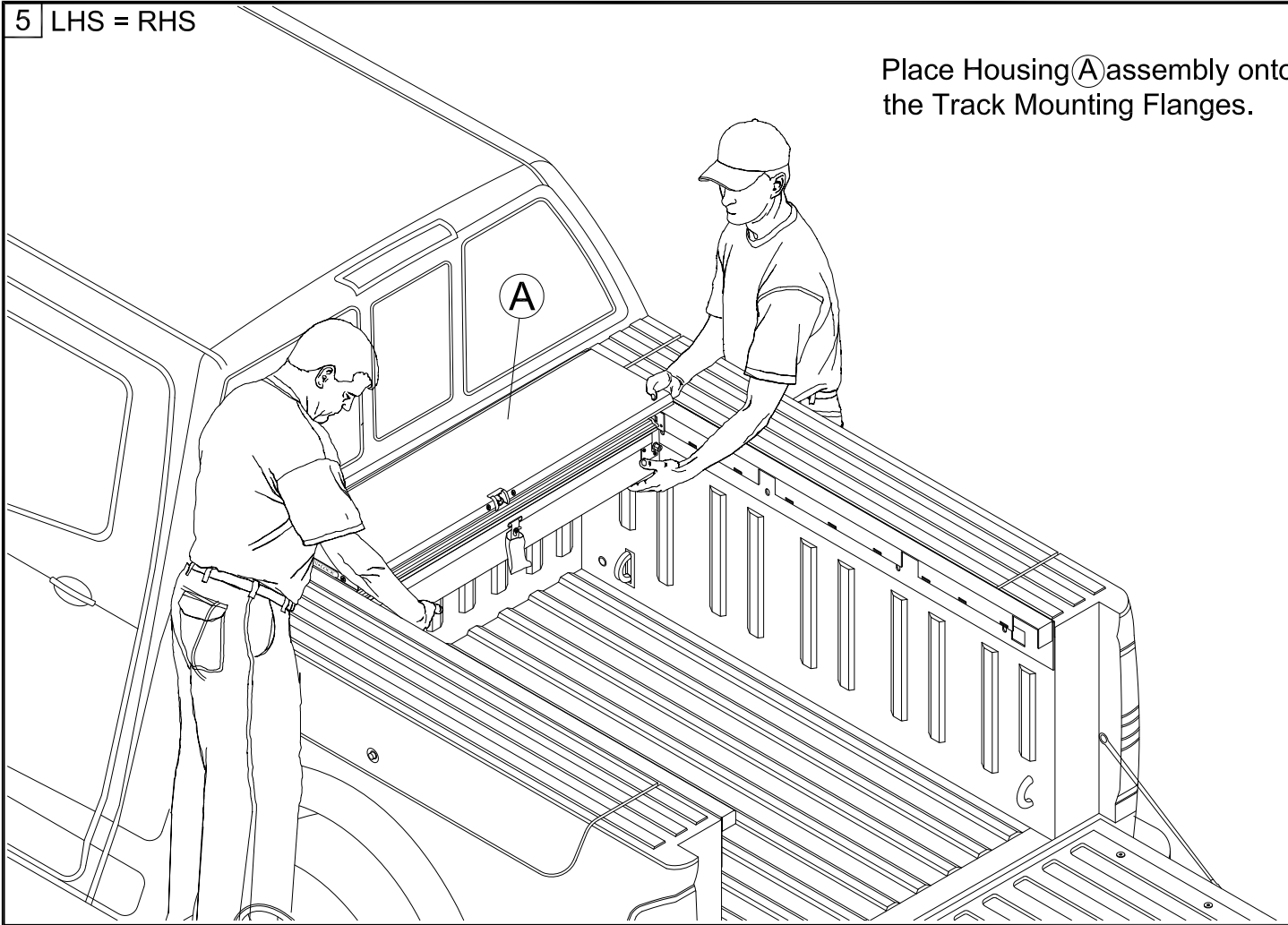


4 LHS = RHS



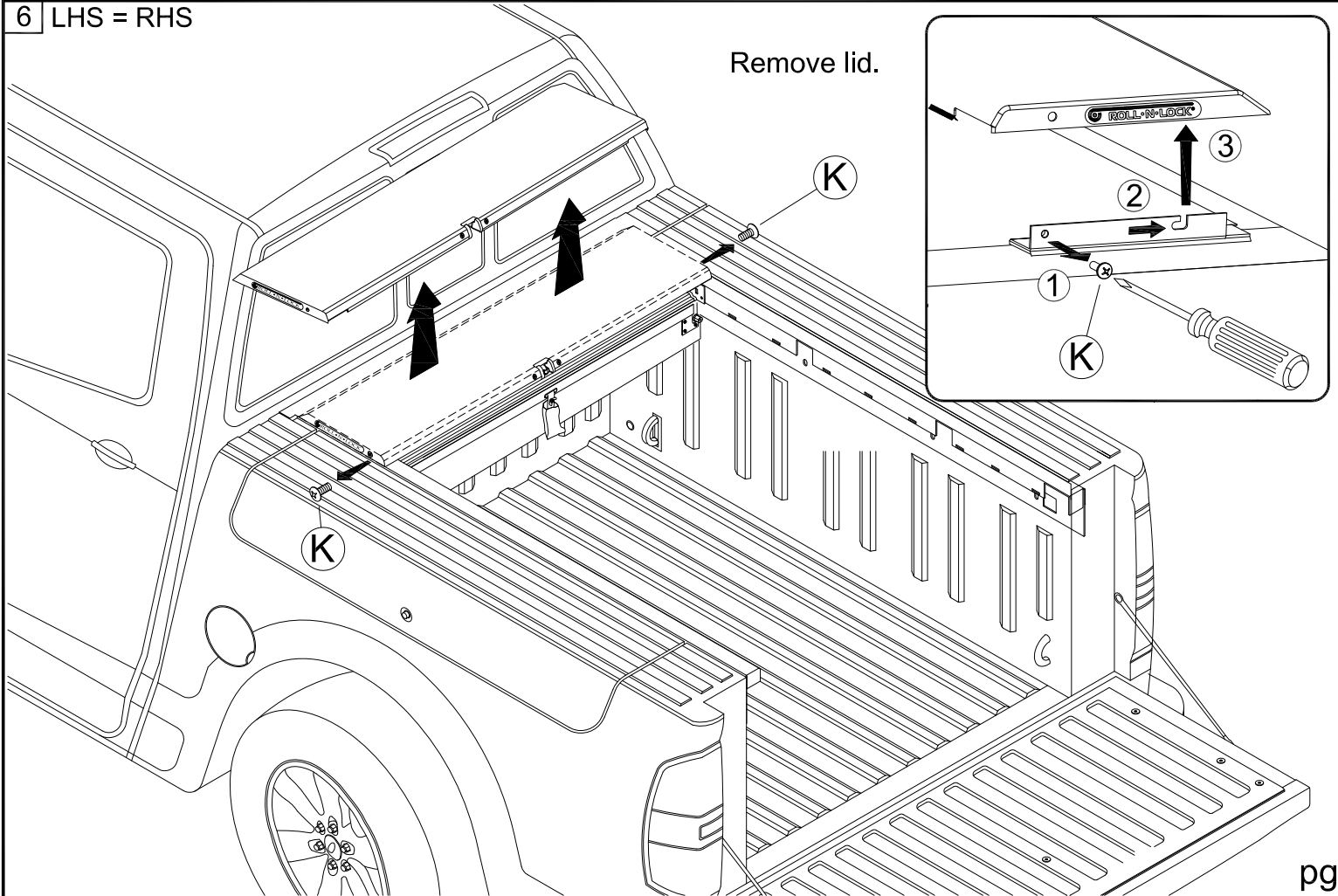
5 LHS = RHS

Place Housing **A** assembly onto the Track Mounting Flanges.



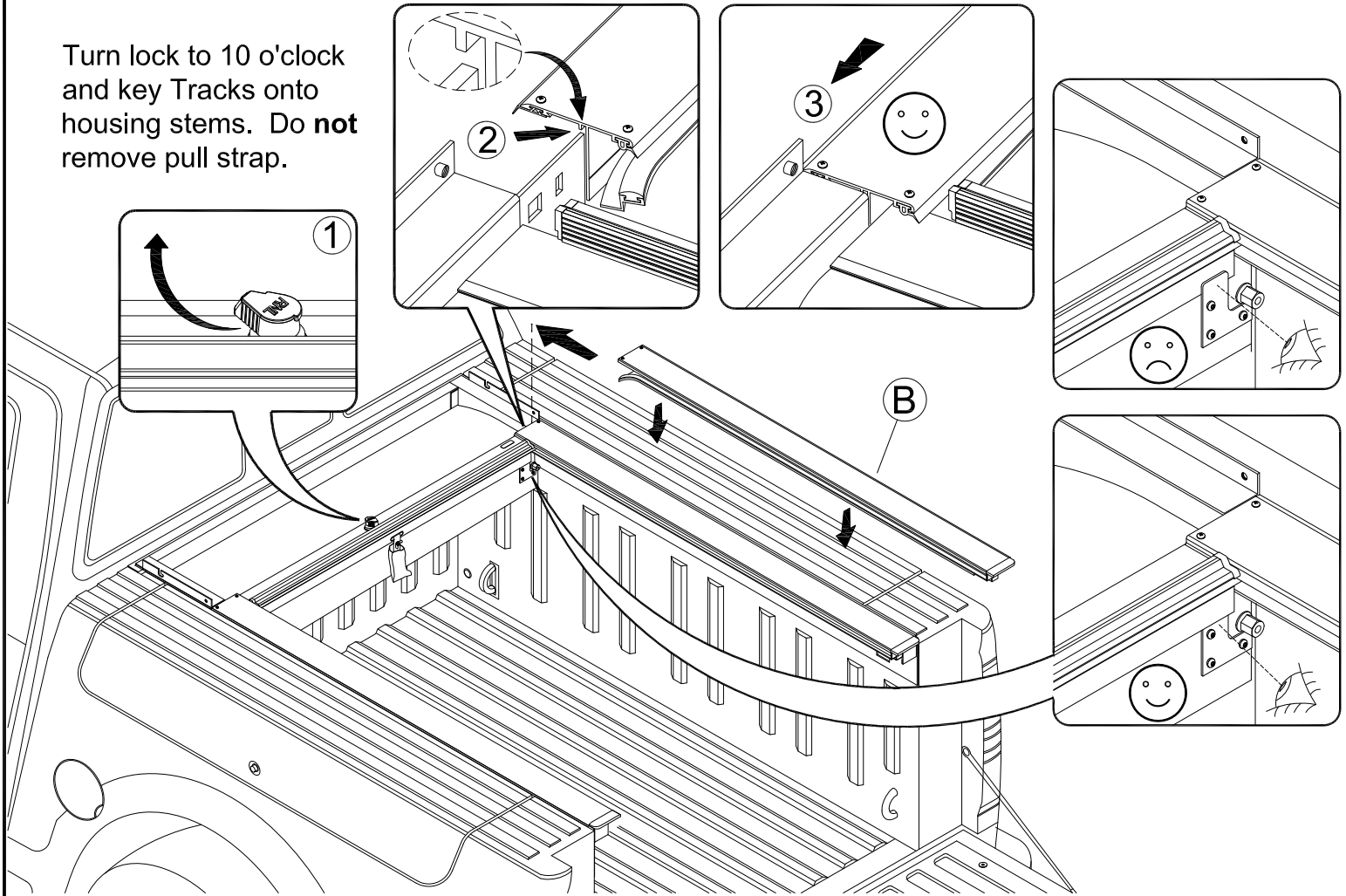
6 LHS = RHS

Remove lid.

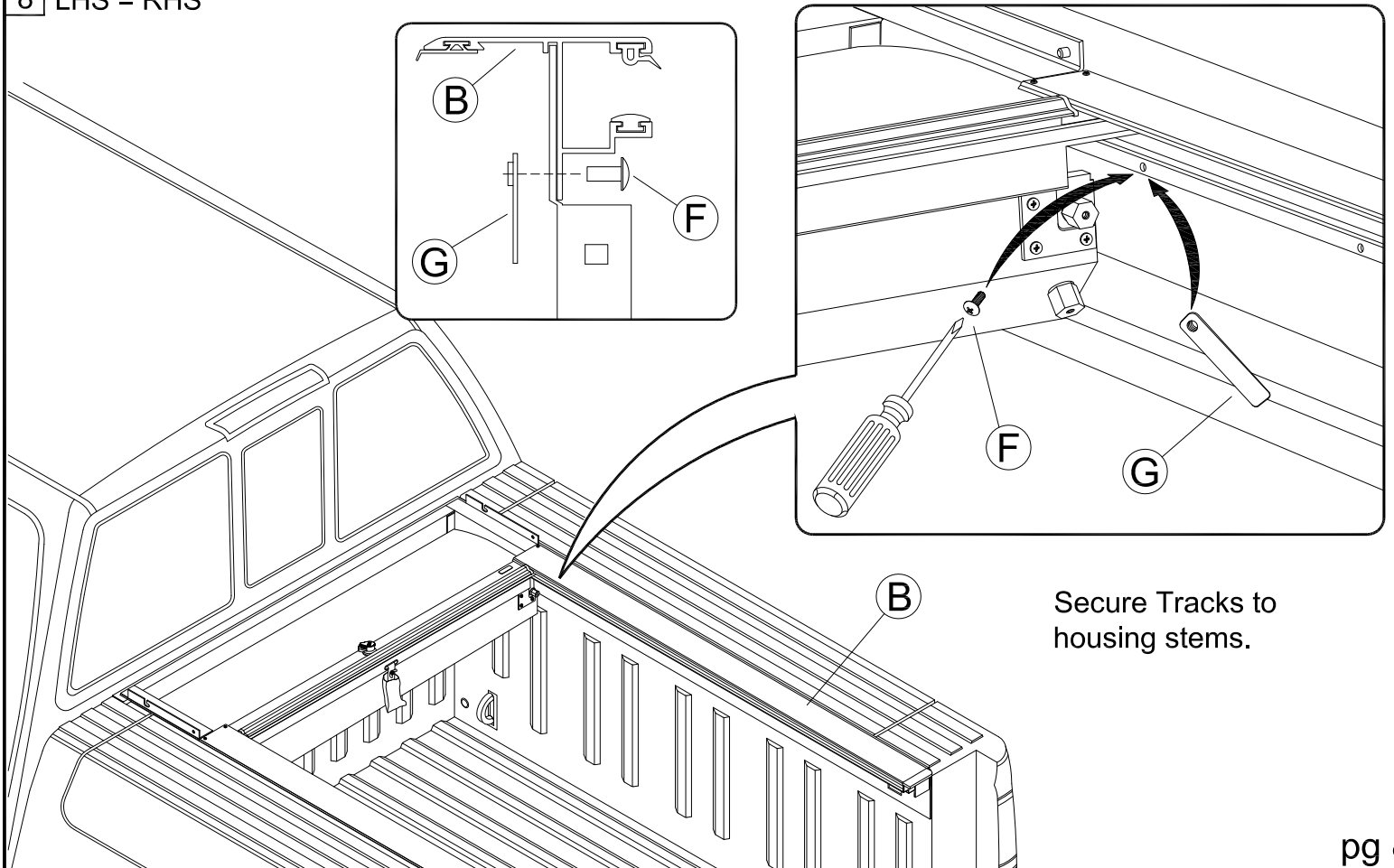


7 LHS = RHS

Turn lock to 10 o'clock and key Tracks onto housing stems. Do not remove pull strap.

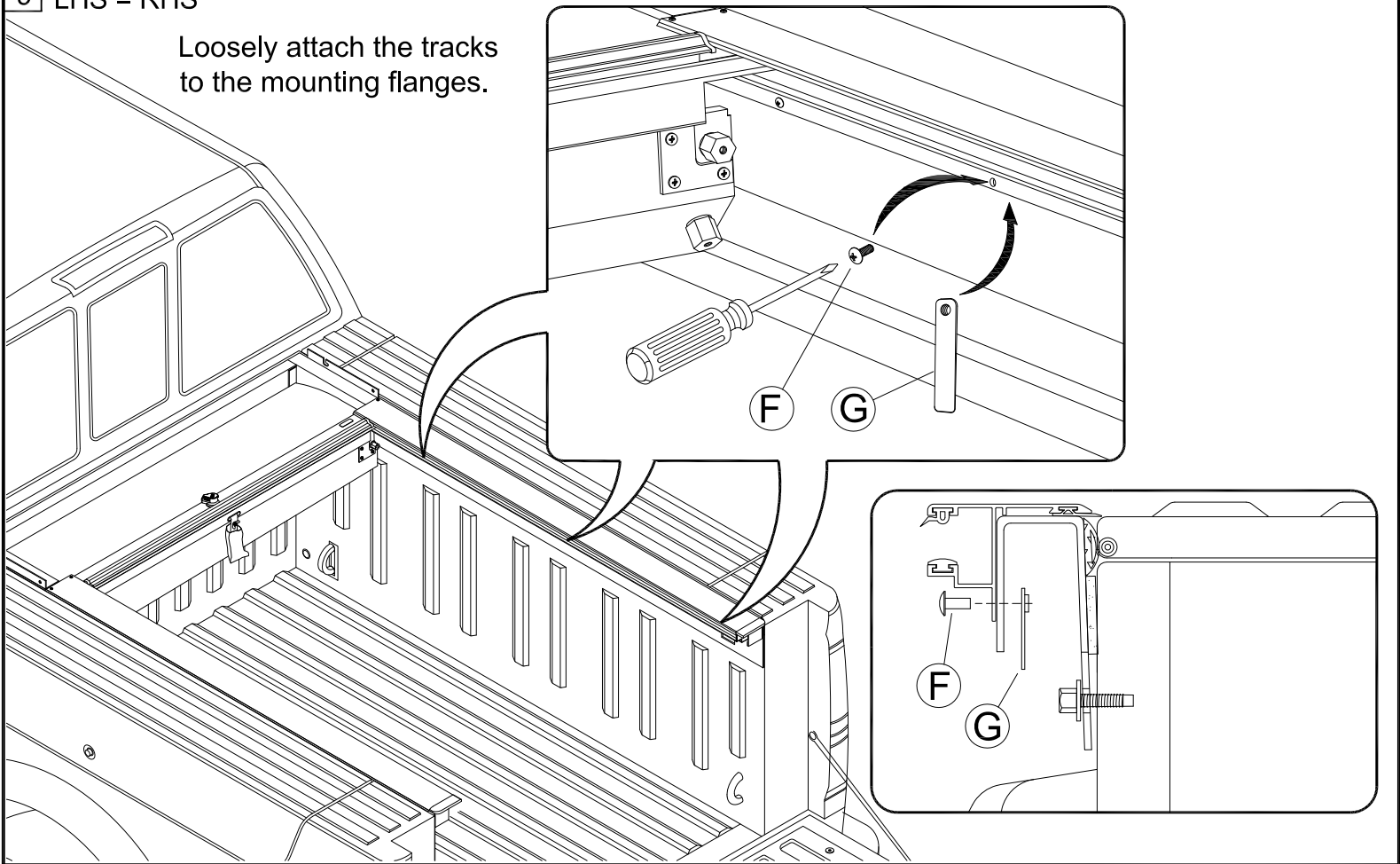


8 LHS = RHS



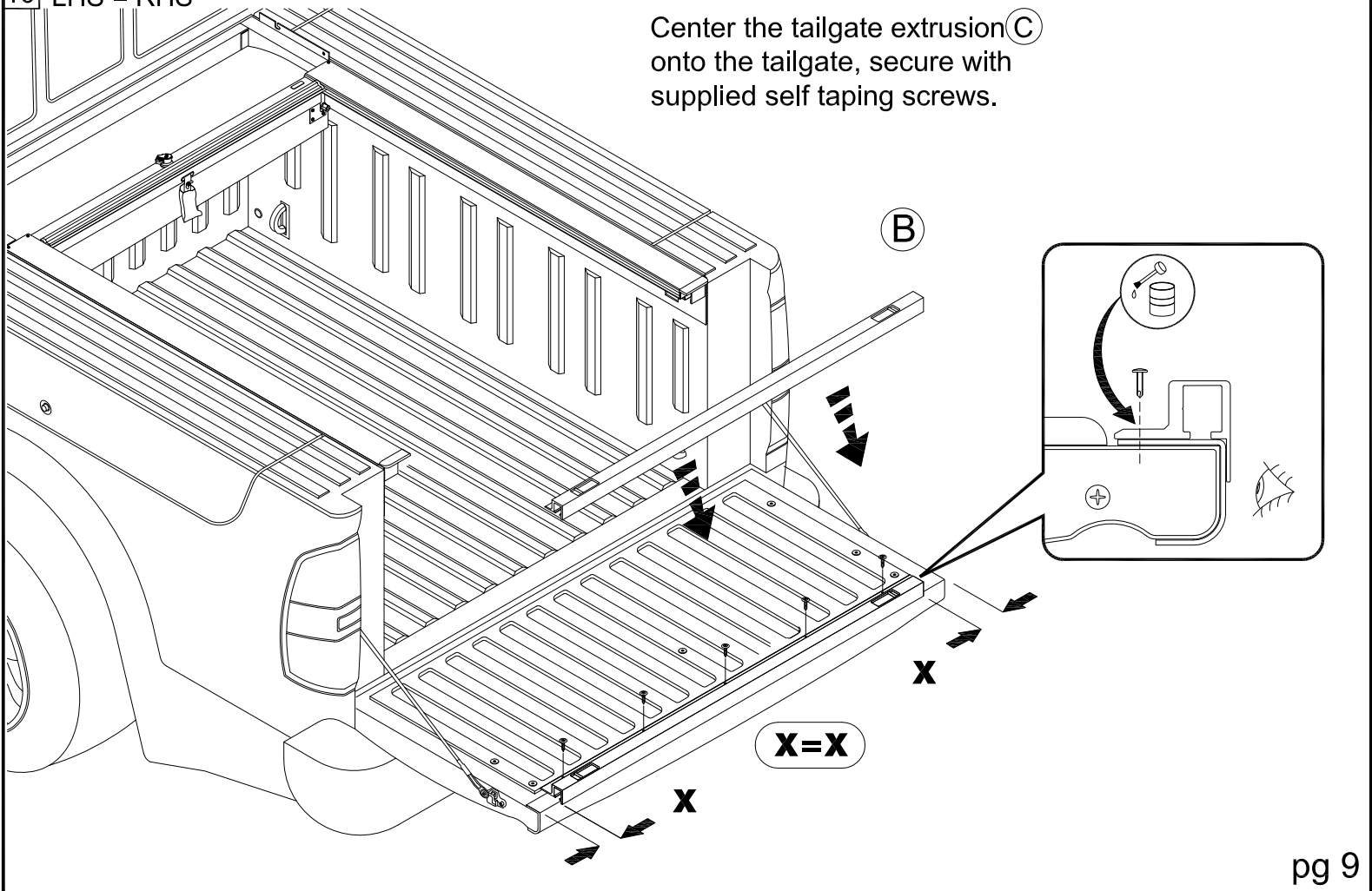
9 LHS = RHS

Loosely attach the tracks to the mounting flanges.



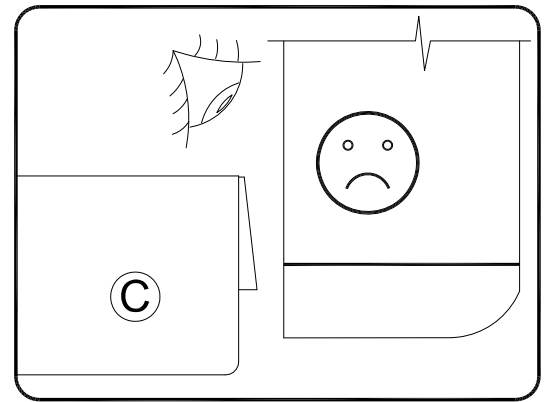
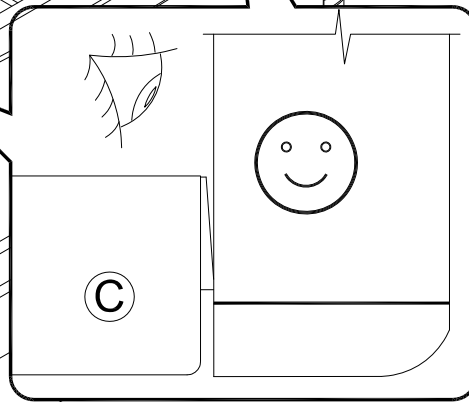
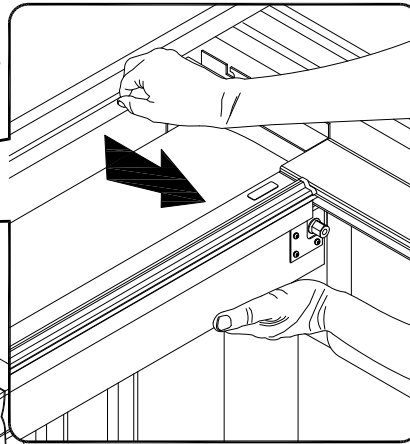
10 LHS = RHS

Center the tailgate extrusion (C) onto the tailgate, secure with supplied self tapping screws.



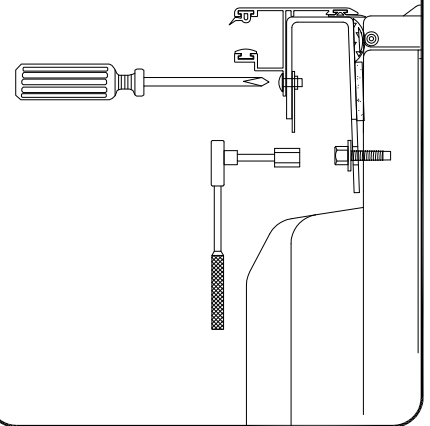
11 LHS = RHS

Close tailgate, shift the housing back so the end of the tracks are up against the tailgate.

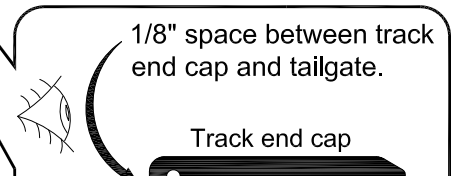


12 LHS = RHS

Once tracks are in the correct position tighten all fasteners.



1/8" space between track end cap and tailgate.



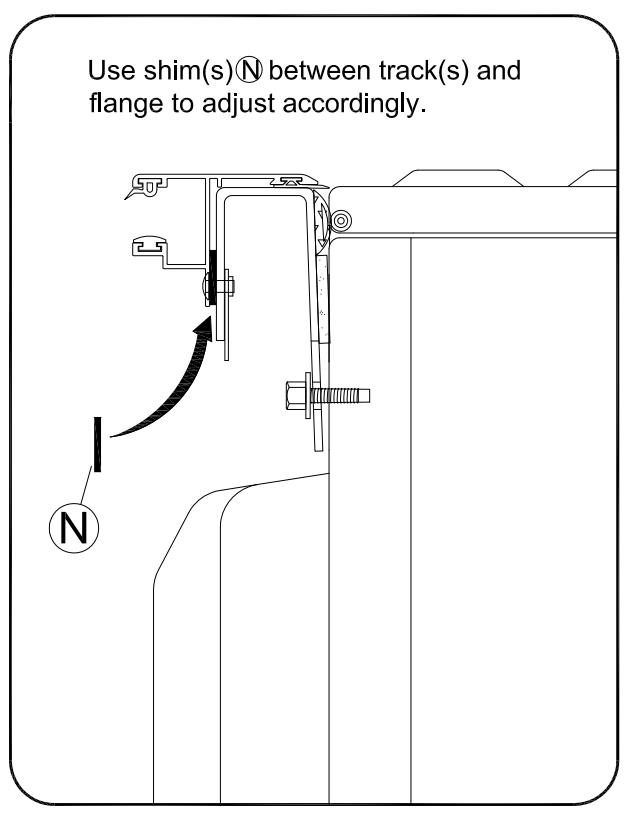
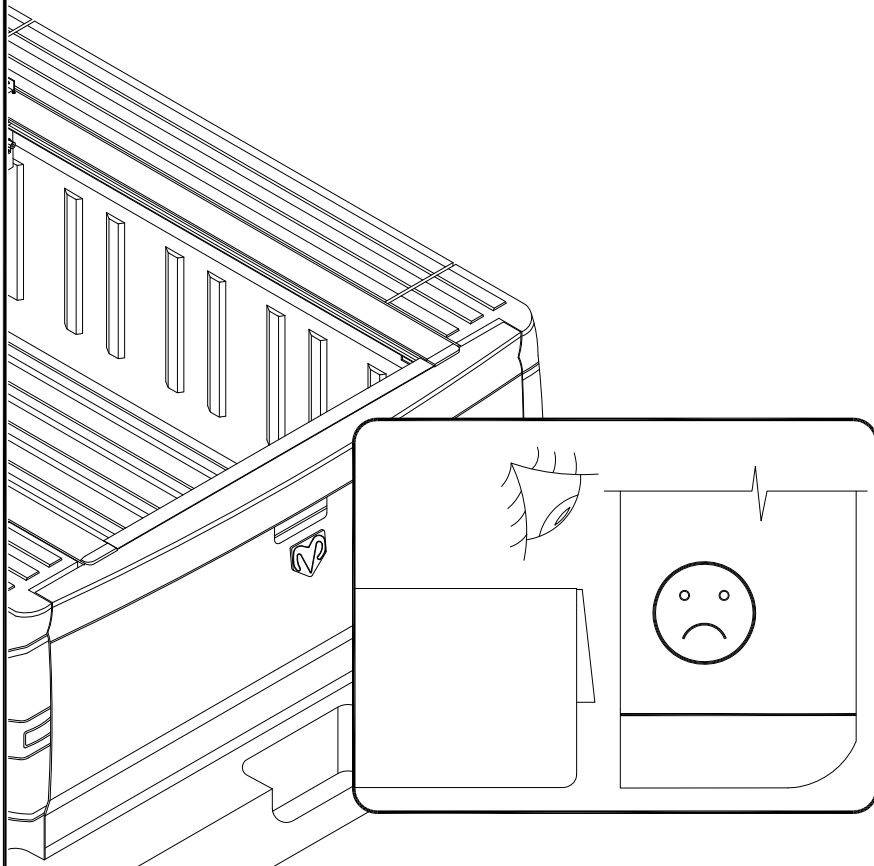
Track end cap

Tailgate

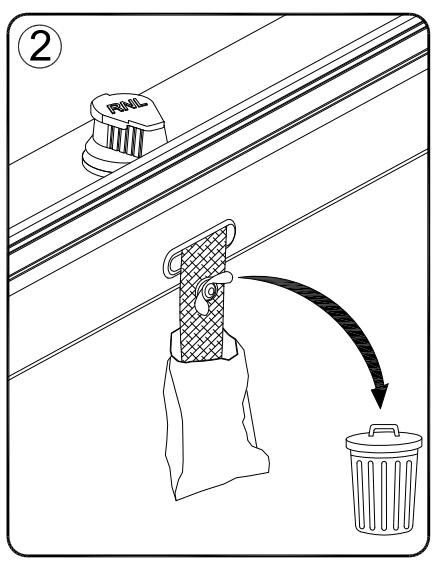
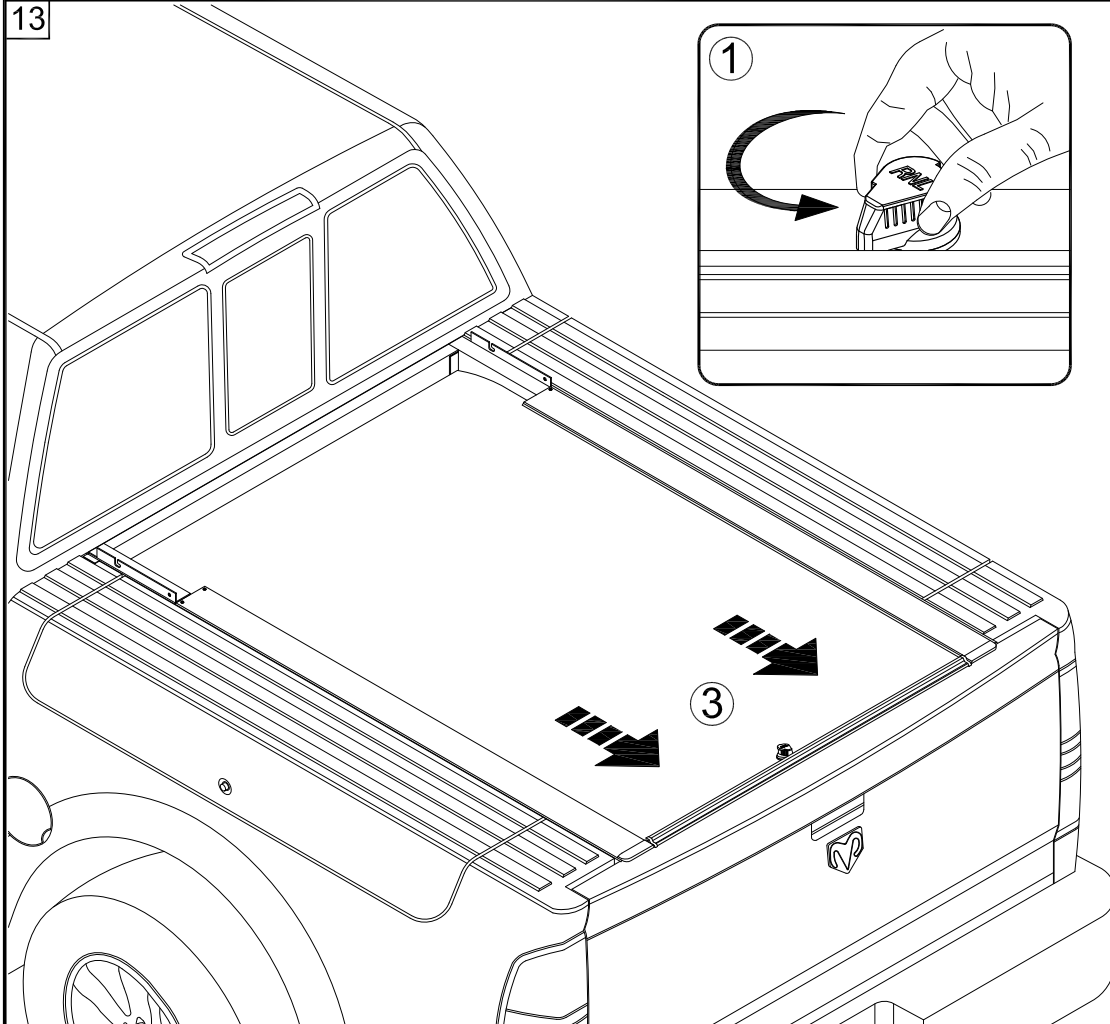
12a LHS = RHS

If there is a gap between the track and tailgate extrusion shim track to adjust.

Use shim(s) **N** between track(s) and flange to adjust accordingly.

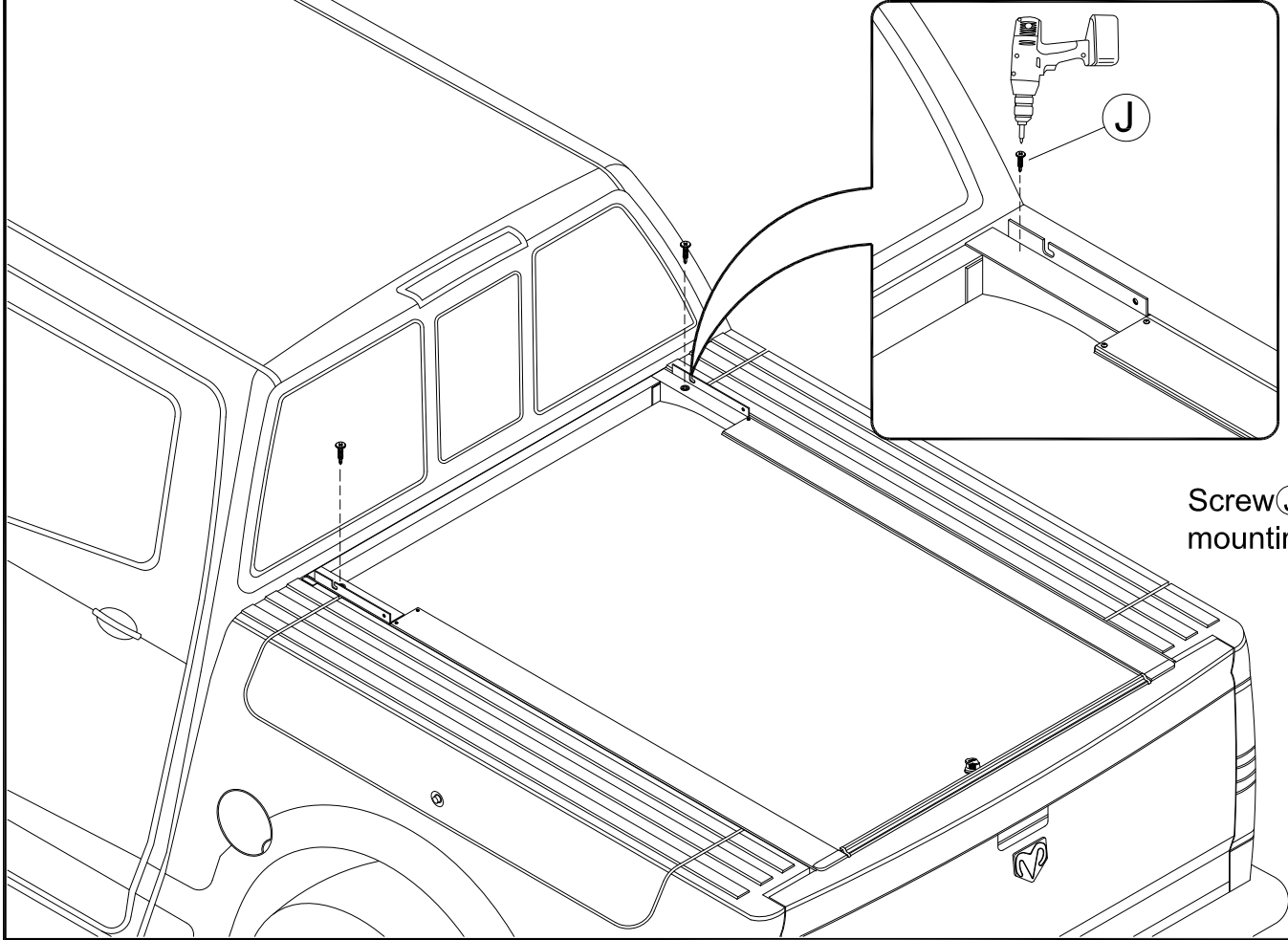


13



Turn lock to 7 o'clock, remove plastic wing nut and pull cover back to tailgate.

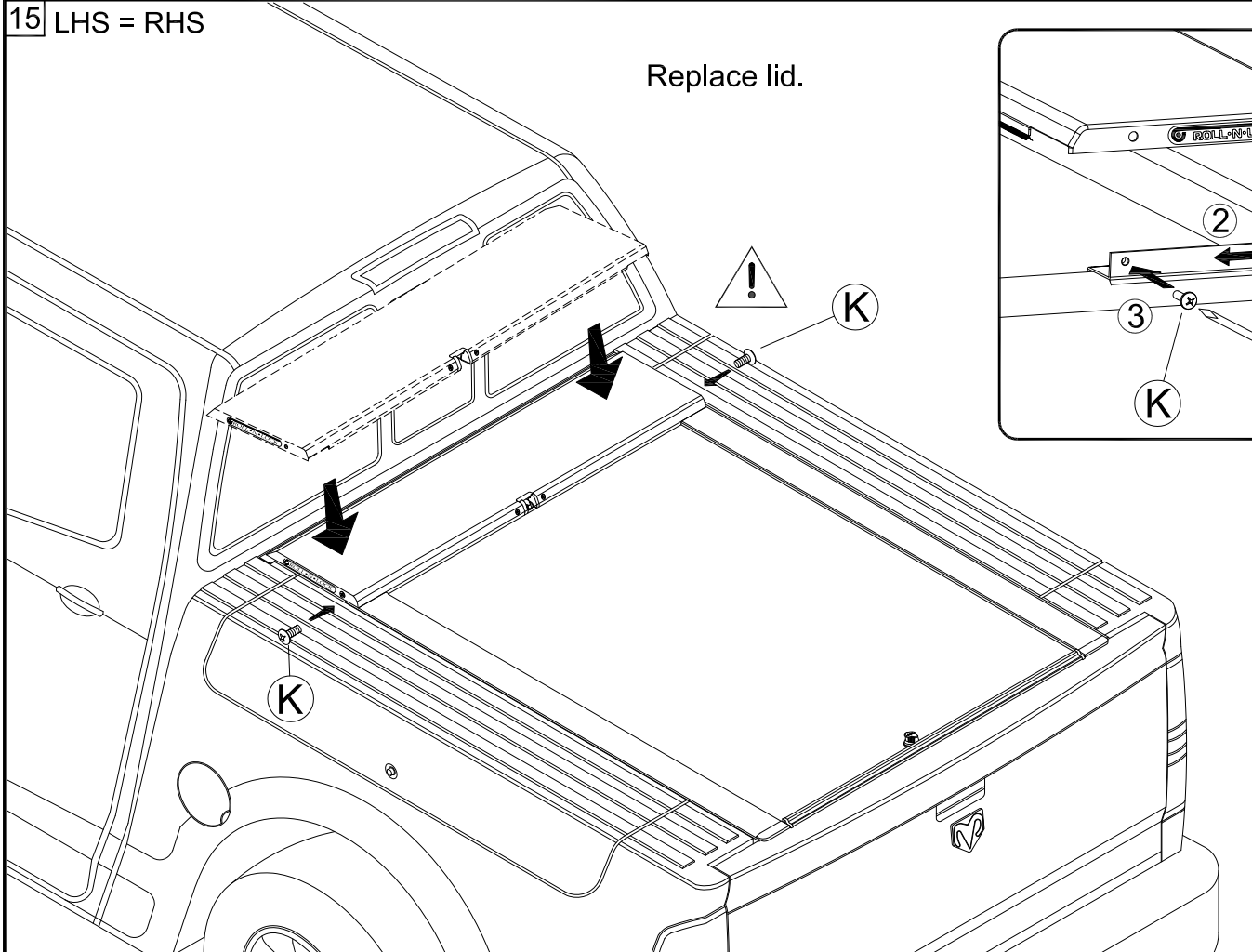
14 LHS = RHS

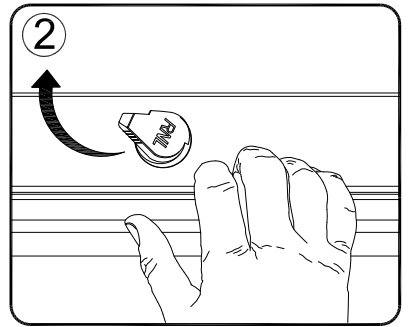
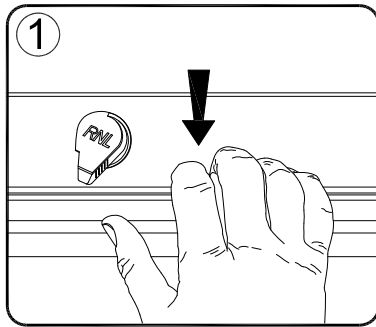
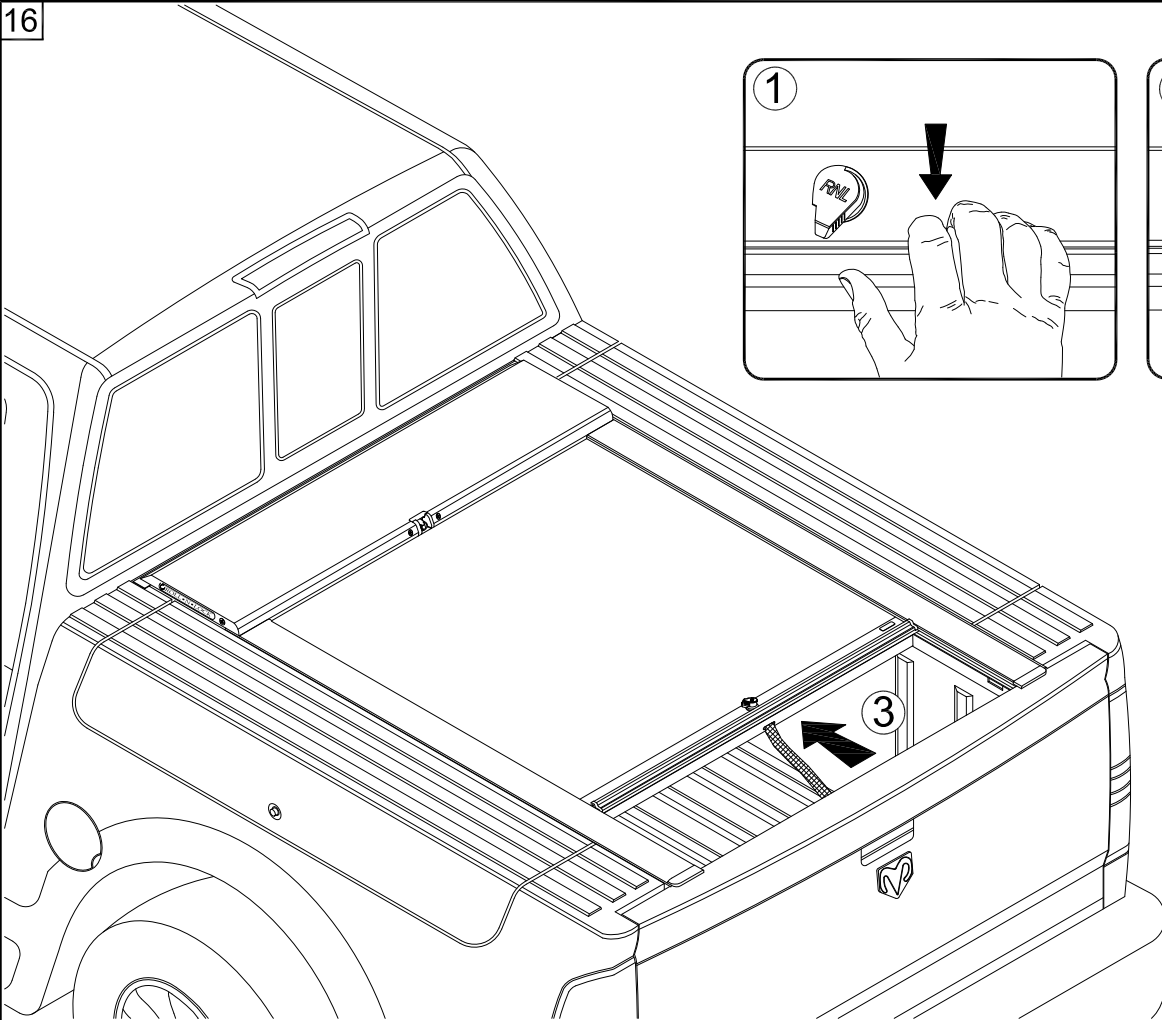


Screw **J** housing to mounting flange.

15 LHS = RHS

Replace lid.

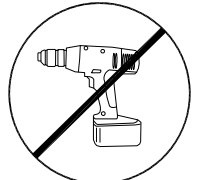
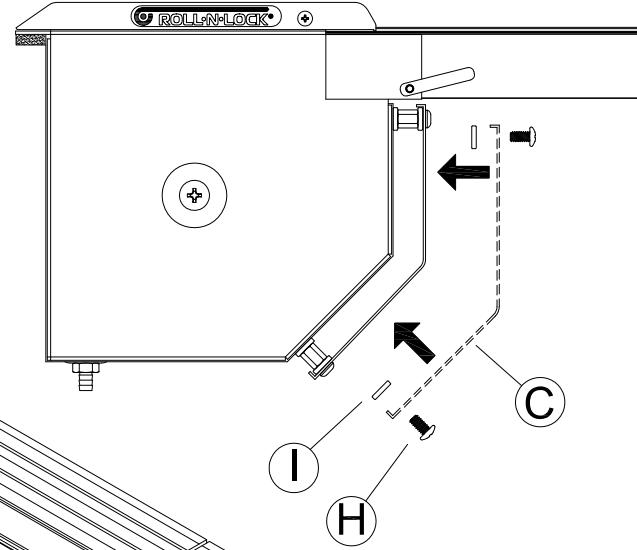
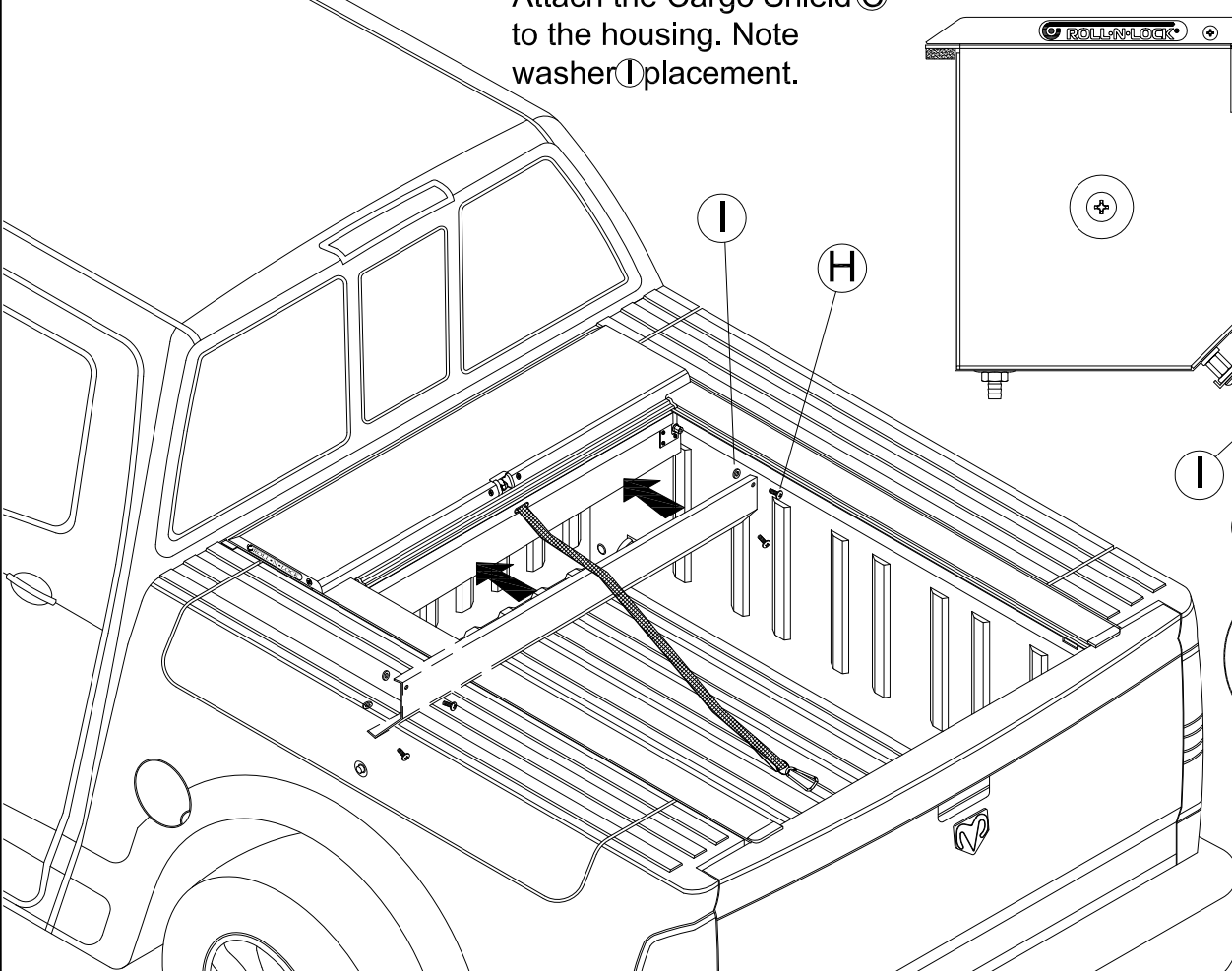




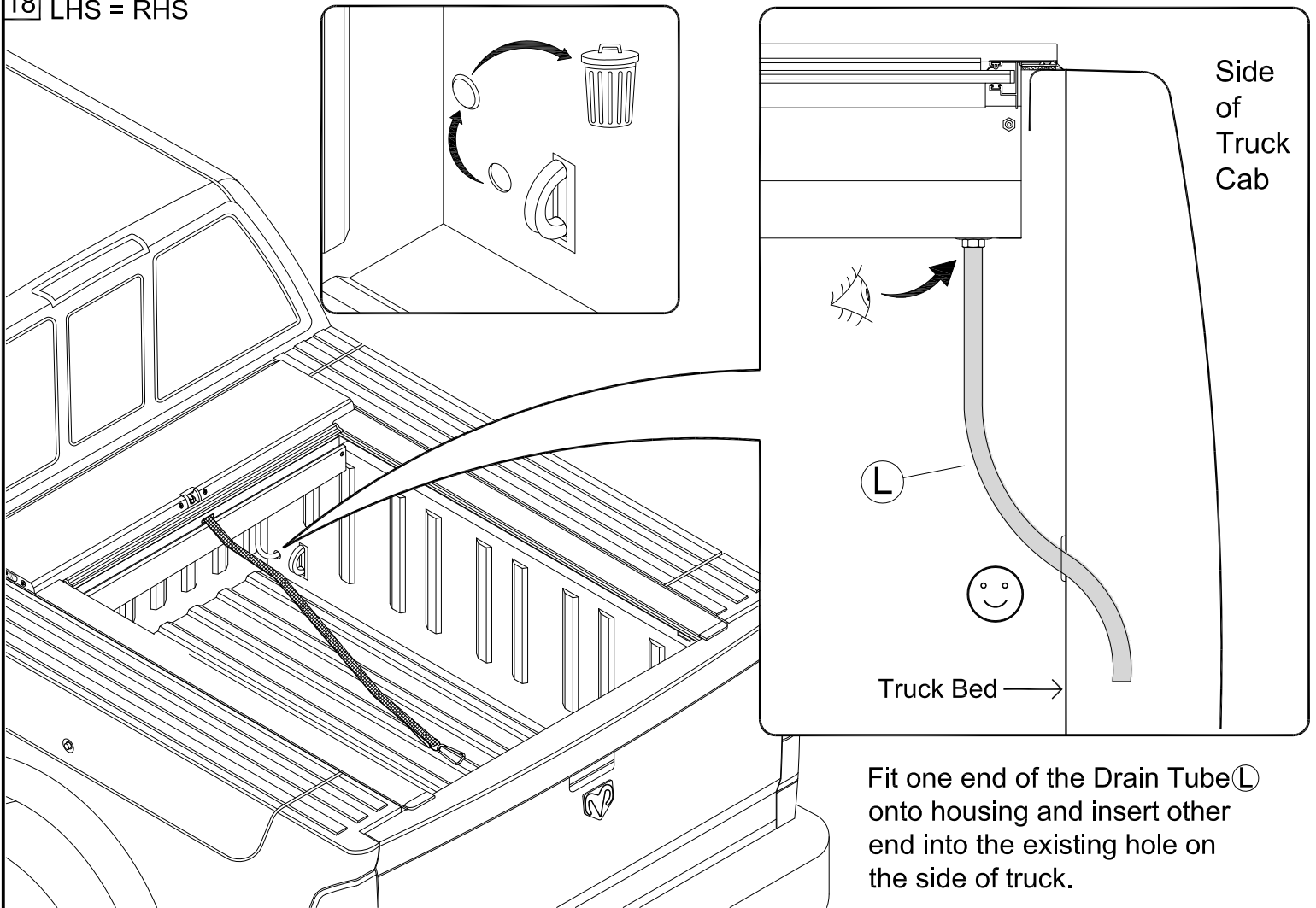
To open cover pull back on the handle, turn the lock to 10 o'clock and let the cover retract into the housing while holding onto the pull-strap.

17 LHS = RHS

Attach the Cargo Shield **C** to the housing. Note washer **I** placement.

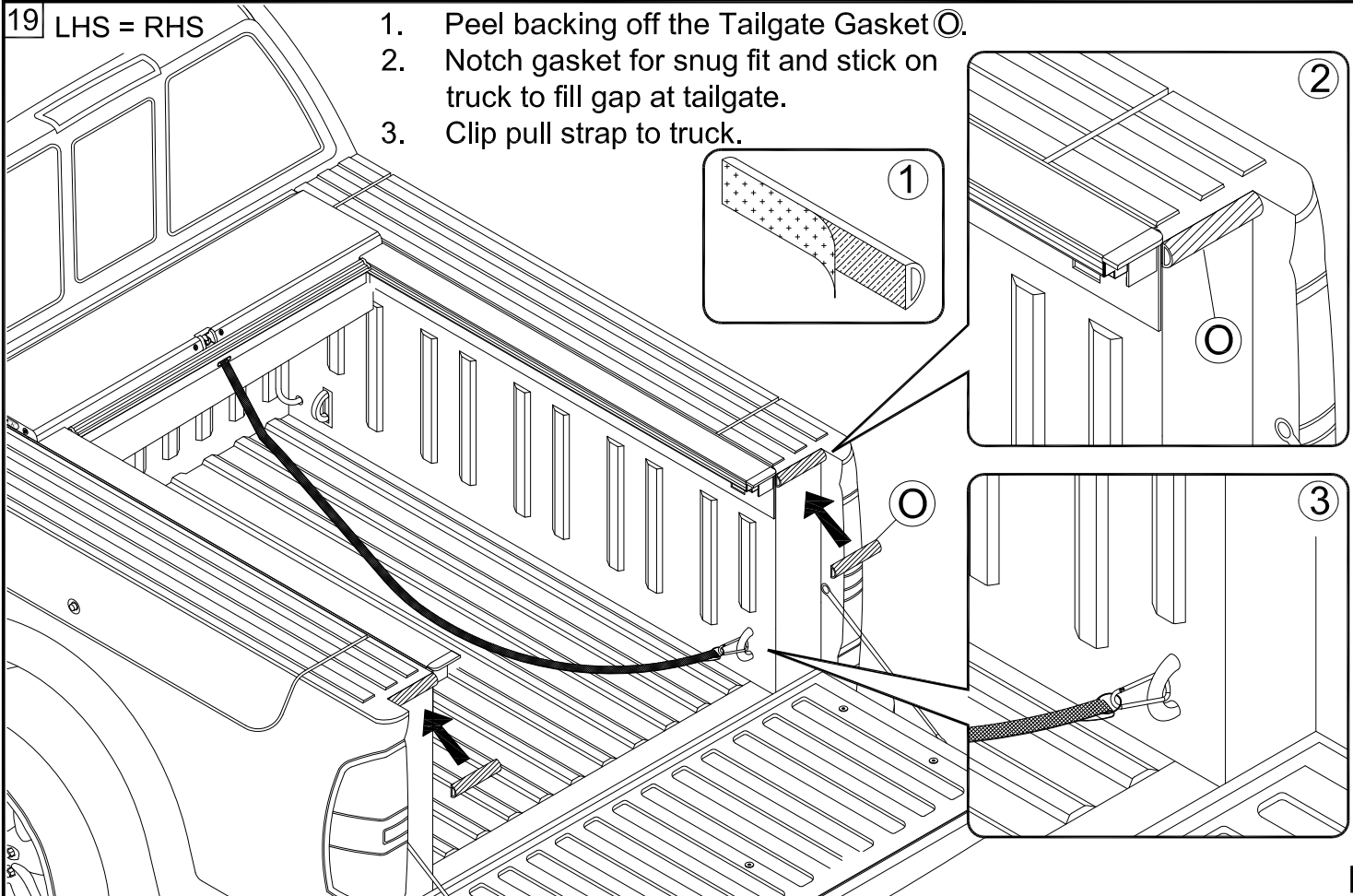


18 LHS = RHS



19 LHS = RHS

1. Peel backing off the Tailgate Gasket **O**.
2. Notch gasket for snug fit and stick on truck to fill gap at tailgate.
3. Clip pull strap to truck.

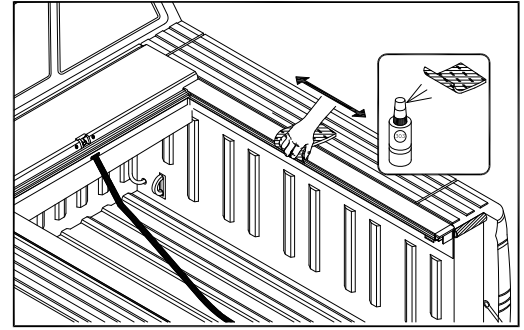


Troubleshooting

Cover is hard to pull or retract.



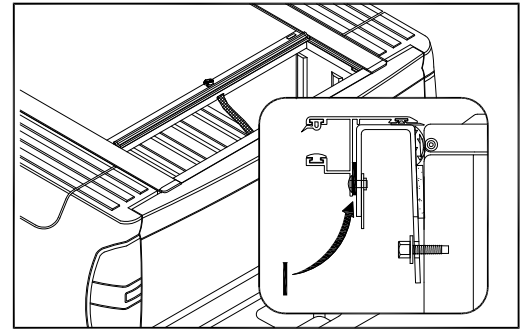
Spray 303[®] on a rag and wipe the top gasket in the Track back and forth.



Gap between track(s) and tailgate extrusion causing cover not to latch.



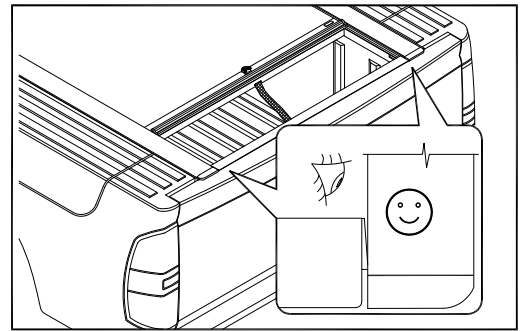
Shim track(s) in to tailgate extrusion.



Cover does not latch.



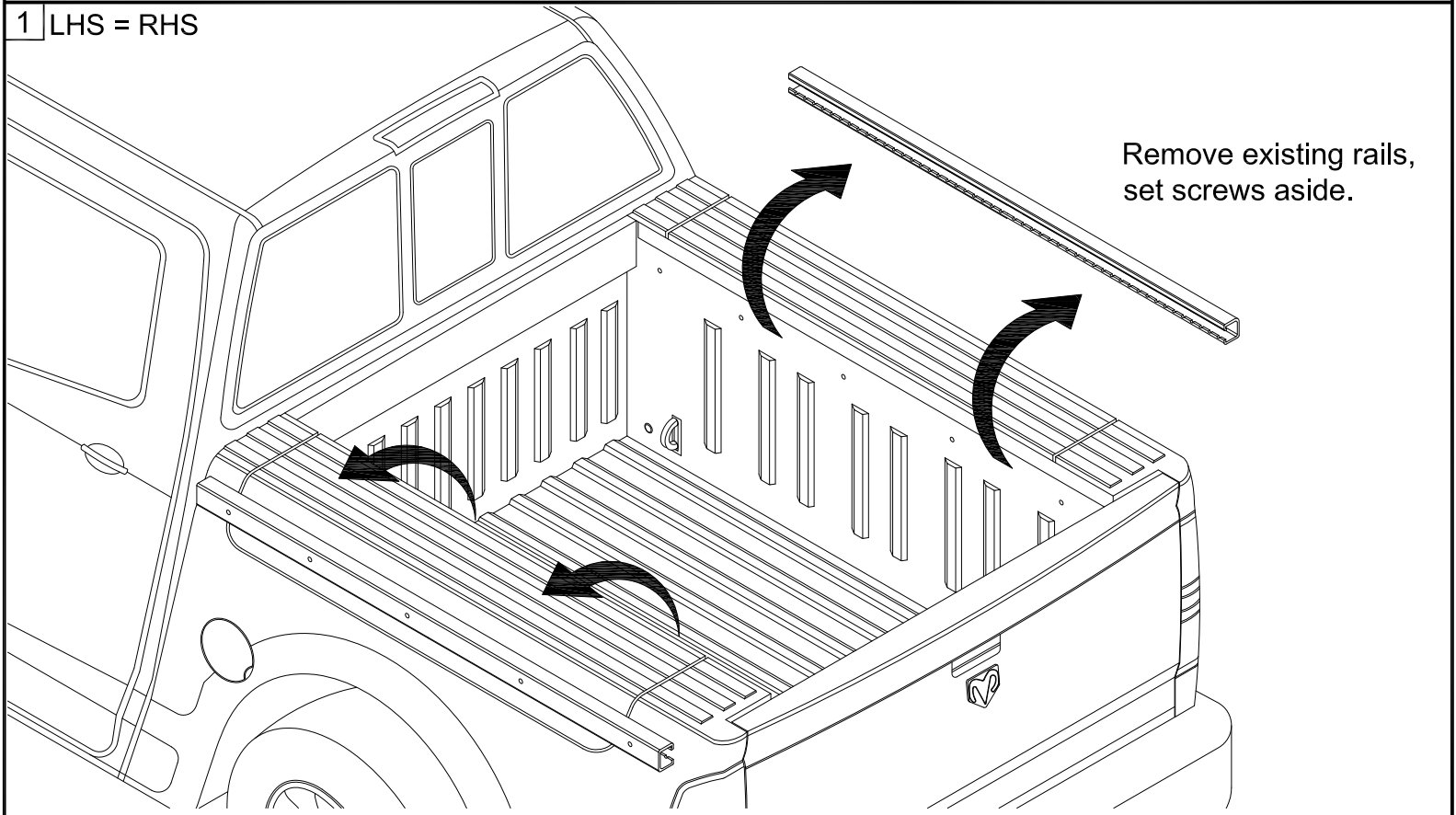
Make sure Tracks are back up against tailgate.



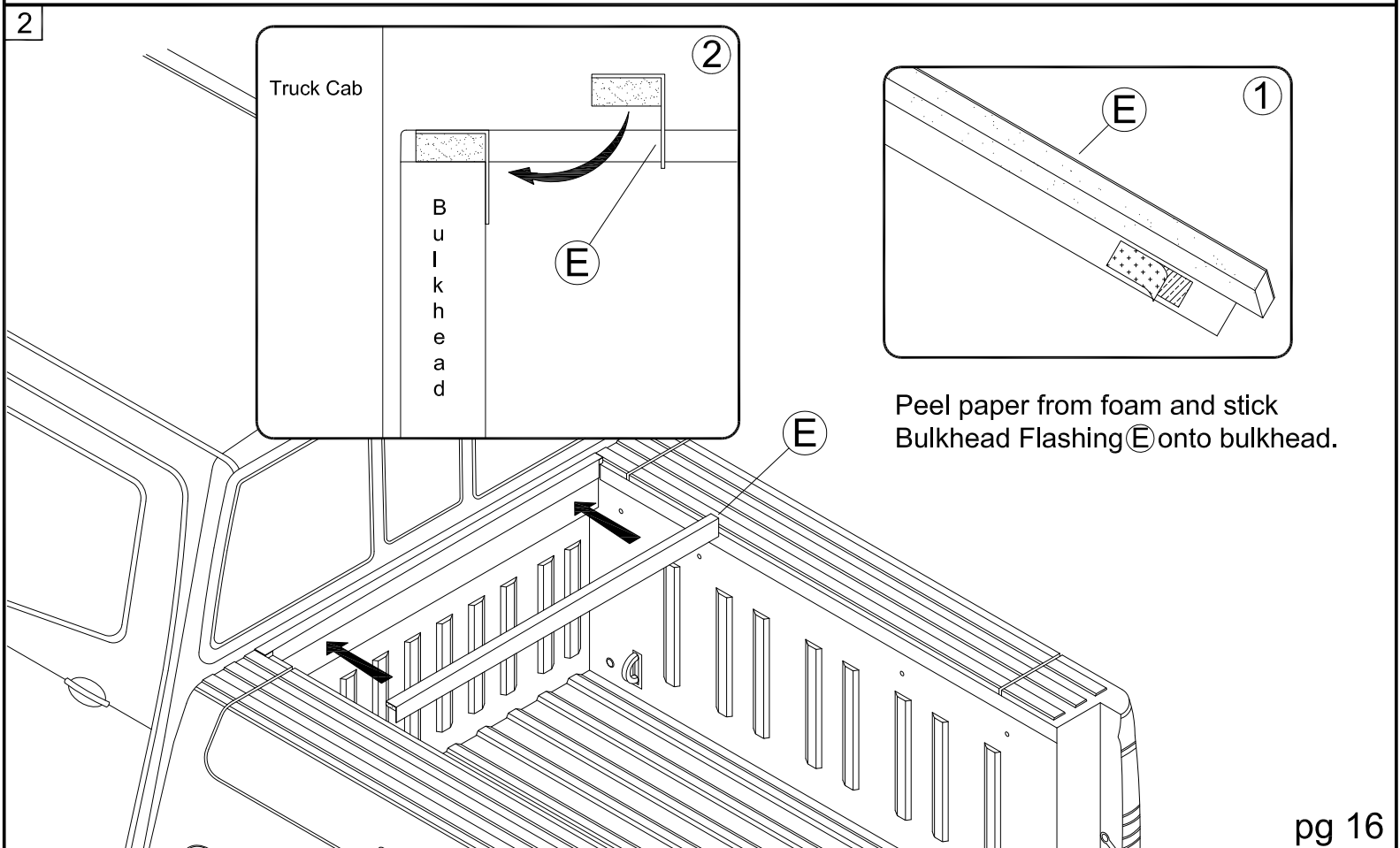
Any questions please call Customer Service at 800-952-7655
or email customerservice@rollnlock.com

IF TRUCK TAILGATE LOCKS AND UNLOCKS WITH KEY FOB OR A TAILGATE EXTRUSION © IS NOT WANTED PROCEED WITH PAGES 16 - 27.

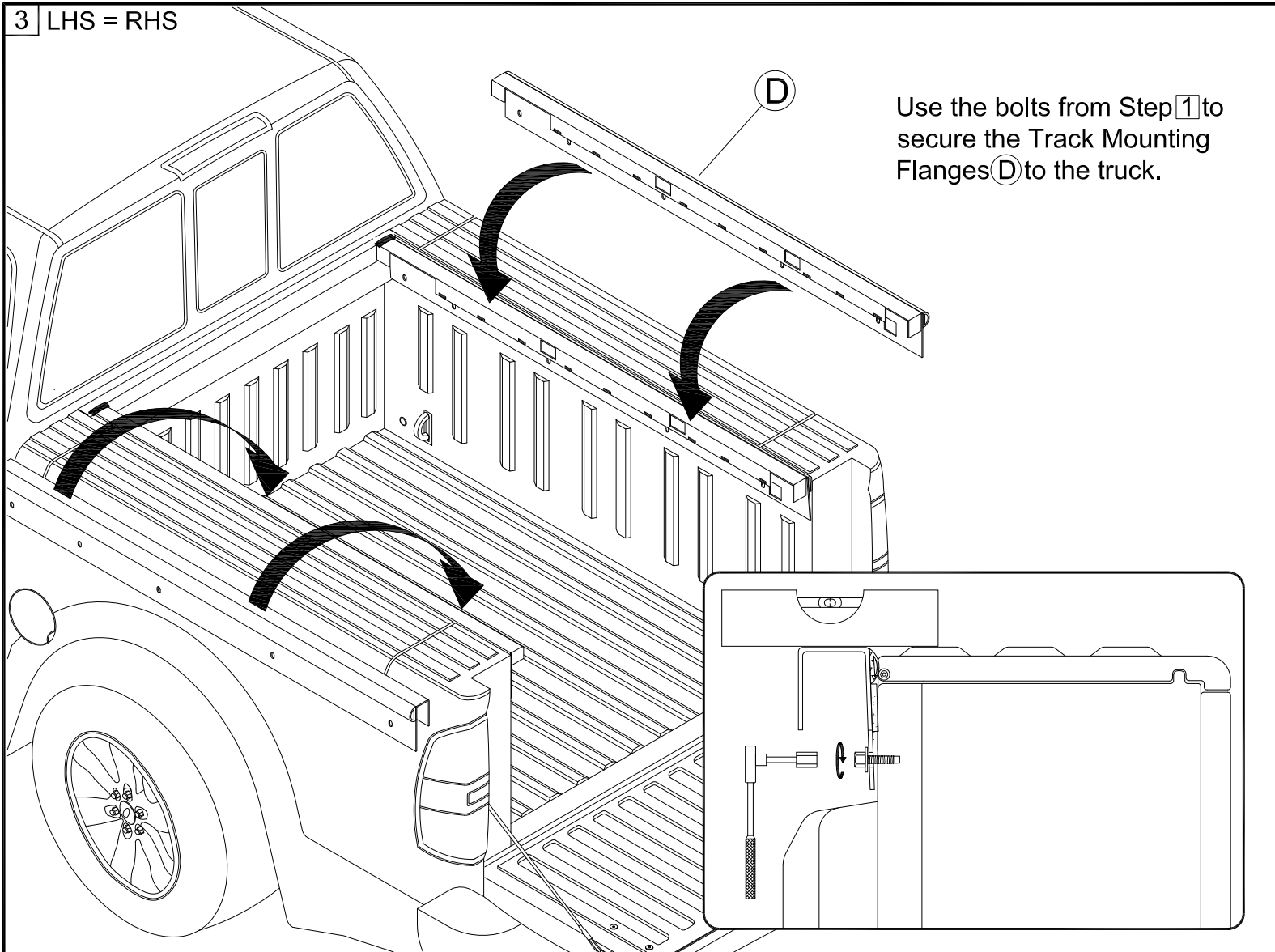
1 LHS = RHS



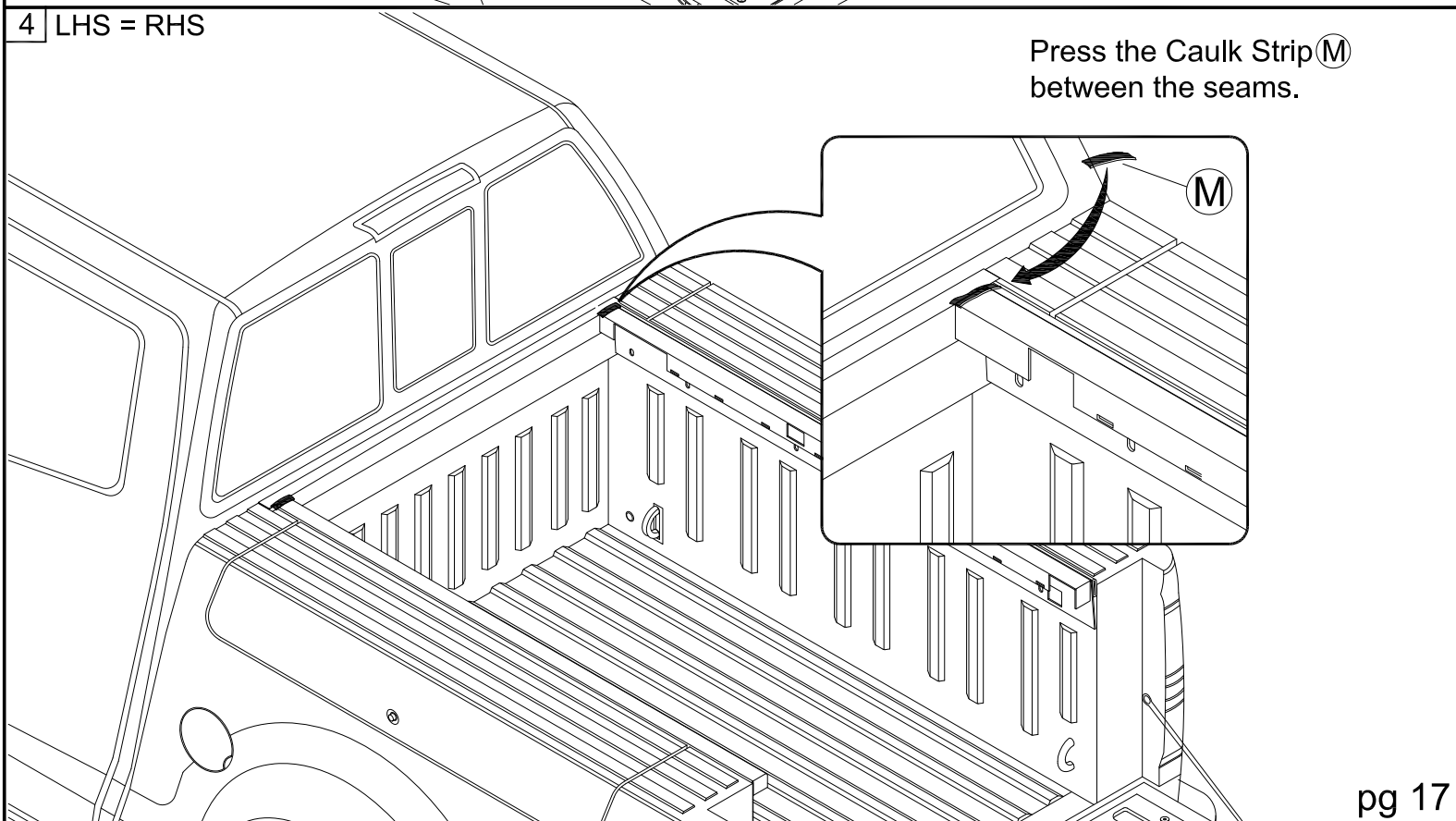
2



3 LHS = RHS

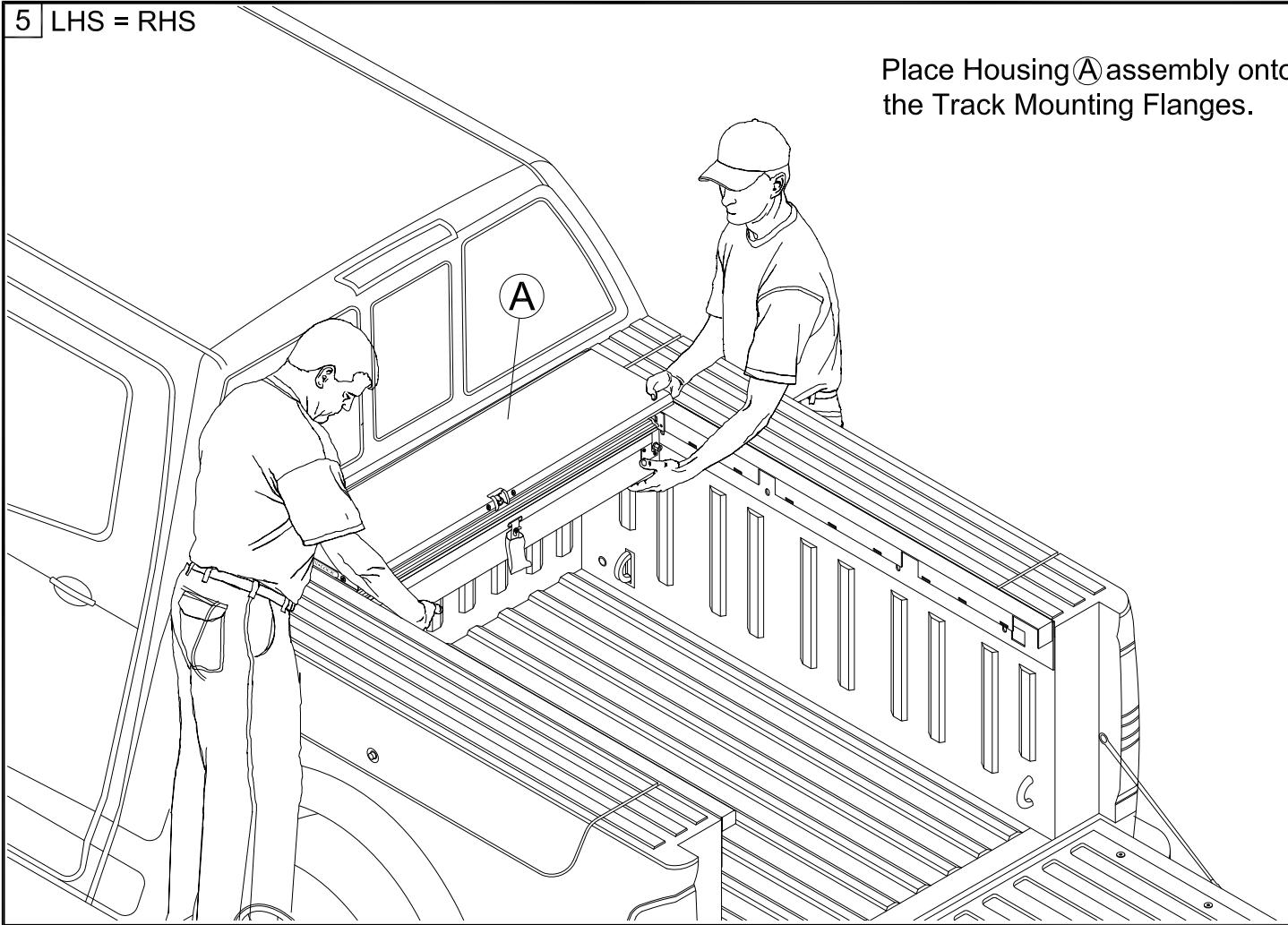


4 LHS = RHS



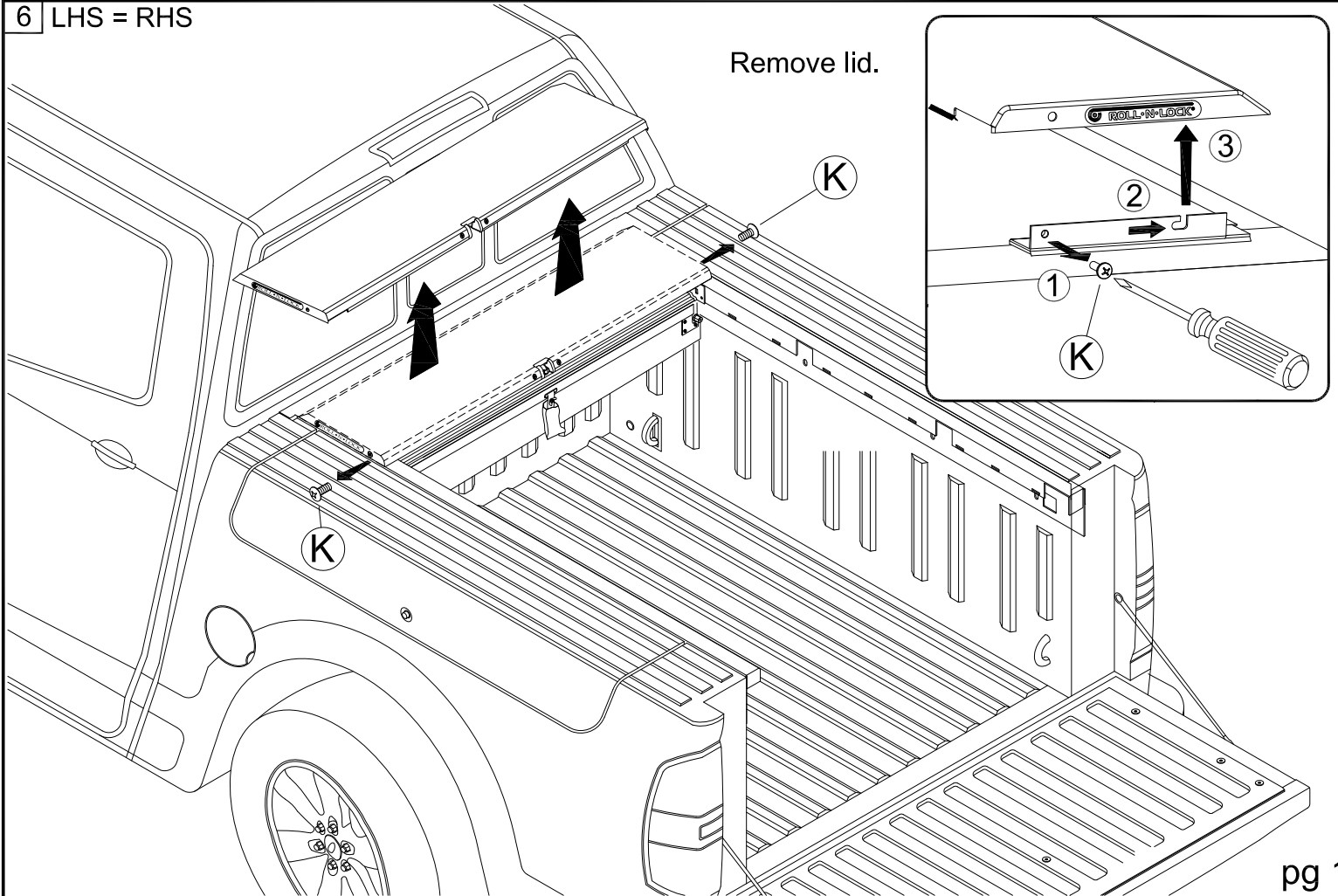
5 LHS = RHS

Place Housing **A** assembly onto the Track Mounting Flanges.



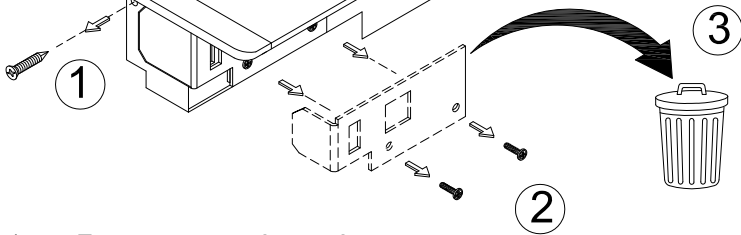
6 LHS = RHS

Remove lid.

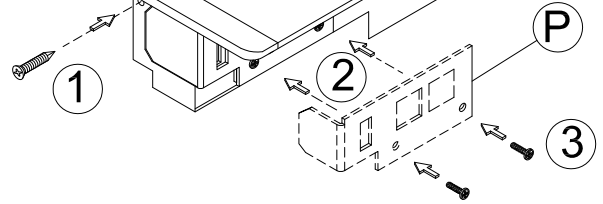


7 LHS = RHS

On the tracks replace
STD striker plates with
NT striker plates (P).

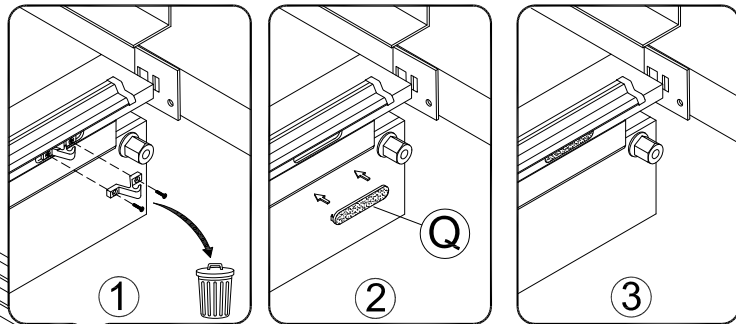


1. Remove track gasket screw.
2. Remove both f-point screws.
3. Discard striker plates.



1. Replace screw to secure track gasket screw.
2. Insert supplied NT striker plate (P).
3. Secure with f-point screws.

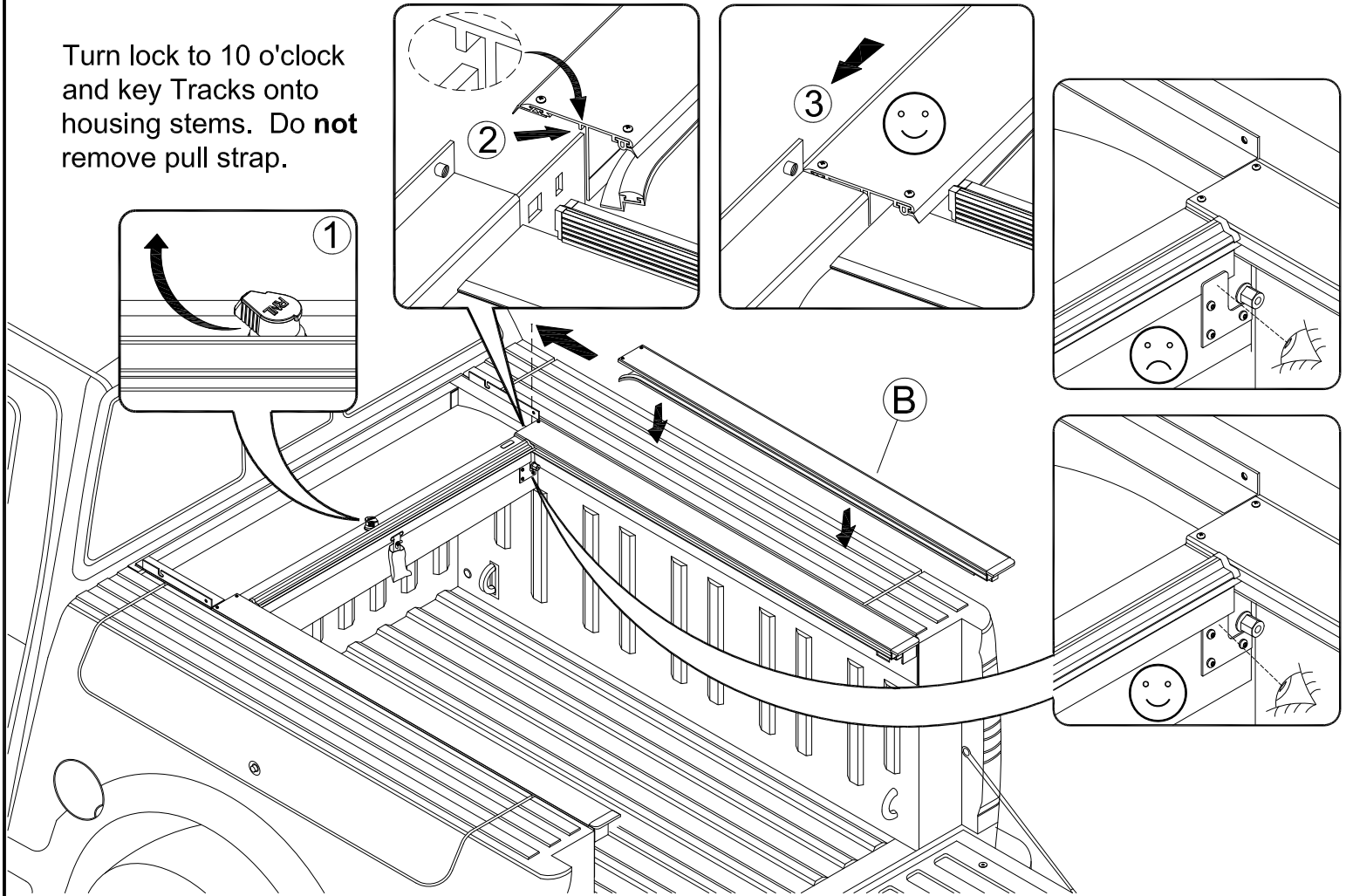
8 LHS = RHS



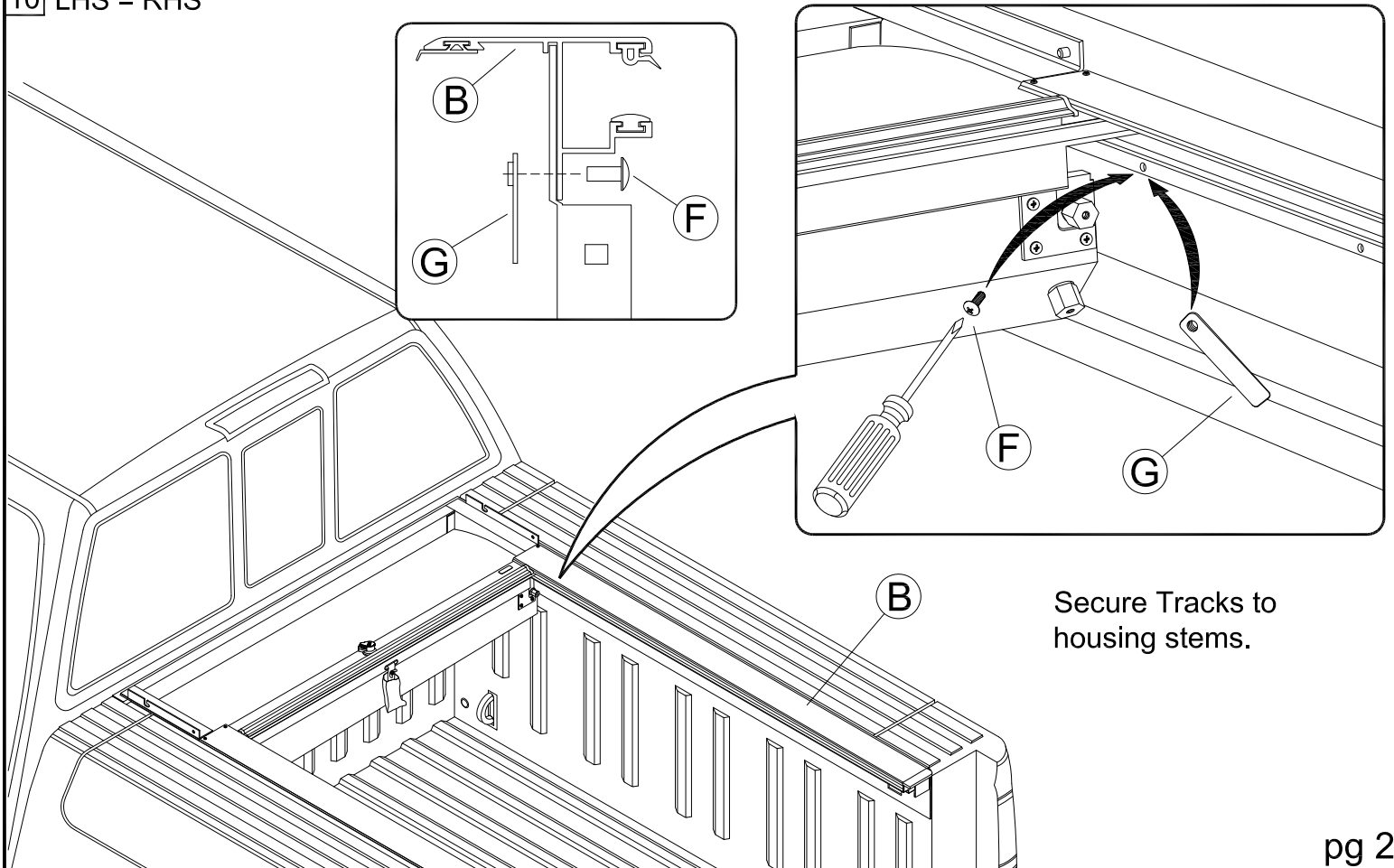
Remove hook latches
and snap in hook latch
cap (Q).

9 LHS = RHS

Turn lock to 10 o'clock and key Tracks onto housing stems. Do not remove pull strap.

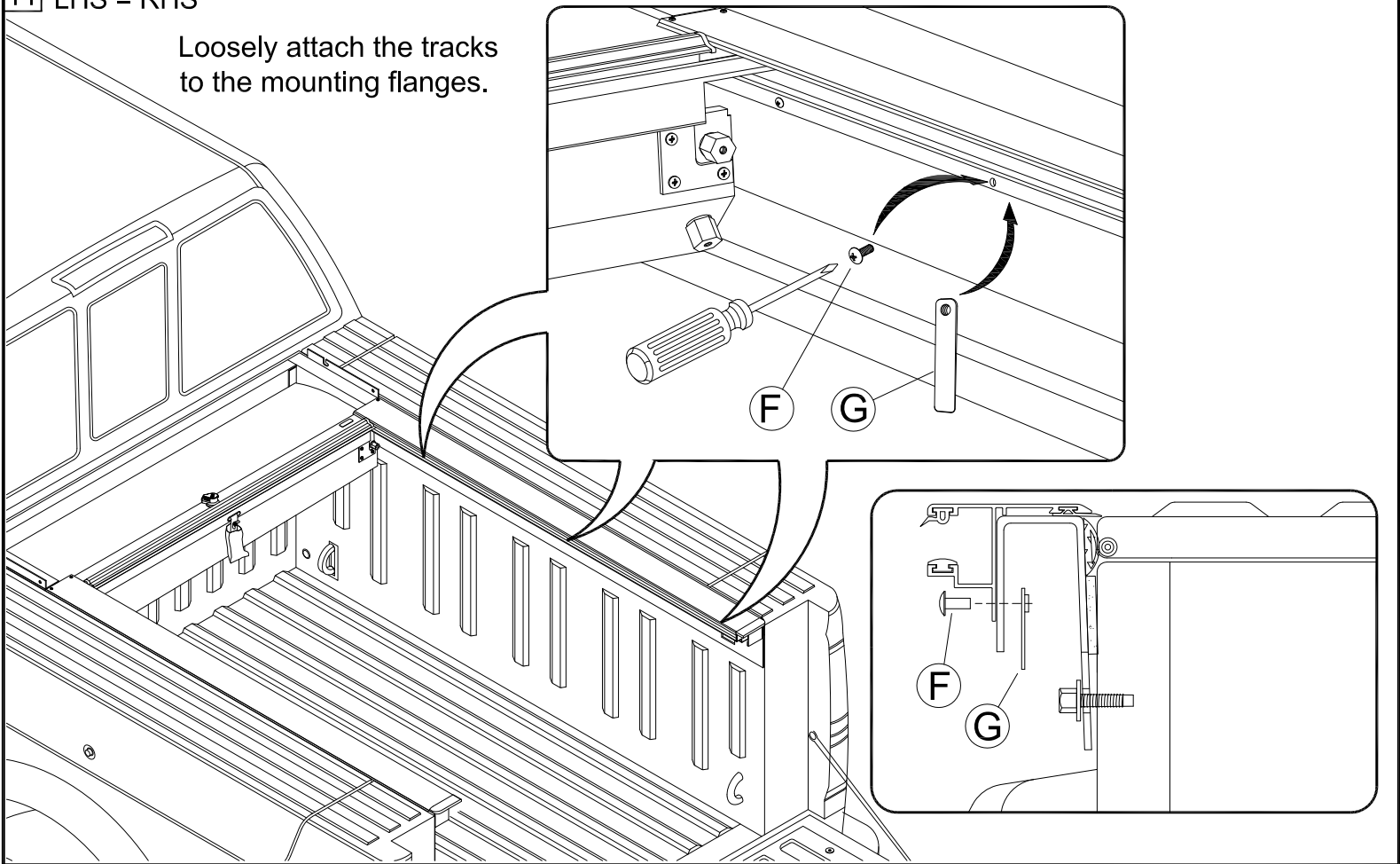


10 LHS = RHS



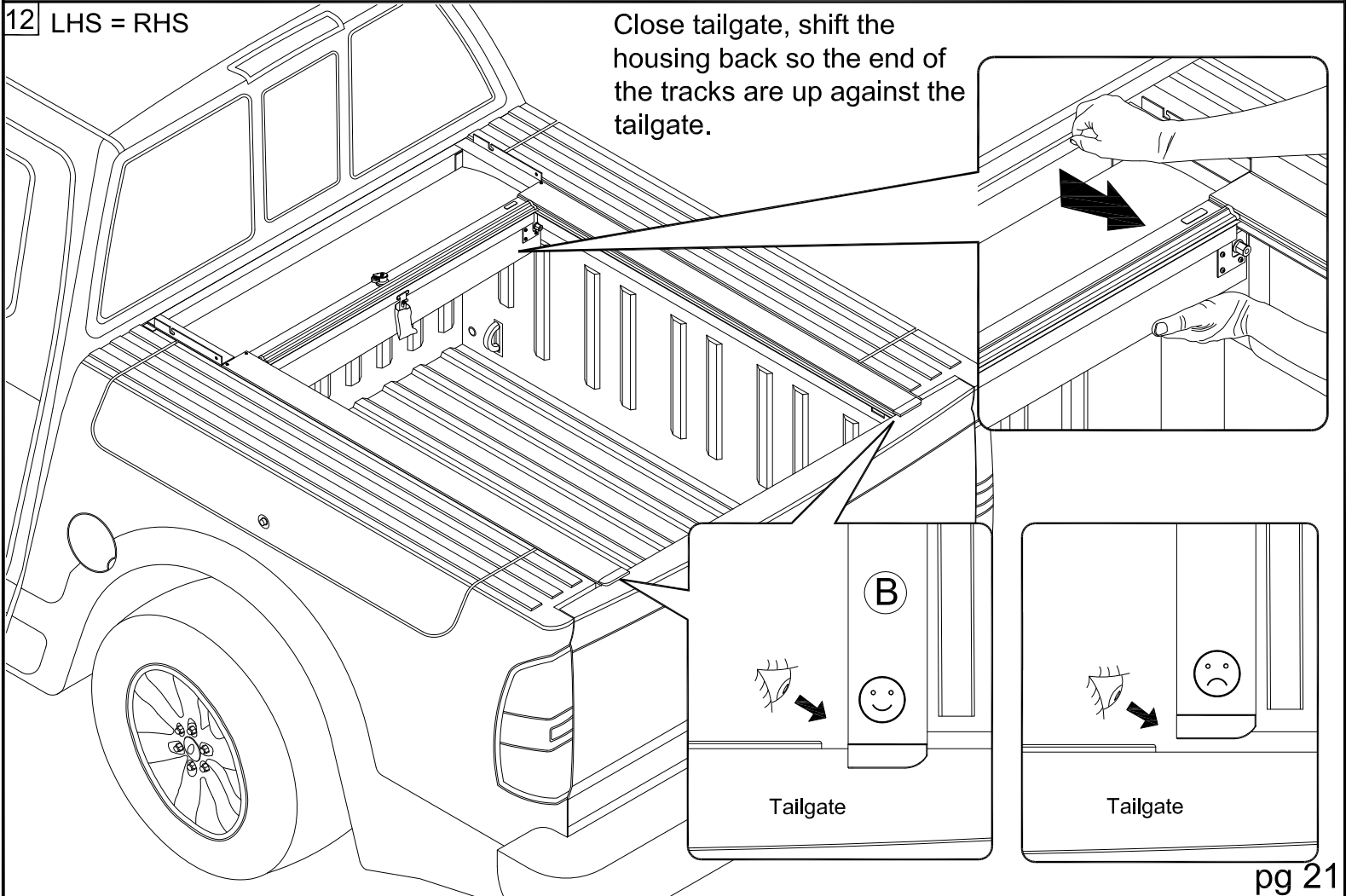
11 LHS = RHS

Loosely attach the tracks to the mounting flanges.

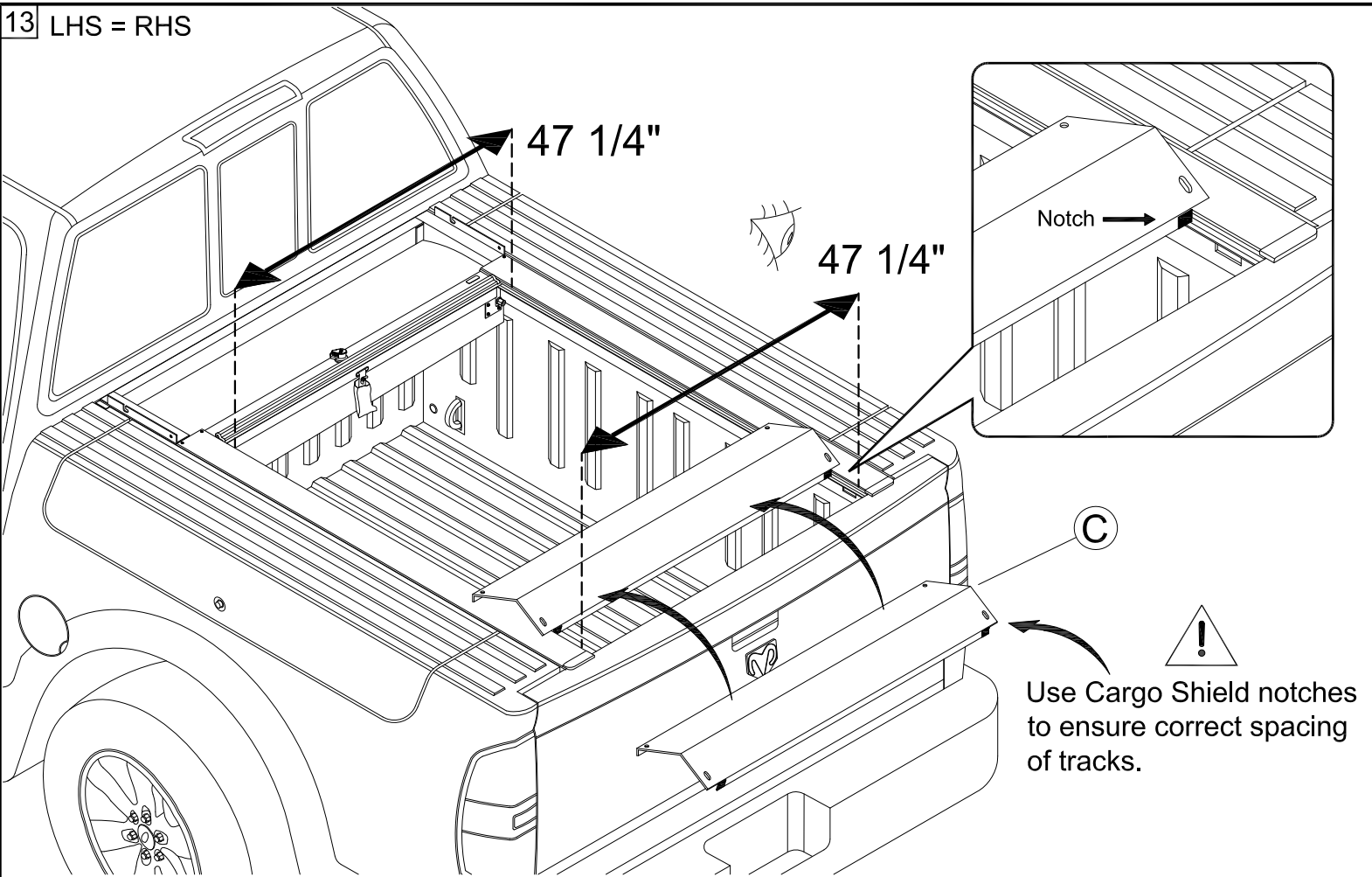


12 LHS = RHS

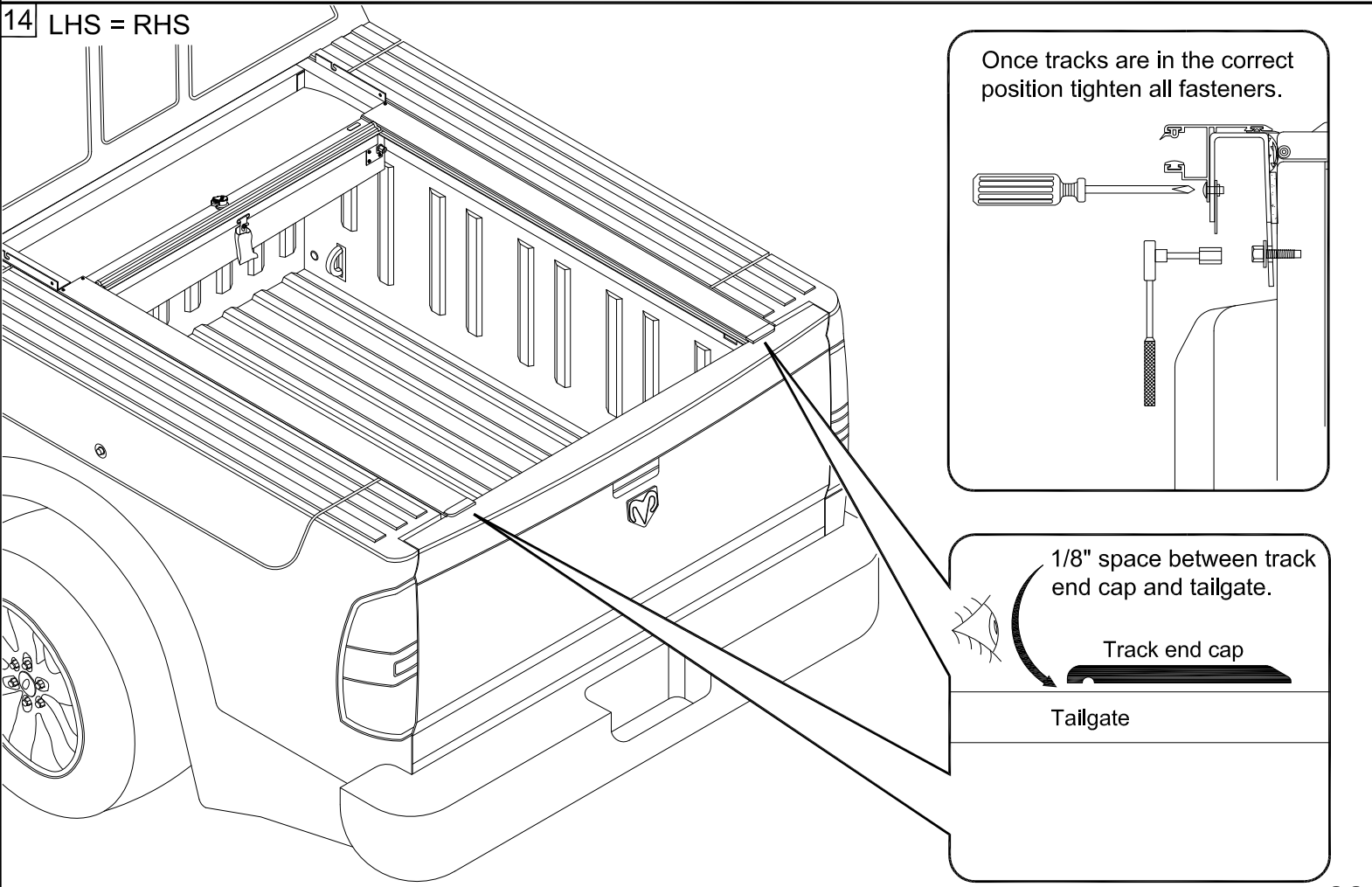
Close tailgate, shift the housing back so the end of the tracks are up against the tailgate.



13 LHS = RHS

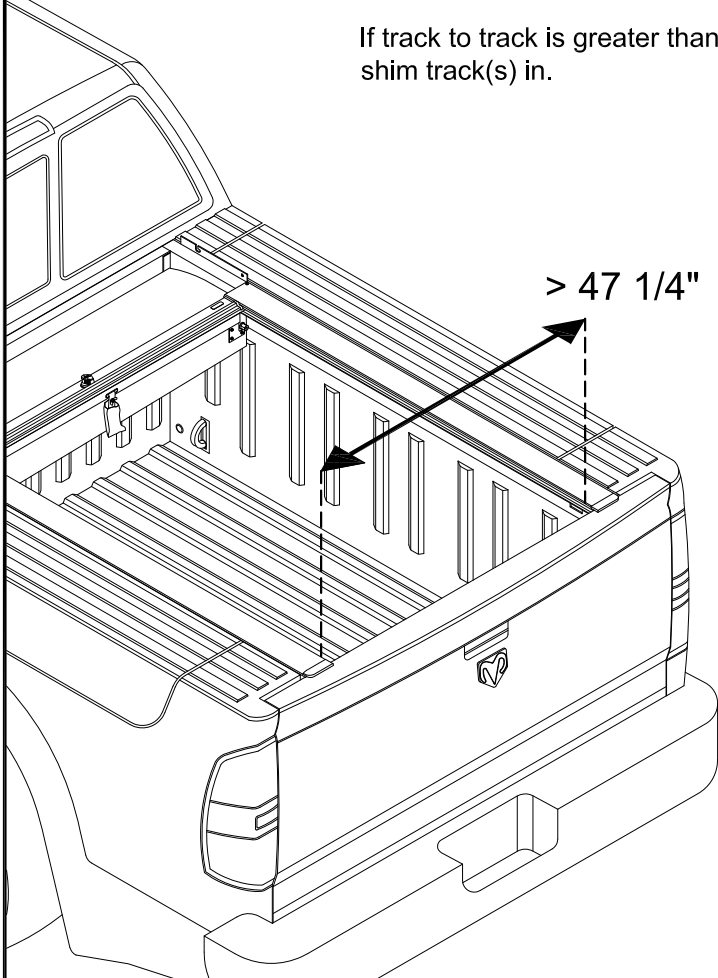


14 LHS = RHS

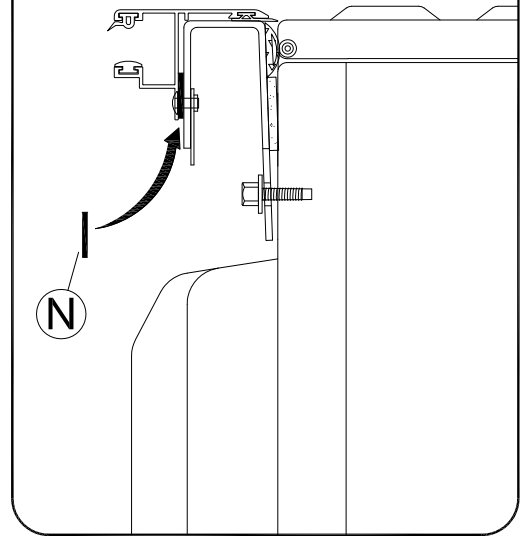


14a

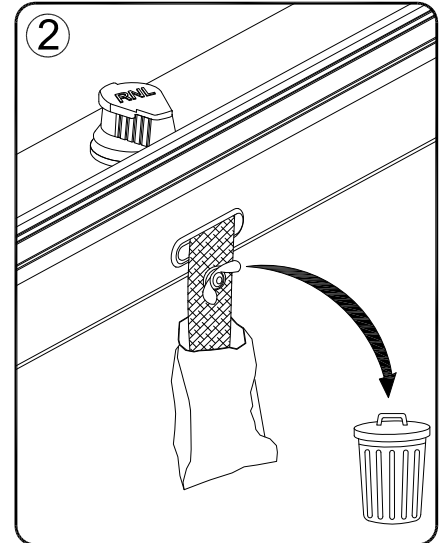
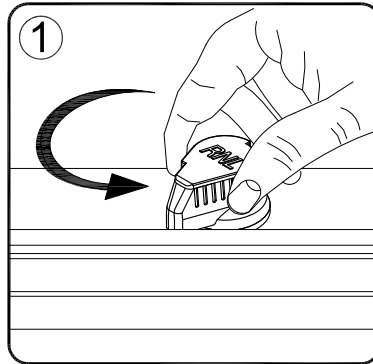
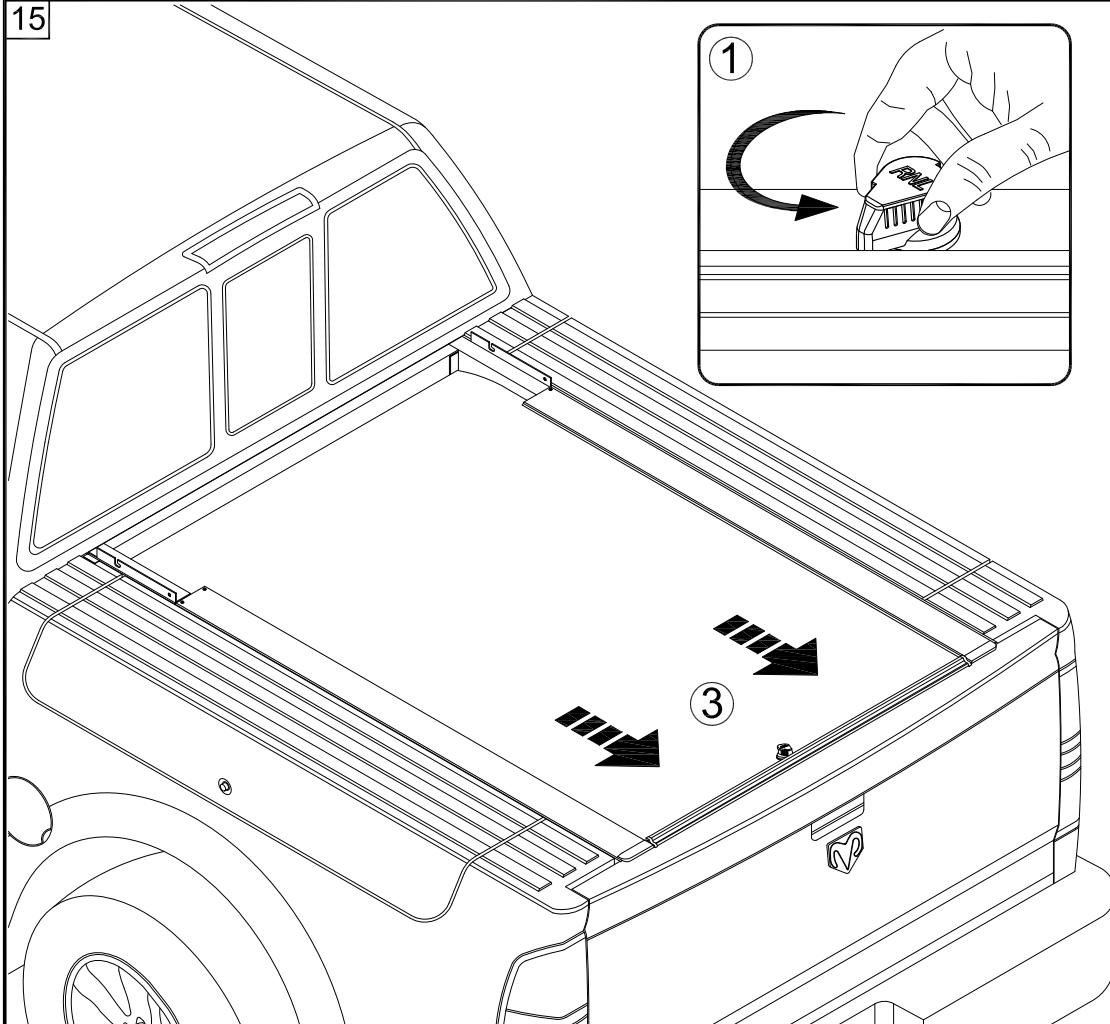
If track to track is greater than 47 1/4" shim track(s) in.



Use shim(s) **N** between track(s) and flange to adjust accordingly.

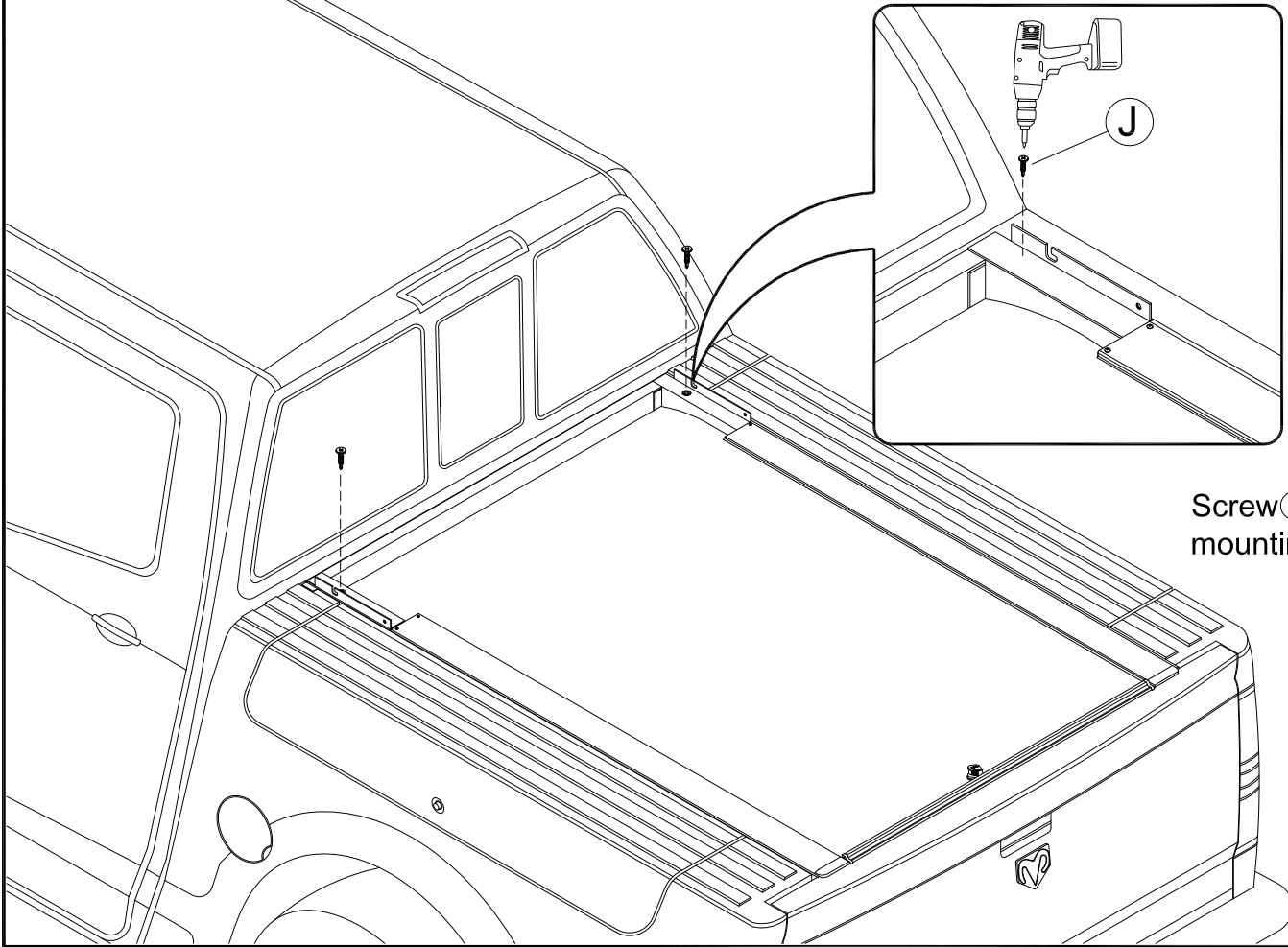


15



Turn lock to 7 o'clock, remove plastic wing nut and pull cover back to tailgate.

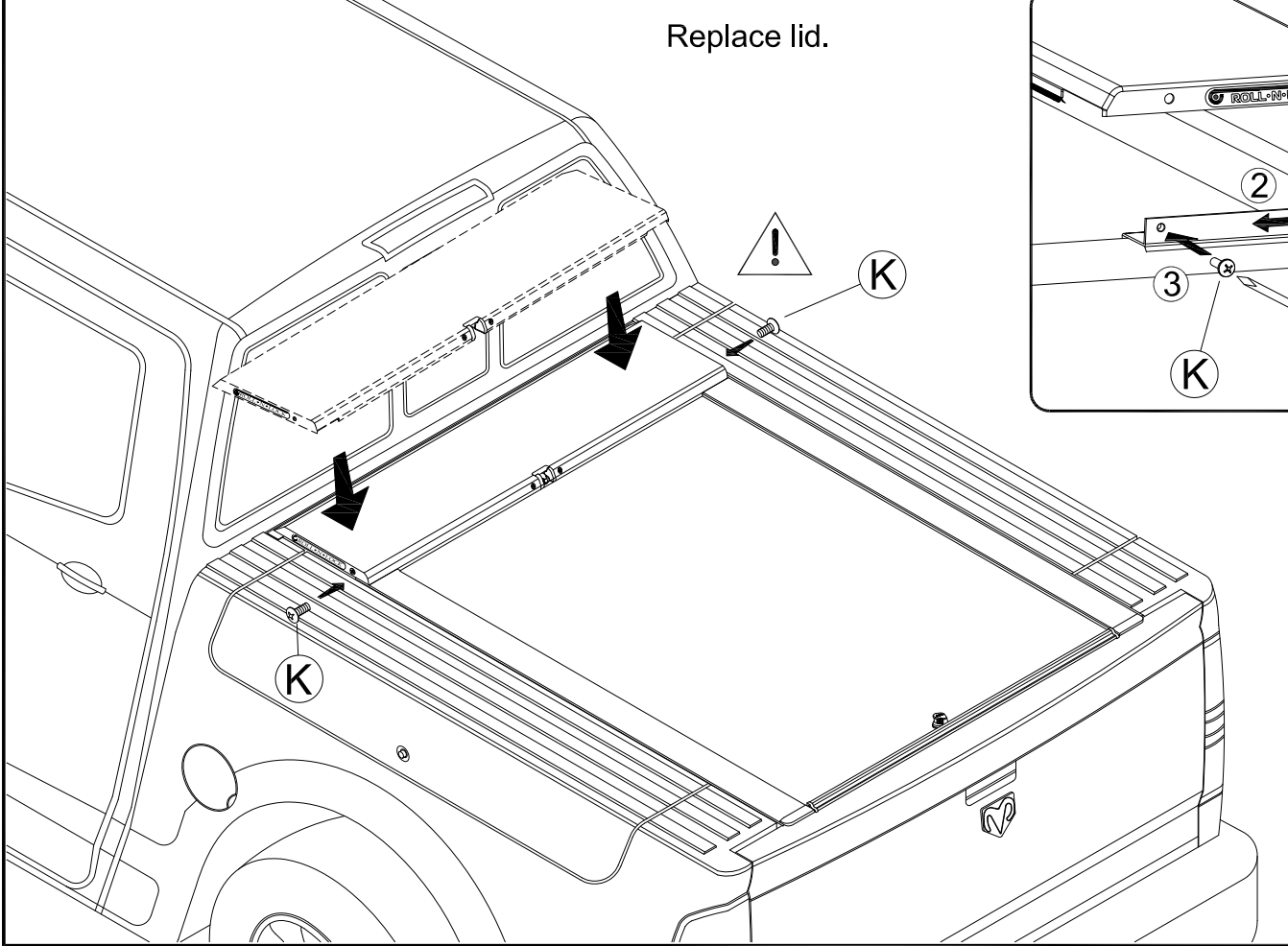
16 LHS = RHS

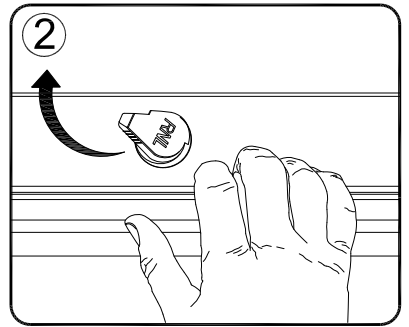
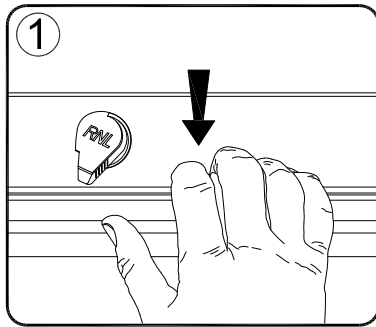
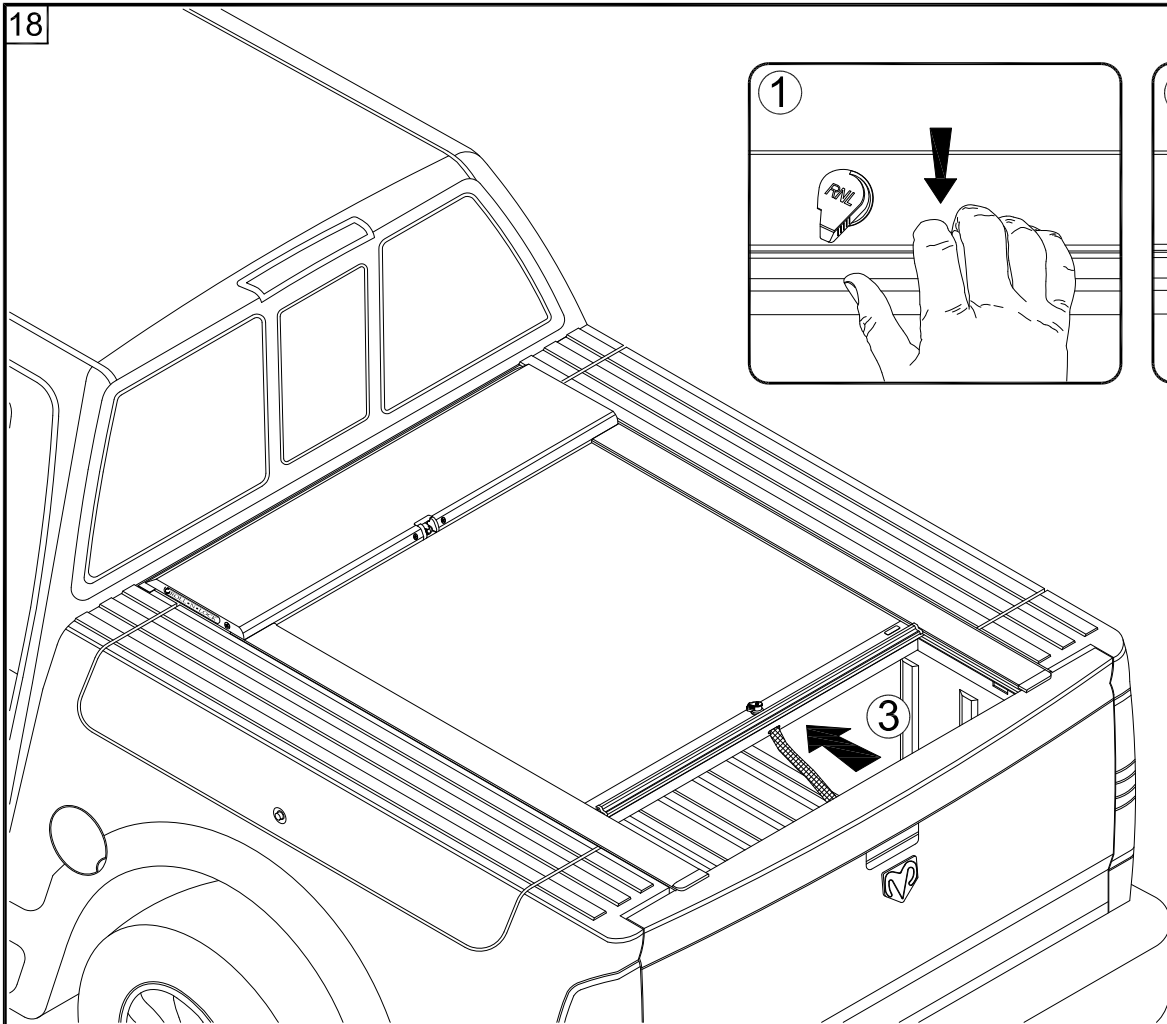


Screw **J** housing to mounting flange.

17 LHS = RHS

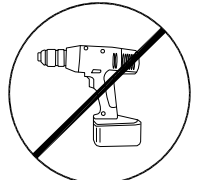
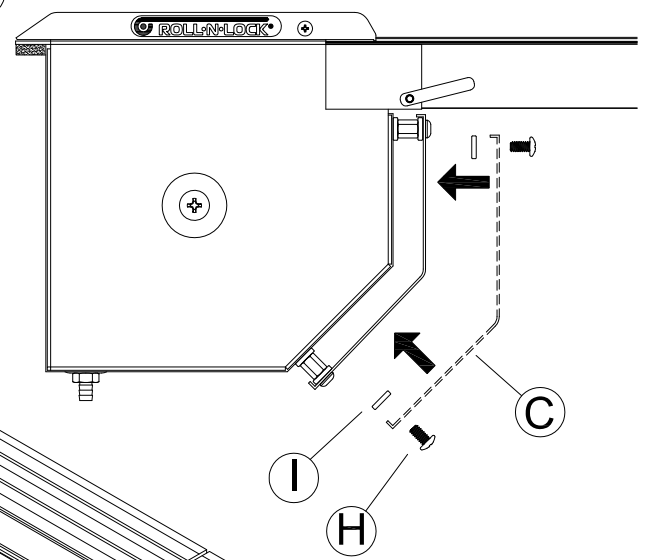
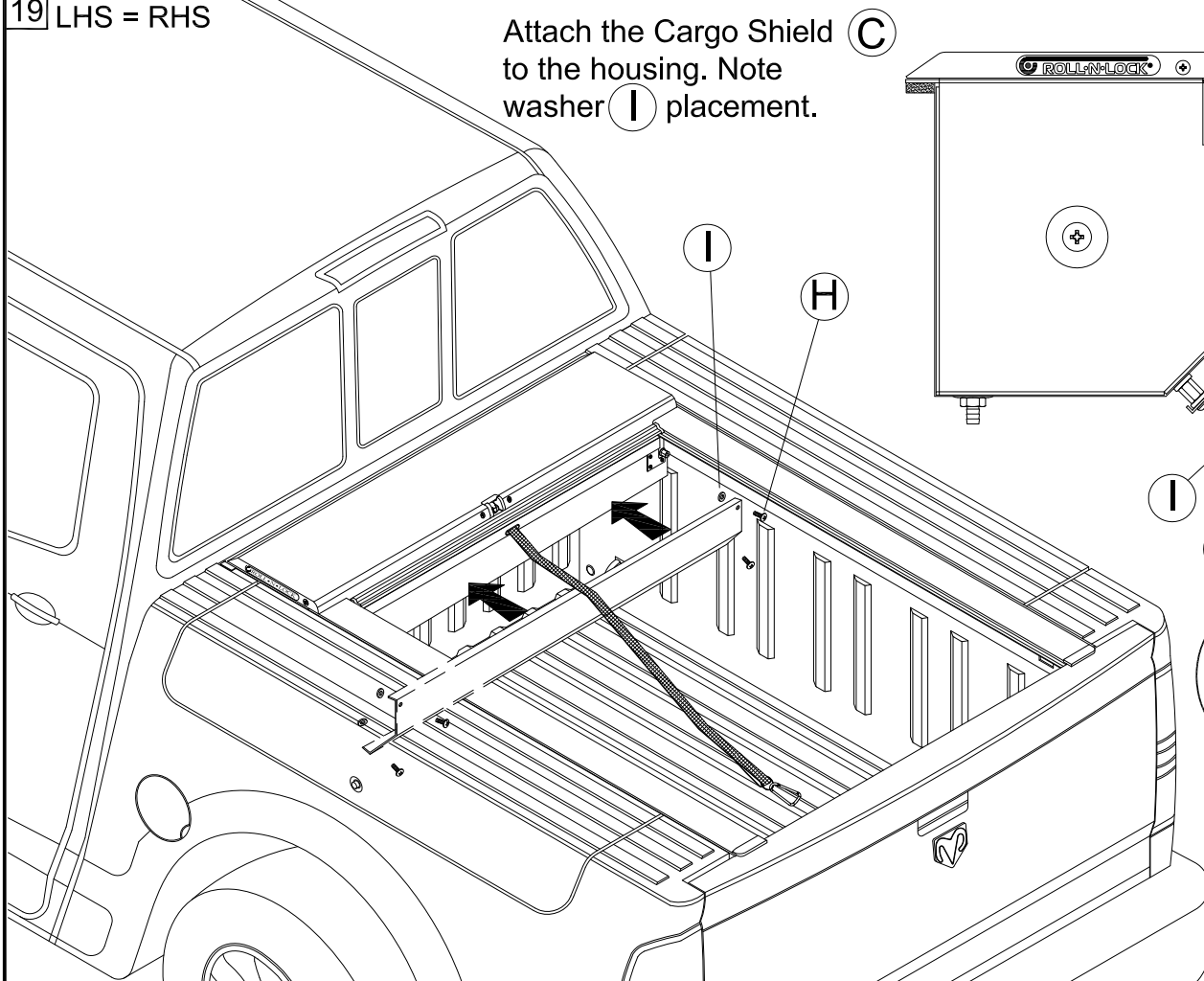
Replace lid.

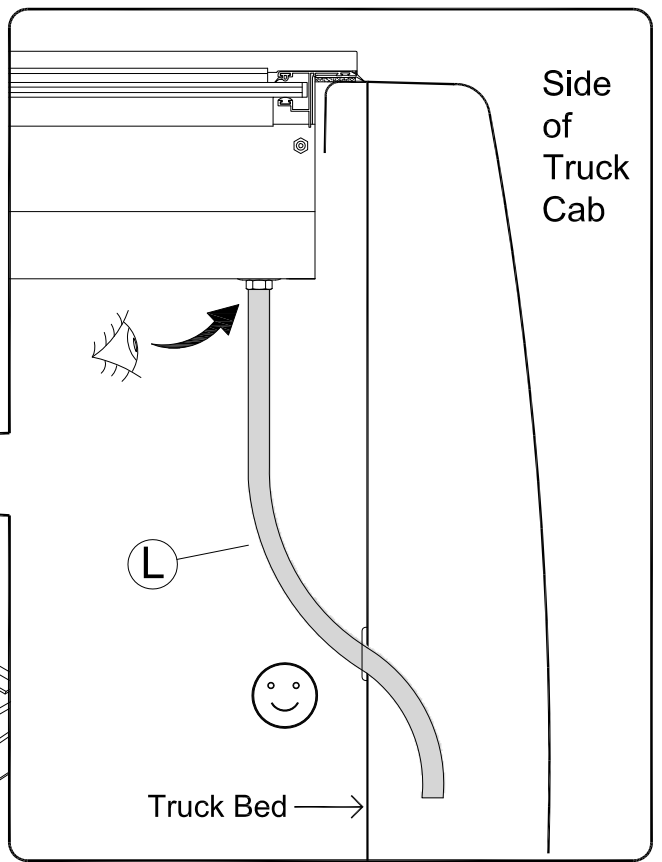
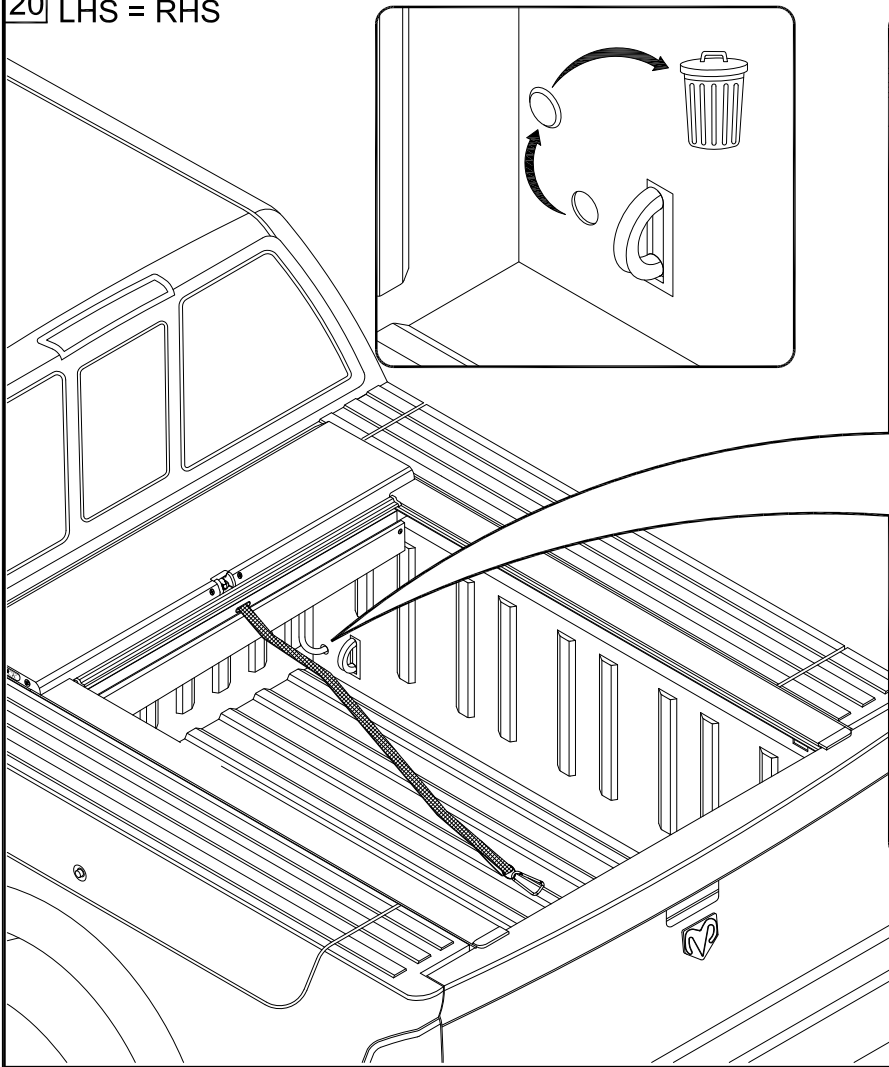




To open cover pull back on the handle, turn the lock to 10 o'clock and let the cover retract into the housing while holding onto the pull-strap.

Attach the Cargo Shield (C) to the housing. Note washer (I) placement.

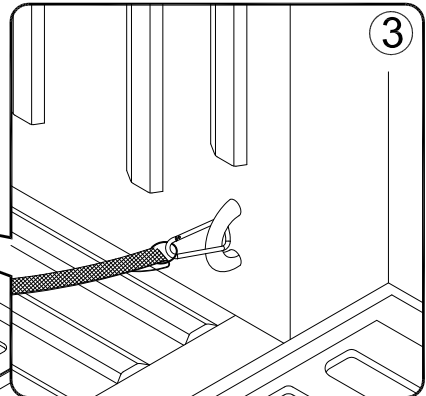
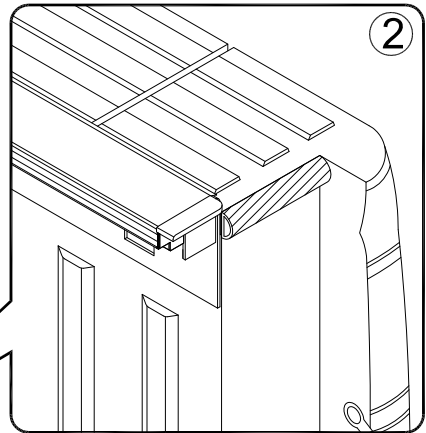
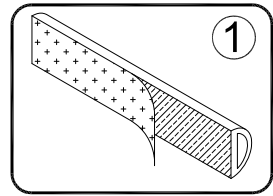
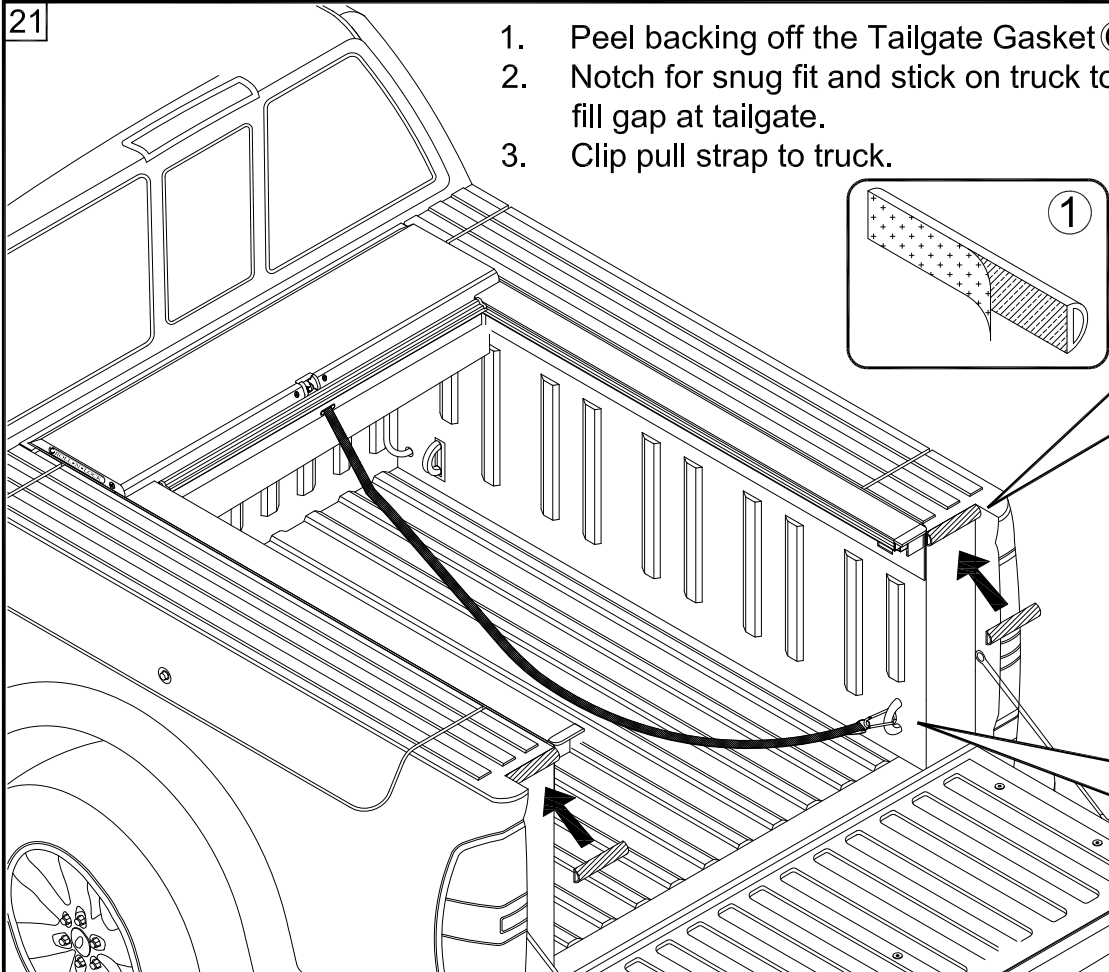




Side of Truck Cab

Fit one end of the Drain Tube **L** onto housing and insert other end into the existing hole on the side of truck.

1. Peel backing off the Tailgate Gasket **O**.
2. Notch for snug fit and stick on truck to fill gap at tailgate.
3. Clip pull strap to truck.

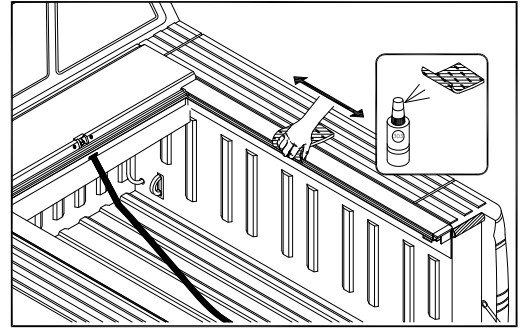


Troubleshooting

Cover is hard to pull or retract.



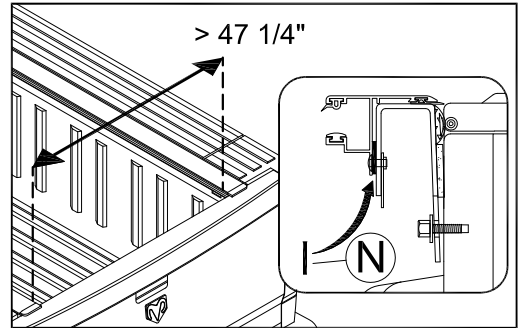
Spray 303[®] on a rag and wipe the top gasket in the Track back and forth.



Cover does not latch.



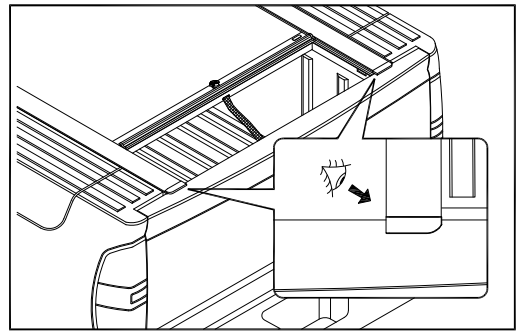
Shim track(s) in.



Cover does not reach tailgate.



Loosen fasteners so tracks can be shifted to tailgate, retighten fasteners.



Any questions please call Customer Service at 800-952-7655
or email customerservice@rollnlock.com