

# INSTALLATION SHEET

Any damaged or missing parts?

Parts will be shipped to you directly.

Call 818-365-9000 Mon - Fri 8:30 am - 7:00 pm EST

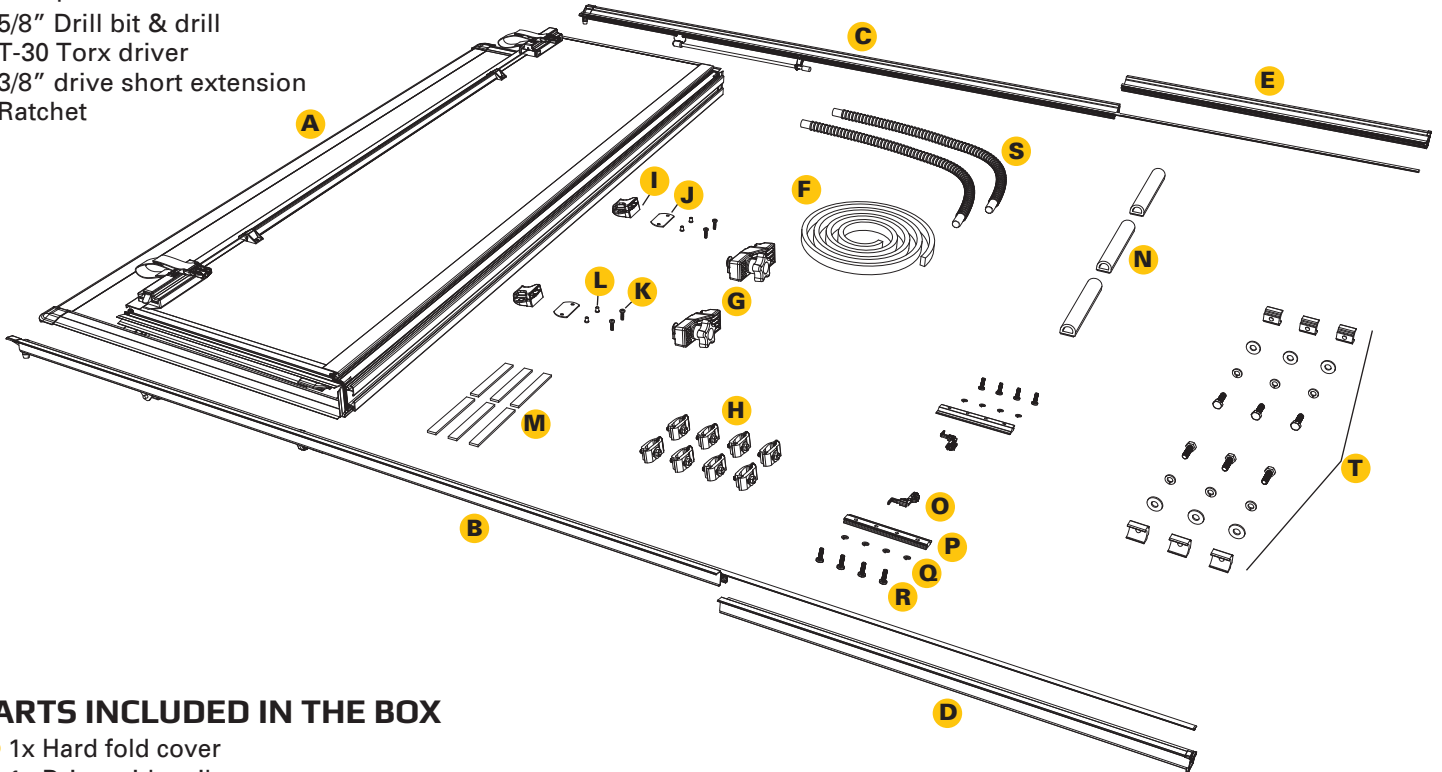
or email [support@bakindustries.com](mailto:support@bakindustries.com)



## TOOLS REQUIRED

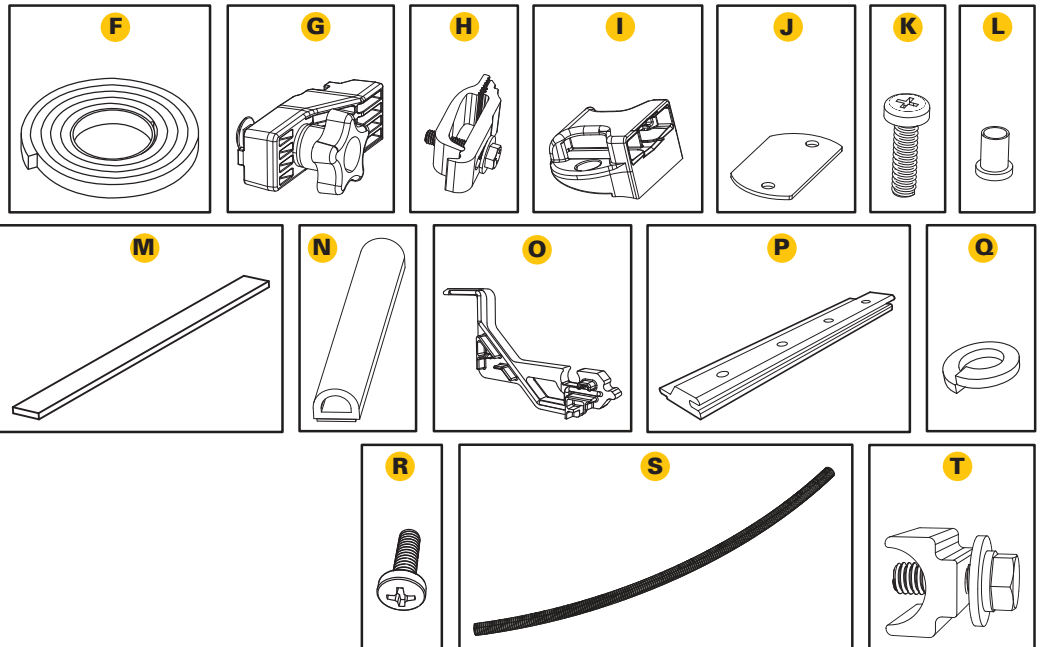
- Scissors or utility knife
- Isopropyl alcohol
- 1/2" Wrench or socket
- Phillips screwdriver
- 5/8" Drill bit & drill
- T-30 Torx driver
- 3/8" drive short extension
- Ratchet

**NOTE:** It is important that all areas where the bed cover mounts are clean and free of debris prior to installing.

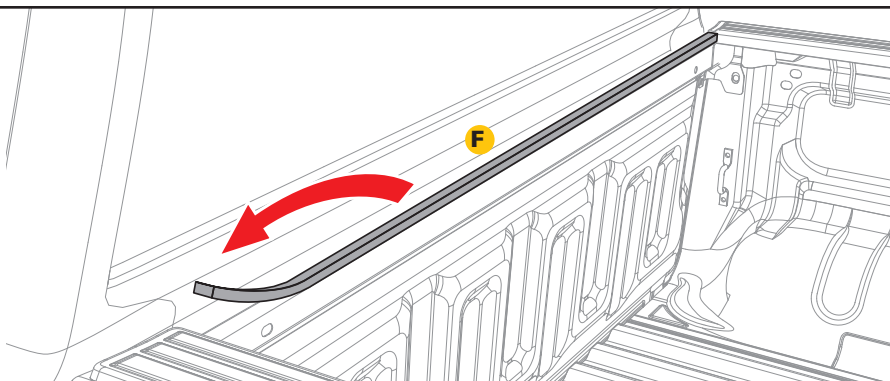


## PARTS INCLUDED IN THE BOX

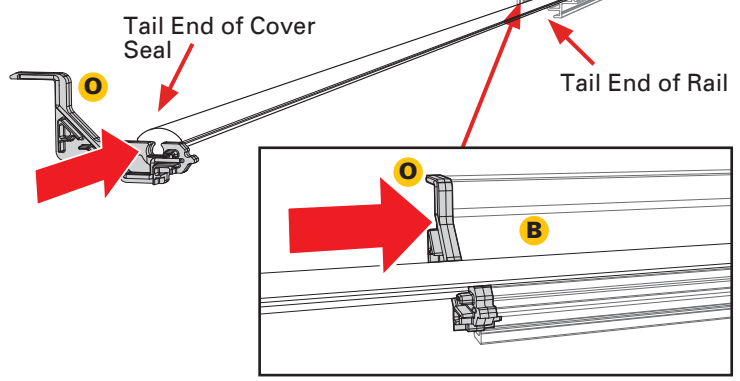
- A** 1x Hard fold cover
- B** 1x Driver side rail
- C** 1x Passenger side rail
- D** 1x Driver side rail extender
- E** 1x Passenger side rail extender
- F** 1x Bulkhead seal
- G** 2x Cover retainer clamps
- H** 8x Clamps
- I** 2x Buckle ends
- J** 2x Gaskets
- K** 4x Screws
- L** 4x Nutserts
- M** 6x Rubber filler strips
- N** 3x D-shaped cab bumpers
- O** 2x Rail connectors
- P** 2x Rail couplers
- Q** 8x Lock washers
- R** 8x Screws
- S** 8x 2x Drain tubes
- T** 6x T-nut kits (5/16" flat washer, 5/16" lock washer, hex head bolt)



**1 Installing Seal:** If a bulkhead seal (F) is included with the cover (A), clean the top of the bulkhead with soap and water to remove dirt and debris. Clean the area with isopropyl alcohol to remove wax or grease and to evaporate any remaining water. Allow the surface to dry. Peel the backing and adhere the seal from one bulkhead edge to the other. Remove any excess with scissors or a utility knife. Apply pressure evenly to the entire seal to ensure proper adhesion. If the truck has a drop-in bedliner, no seal will be needed.

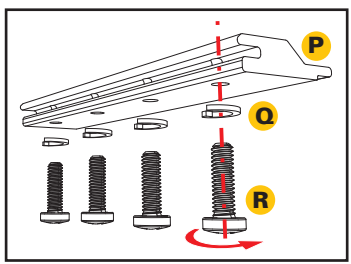


**2 Installing Rail:** The driver side rail (B) section has the full seal already installed when shipped. **Note:** No cutting of the cover seal needed. Take the rail connector (O) and slide on to the tail end of the cover seal. Then snap the rail connector (O) on to the tail end of the driver side rail (B). Repeat on passenger side.

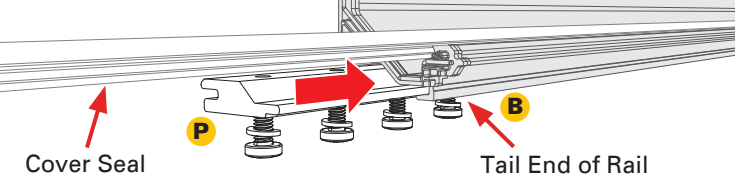


**3 Installing Rail Coupler:** Install four screws (R), four lock washers (Q) into the rail coupler (P) to get them assembled.

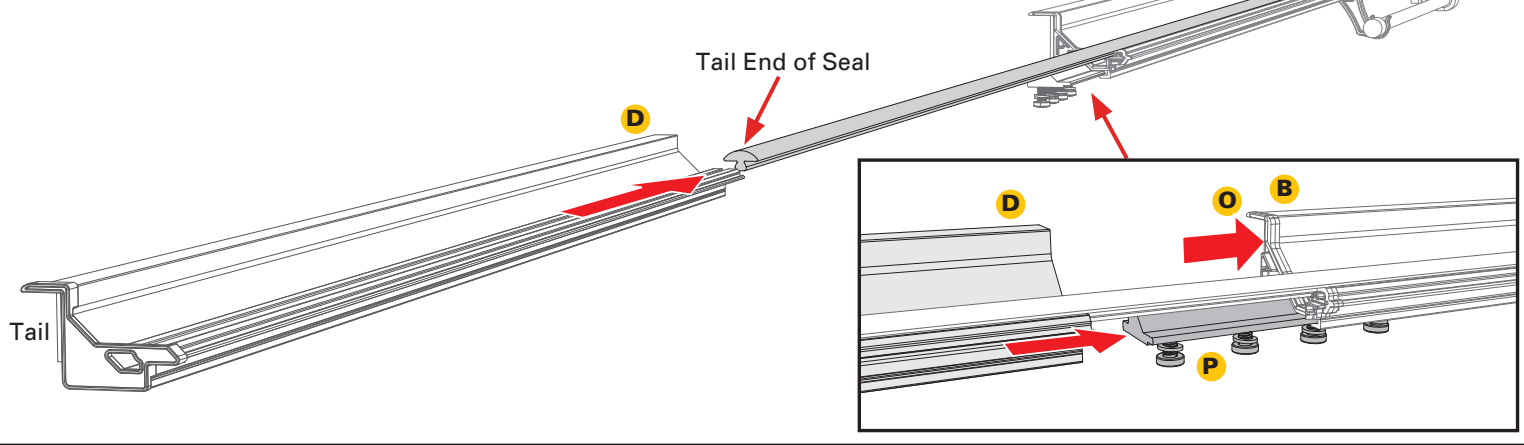
**Note:** Assemble both couplers (P) at this time so you have them ready when you put both rail sections together.



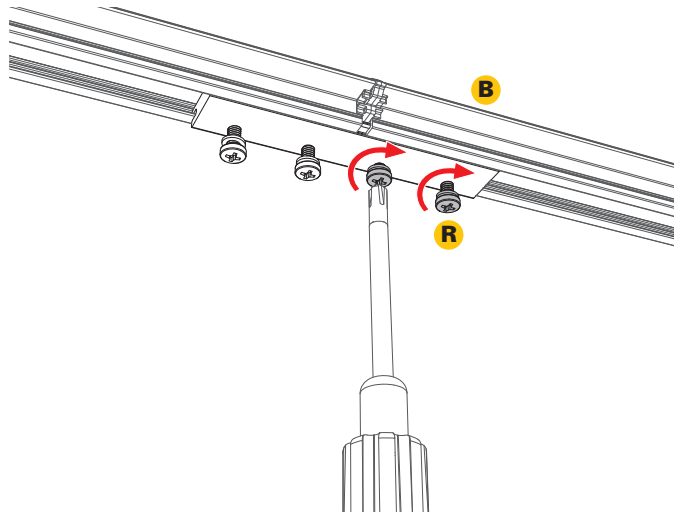
Then slide the assembled rail coupler (M) into the bottom end of the driver side rail (B) section as shown.



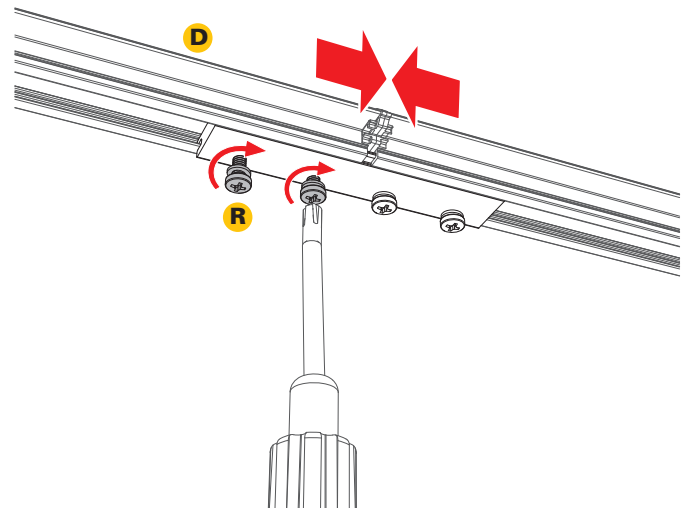
**4 Installing Rail and Rail Extender:** Slide driver side rail extender (D) on to the tail end of the seal pushing the rail toward the driver side rail (B). The bottom end of the driver side rail extender (D) slides into the rail coupler (P) and then into the rail connector (O), similar to what you did in step three. Push the end of the rail extender (D) into the rail connector (O) snapping it in place. Repeat on opposite side with the passenger side rail (C) passenger side rail extender (E).



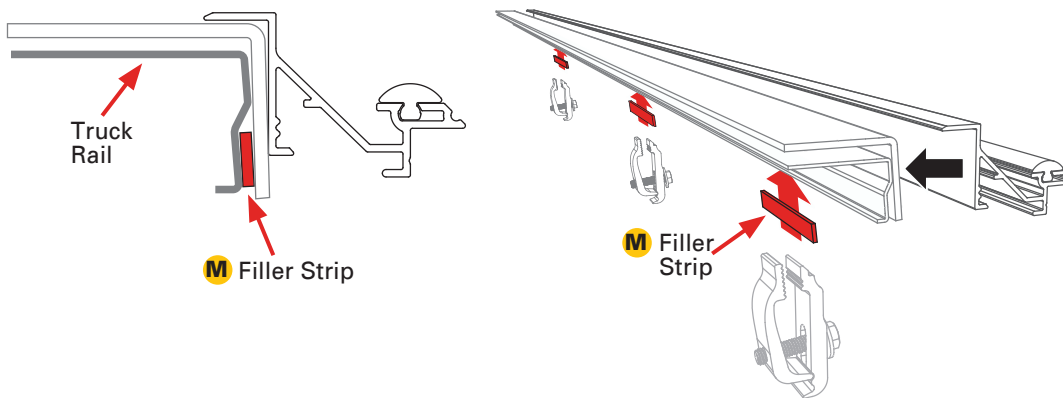
**5** After both rail sections are slid together, tighten both screws (R) on the driver side rail (B) with a Phillips screwdriver. Repeat on passenger side.



Then tighten both screws (R) on the driver side rail extender (D) with a Phillips screwdriver. Repeat on passenger side.



**6** If rubber filler strips (M) were **NOT** included in your kit, skip to step 7. If you received rubber filler strips (M) with the cover (A), clean the rail the same way as you did in step 1. Peel the backing and adhere the filler strips (M), as illustrated, between the truck plastic bed cap and truck metal rail. Place one 6-8 inches from the bulkhead. Place the rear strip as close to the tailgate as possible. Center the middle strip appropriately.



**IMPORTANT:** In order for the cover (A) to operate properly the side rails (B & C) **MUST** be square (90° angle) to the truck bed rails. This allows the rear latch to engage properly.

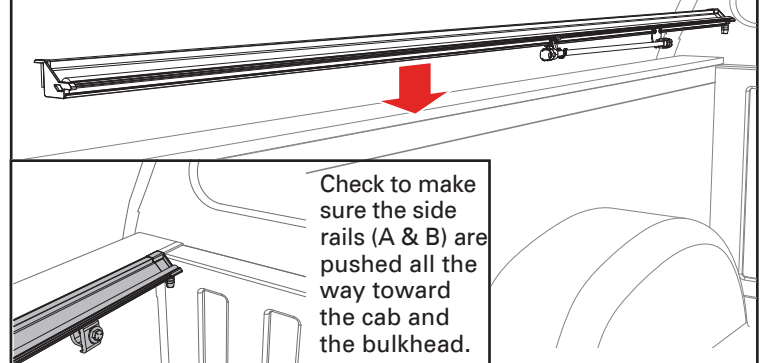


**Do NOT tilt rails**

**7** Attach the drain tubes (S) to the front of the side rails (B & C) to allow water to be diverted out of the truck bed via the rail. The opposite end of the drain tubes can be placed behind a bedliner, through the bed plugs, or by drilling a 5/8" hole in the bulkhead. Repeat on passenger side rail.



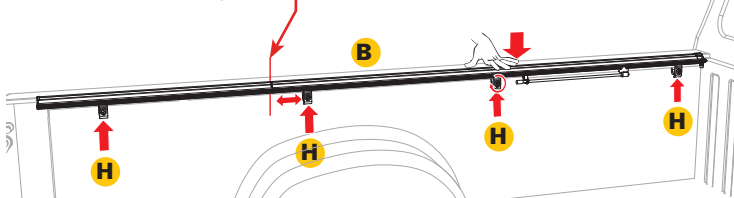
**8** Place the driver side rail (B) on the truck rail. Position the side rail flush with the top edge of your truck bed rail. The end of the side rail with the drain tube will go towards the cab of the truck. Repeat on the opposite side with the passenger side rail (C).



Check to make sure the side rails (A & B) are pushed all the way toward the cab and the bulkhead.

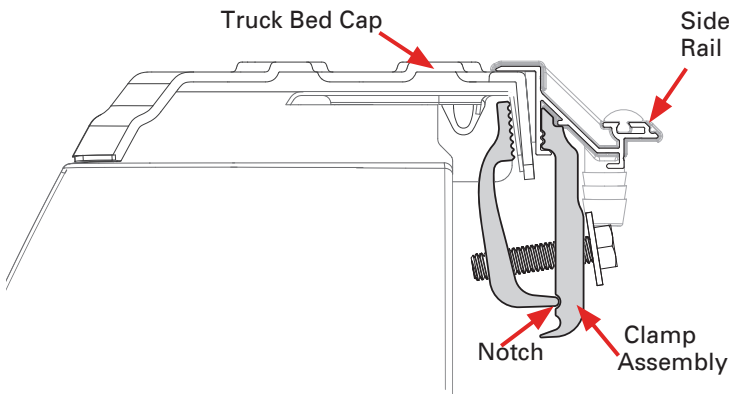
**9** Attach four clamps (H) to the driver side rail (B) to the truck bed. Place the front clamp 6-8 inches from the bulkhead. Place the rear clamp as close to the tailgate as possible. Center the middle clamps accordingly. Clamps should be evenly spaced along the full length of the rail. Loosely tighten with a 1/2" wrench to make sure the clamps engage with the side rail. Repeat on the opposite side with the passenger side rail (C).

**Note:** Make sure the third clamp is close to where the two rails are joined together.

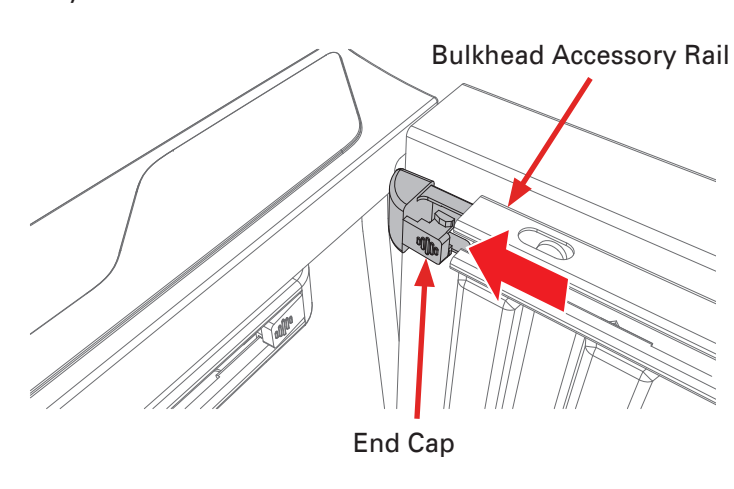


**NOTE:** If the rails are leaning down, have one person stand on the outside of the bed and slightly roll the rails upward while another person slowly snugs the clamps up. If the clamps are tightened too quickly or overtightened, it will cause the rails to lean down.

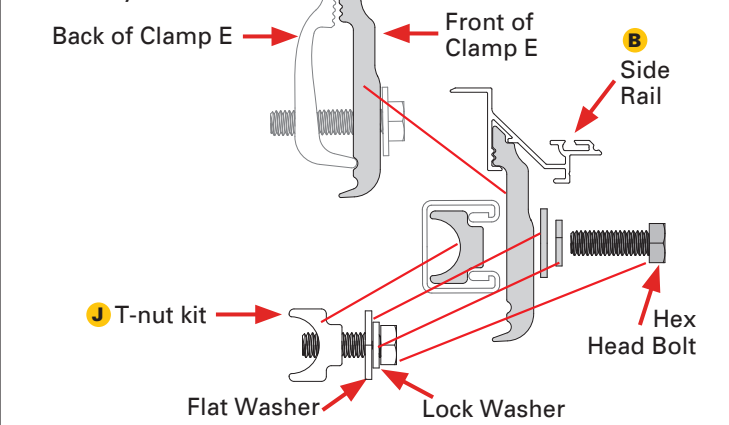
**10** For the best (A) fit, the side rails (B & C) should be level with the truck bed cap and not angled up or down. Insert the backside of the clamp as high as possible and tighten clamp. Depending on model the notch will vary. Tighten all clamps to 10 ft/lbs of torque with a 1/2" wrench or socket. **Caution: Do NOT overtighten!**



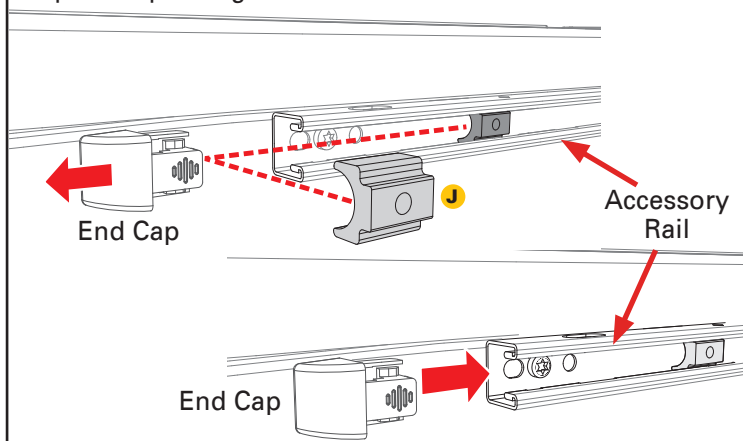
**11** For Trucks With Cargo Management System: Remove the factory end caps from both ends of the bulkhead utility rail.



**12** Breakdown of Clamp Parts: Use front of clamp from clamp (E) and hex head bolt, flat washer and lock washer from T-nut kit (J) when installing side rails (B & C) to truck bed with accessory rails.

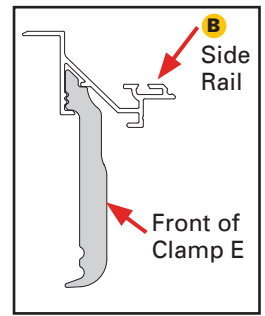
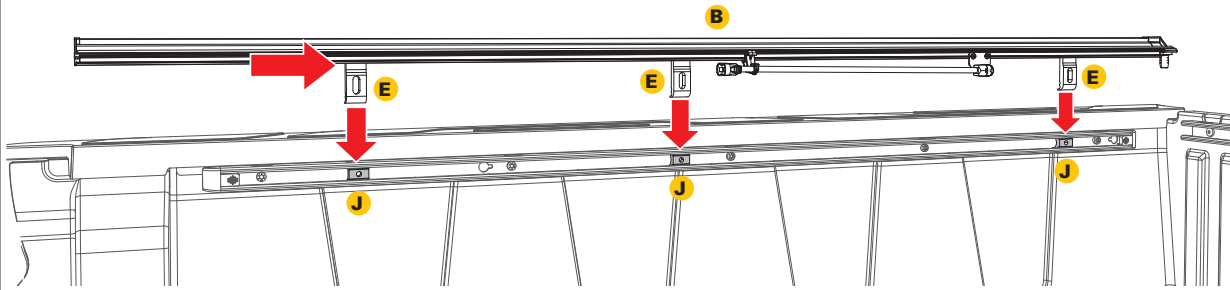


**13** Installing T-nut Kits in Cargo Management System: Remove the factory end cap from tailgate end of the accessory rail. Insert three T-nut kits (J) into the end of the accessory rail and put the end cap back in. Repeat on passenger side.



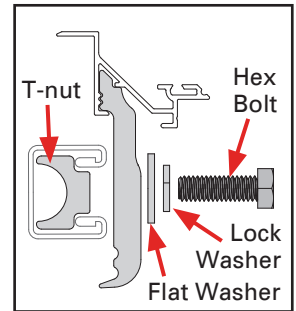
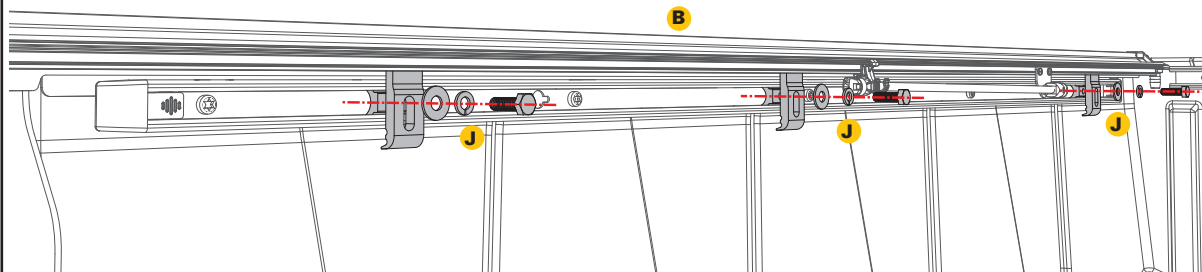


**14 Installing Rails on Cargo Management System:** Use three of the front parts from three of the clamps (E) and slide them into side rail (B) as shown to the right. Position one clamp front 6-8 inches from the bulkhead, one clamp front in the middle and one clamp front as close to the tailgate as possible aligning them up with the T-nut (J) that you slid into the rail in step 6. Repeat on passenger side rail (C).



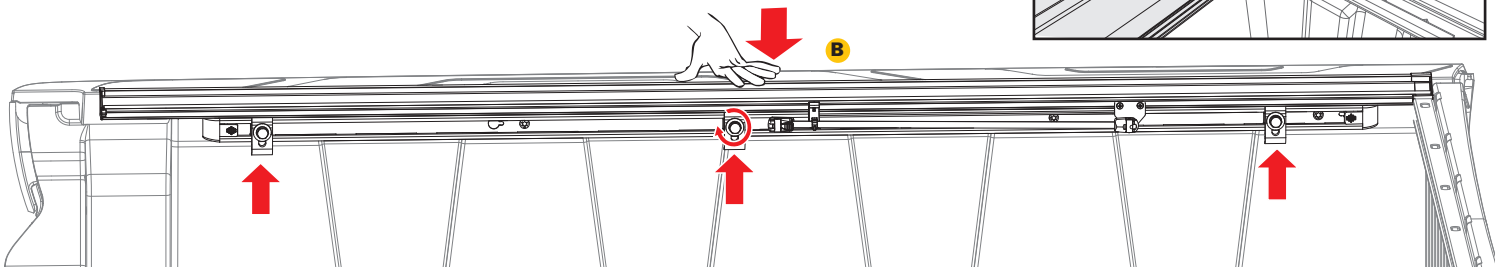
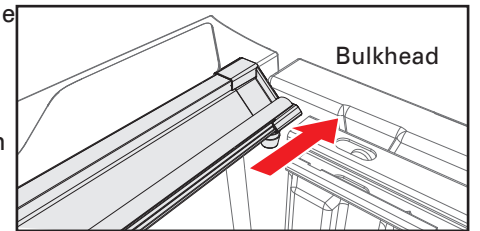
Bulkhead

**15 Installing Rails on Cargo Management System:** Place the driver side rail (B) on to the truck bed rail. Use the 5/16" hex head bolt, 5/16" flat washer and 5/16" lock washer from T-nut kit (J) when installing driver side rail (B) to truck bed with accessory rails. Repeat on passenger side rail (C).



Bulkhead

**16 Installing Rails on Cargo Management System:** Align the driver side rail (B) with the drain tube fitting going towards the cab of the truck and pushed up against the bulkhead. Position one clamp assembly 6-8 inches from the bulkhead, one clamp assembly in the middle and one clamp assembly as close to the tailgate as possible. The clamps should be evenly spaced along the rail. Tighten the bolts to 10 ft/lbs of torque with a 1/2" wrench or socket. **CAUTION: Do NOT overtighten.**

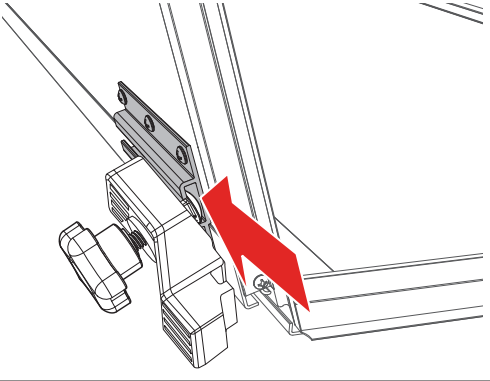


**NOTE:** If the rails are leaning down, have one person stand on the outside of the bed and slightly roll the rails upward while another person slowly snugs the clamps up. If the clamps are tightened too quickly or overtightened, it will cause the rails to lean down.

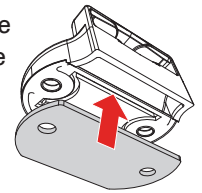
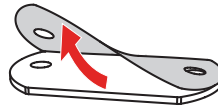
**17** Attach the drain tubes (S) to the front of the side rails (B & C) to allow water to be diverted out of the truck bed via the rail. The opposite end of the drain tubes can be placed behind a bedliner, through the bed plugs, or by drilling a 5/8" hole in the bulkhead. Repeat on passenger side rail.



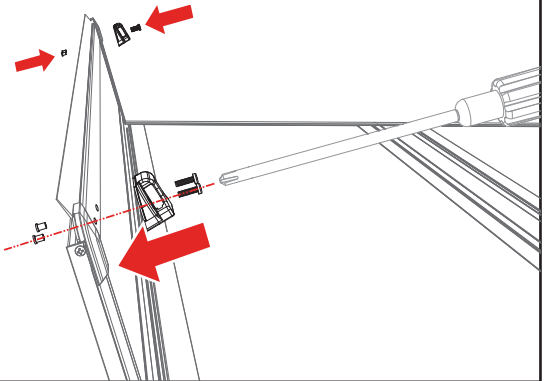
**18** Before placing the cover (A) onto the vehicle, slide two cover retainer clamps (G) into the track on the underside of the cover (A) near the cab. Confirm the cover retainer clamps fit properly into the cover rail for optimum fit. Repeat on the opposite side of the cover.



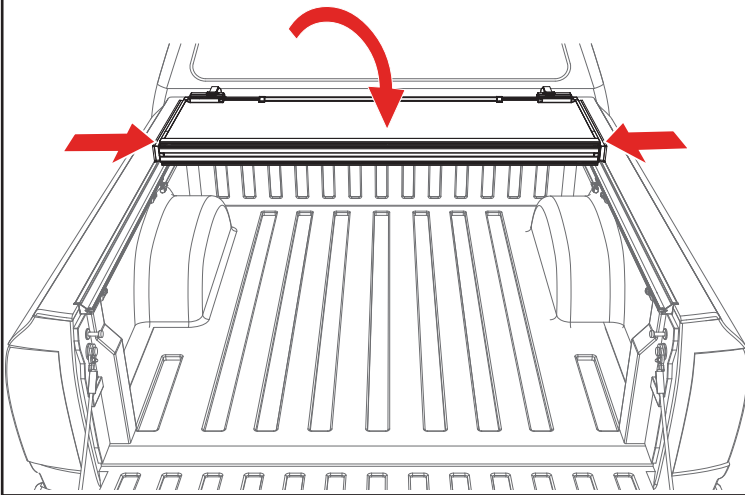
**19** First, prep the buckle ends (I) by peeling off the adhesive liner of the gasket (J). Then adhere the gasket (J) to the underside of each of the buckle ends.



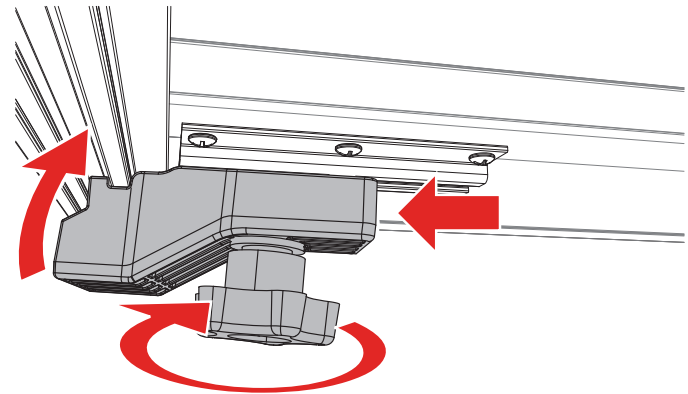
Position the buckle ends (I) with the open side facing the bed cover panel. Use a Phillips screwdriver to install the two buckles into the pre-drilled holes on the front header panel with the provided screws (K) and the nutsert (L) inserted from the backside of the panel. **DO NOT use a screw gun, securely tighten by hand only.**



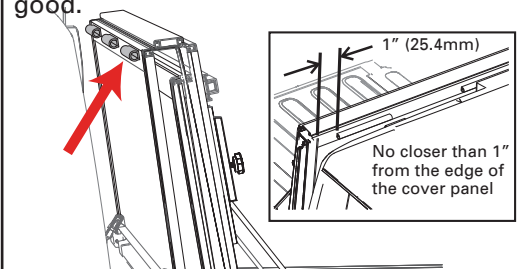
**20** Set the cover (A) in the folded position on the side rails (B & C) towards the cab of the truck. Confirm the cover is evenly spaced between the rails.



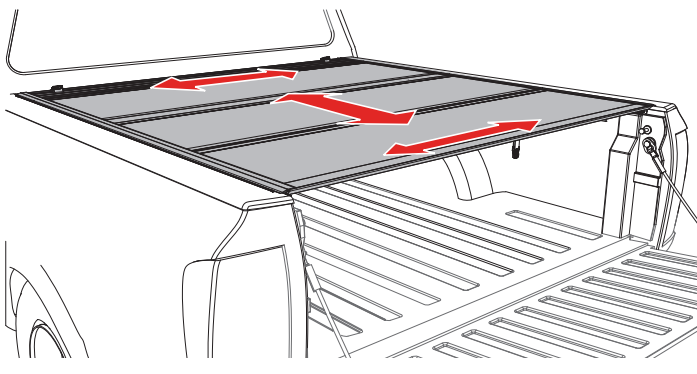
**21** Confirm the retainer clamps (G) are positioned around the side rails (B & C) correctly as shown below. Tighten the retainer clamps by turning them clockwise until the lock washer is secure.



**22** With the bed cover in the folded position, clean the area where the three D-shaped cab bumpers (N) will go with soap and water to remove dirt and debris. Then clean the area with isopropyl alcohol to remove wax or grease and to evaporate any remaining water, allow the surface to dry. Then install the cab bumpers along the top edge of the cover where it meets the truck cab. Apply pressure to all bumpers to make sure the adhesion is good.

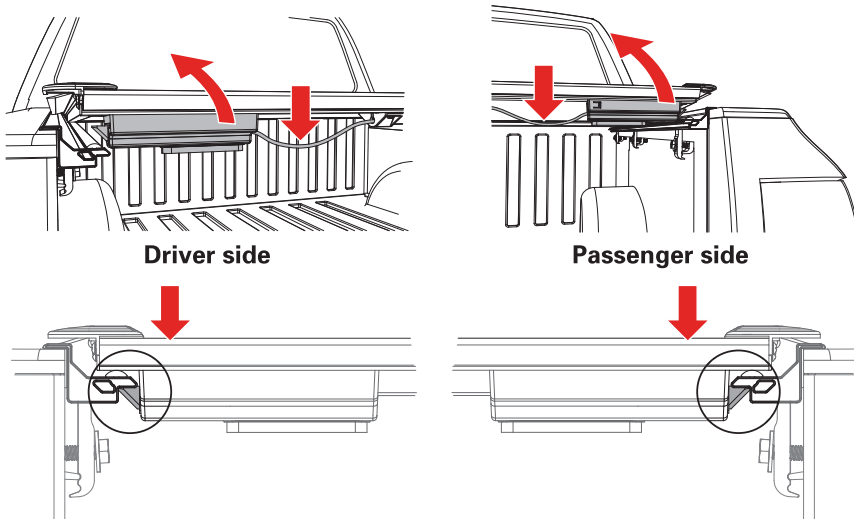


**23** Unfold the cover (A) towards the tailgate. Then confirm each panel is centered side to side and front to back on the truck bed. If adjustments are needed, loosen the cover retainer clamps (G) and shift the cover until positioned correctly. The rear edge of the cover and tailgate seal should rest on top of the tailgate. For proper sealing, the tail panel will overlap by .5".

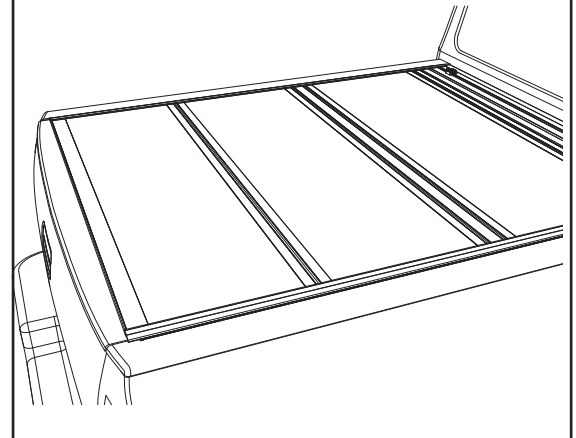


**Power Tailgates:** If your truck has a powered opening or closing tailgate ensure the tailgate functions properly with the cover closed and if needed adjust the cover towards the truck cab.

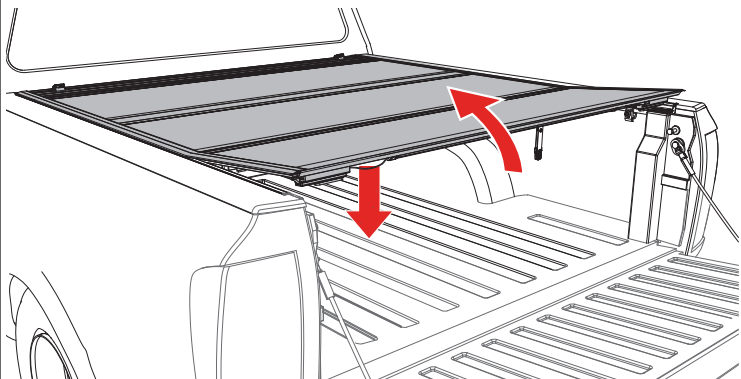
**24** Check if the latches are hitting or not engaging the side rails (B & C) by releasing each latch. If any of the latches need modifications refer to the Slam Latch Adjustment section on the next page on how to make adjustments.



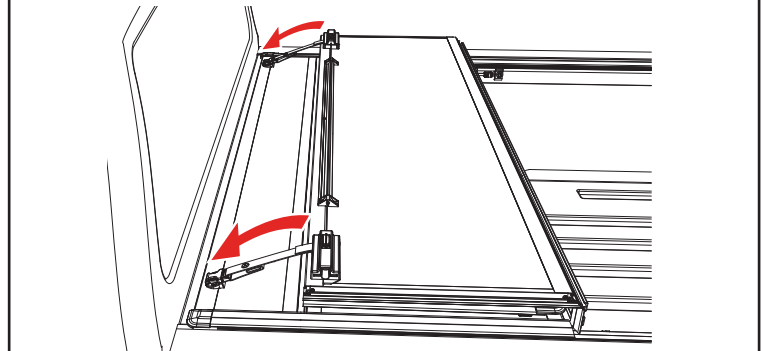
**25** Retighten the cover retainer clamps once the desired fitment is reached. **You are ready to drive with your cover in the closed position.**



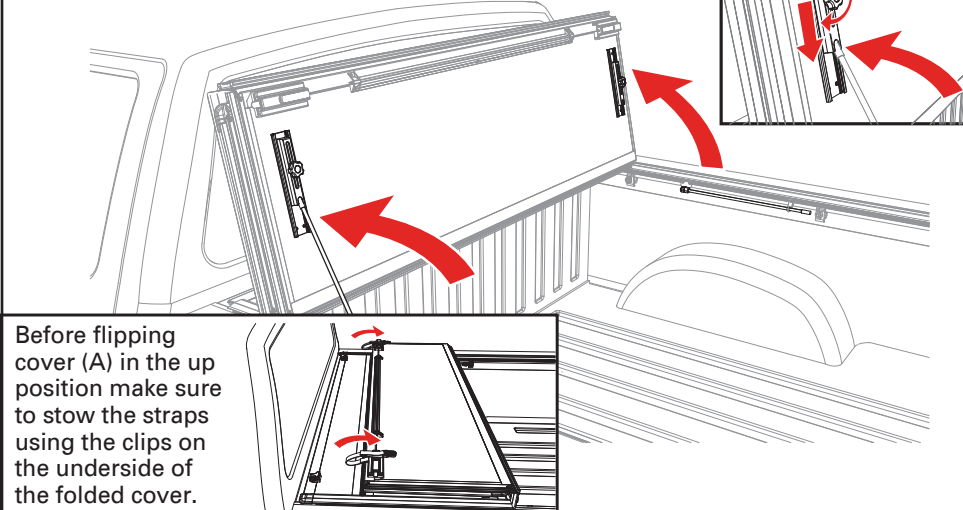
**OPENING COVER:** Lower the tailgate and pull the cable on either side. While pulling on the cable lift the panel up and towards the cab.



**FOLDED UP POSITION:** To drive with the cover (A) in the folded up position, use the straps and buckles provided with the cover. Attach the buckle at the bulkhead, then pull the strap to take up the slack and secure the cover.

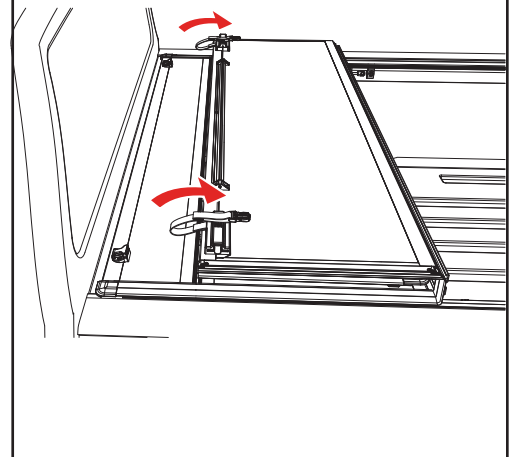


**FLIPPED UP POSITION:** Fold the cover (A) open and lift it until it's vertical or past 90 degrees towards the truck cab. Then release the prop rod that is attached to the rail. Fold the prop rod over and position it firmly against the vertical plate on the underside of the cover. Then slide the prop rod locks downwards and tighten the knobs to lock it into position. Do this on both sides of the cover. The cover should be firmly in position with little to no movement once the prop rods are locked.

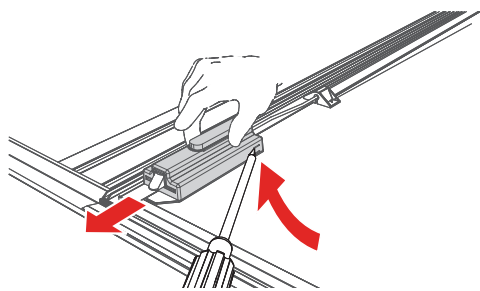


Before flipping cover (A) in the up position make sure to stow the straps using the clips on the underside of the folded cover.

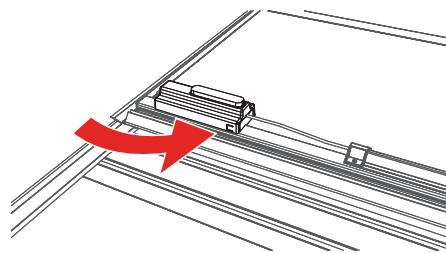
**CLOSING COVER:** To drive with the cover (A) closed, unhook the buckles and straps from the bulkhead. Stow the straps using the clips on the underside of the folded cover. Fold all panels towards the tailgate making sure that all latches are engaged.



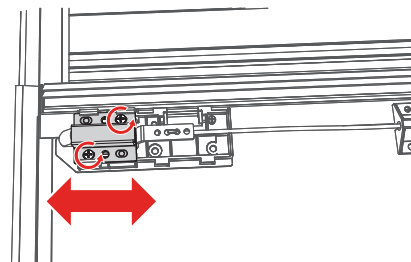
## ADJUSTING SLAM LATCH



Use a screwdriver to partially pry open the tab on the latch housing. At the same time slide the housing away from the latch assembly.



**Note:** that the tab is located on the opposite side of the housing on the passenger side of the cover.

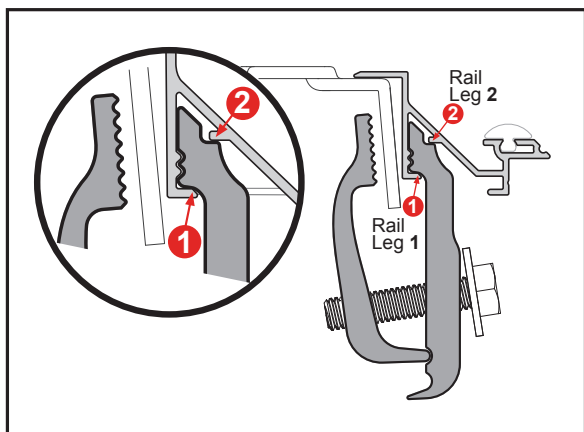


With the latch cover removed, loosen the screws and move the latch bracket to adjust. Retighten the screws. Slide the latch housing back on.

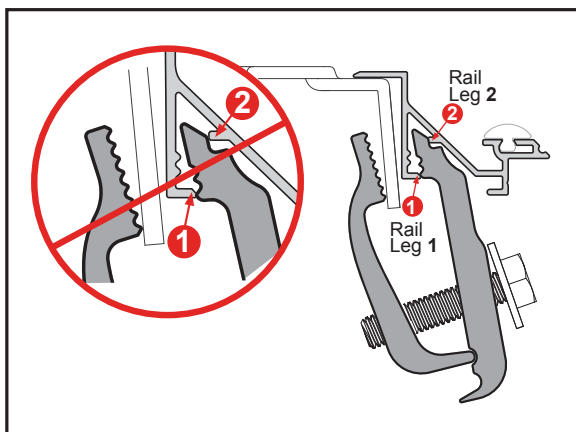
## TROUBLESHOOTING TIPS

**Leaning Rails:** Improper engagement of the clamps can cause the rails to appear tilted inward. To ensure the clamps are properly installed loosen the nut. Adjust the clamp(s) until you have full engagement of sections 1 & 2, as shown below. When the clamp and rail are properly engaged an audible click will be heard. Overtightening the bolt can also contribute to tilted rails. **Do NOT over torque the bolt.**

### PROPER RAIL & CLAMP ENGAGEMENT



### IMPROPER RAIL & CLAMP ENGAGEMENT



**Water Intrusion:** Make sure the retaining clamps are tight and properly engaged to the side rails. Check that the bulkhead seal is in place and the cover is resting on it. Make sure that all latches are engaged to the side rails and adjust if needed. Check that the side rails are installed flush with the top of the bed rail.

**Sticking Latch:** The cable could be pinched in or under the cable guide extrusion. Loosen the three screws on the center cable cover (bar), located in the middle of the panel. Slightly lift up on the cable guide extrusion. Pull on both sides of the cable.

**Wavy Side Seal:** The seal may be wavy when removed from the box. Allow ample sunlight for seal to lay flat and relax.



## CARE AND MAINTENANCE

The truck bed cover requires occasional cleaning with mild automotive soap and water only. Avoid using abrasive cleaners as they may dull the finish. Some chemicals and fluids such as insect repellents, oils, solvents, and lubricants could potentially damage the rubber hinges and seals and void the warranty.

### CAUTION

Always read the ingredients of any product you are using to clean your truck bed cover. Make sure that you use only products that are safe for use with rubber. Many cleaners contain chemicals that could permanently discolor or damage your hinges and seals.

Periodically check that your cover is securely attached to your truck bed and working as intended. Inspect all hardware such as clamps and cover retainer clamps to ensure they are properly installed and working as intended. Covers that are used at high frequency or subject to rough roadways and/or heavy vibration conditions may cause the cover to require adjustment.

It is also recommended that you regularly inspect and service each panel latch. Clean away any excess dirt or grime. Ensure all latches move freely in and properly engage the side rail to provide optimal performance and security.

## SAFETY INSTRUCTIONS

- DO NOT place objects on or against cover or framework.
- DO NOT tie cargo to truck bed cover or framework.
- DO NOT operate vehicle with objects on top of the cover.
- NEVER allow children or pets to occupy the truck bed with the cover in the fully closed position.
- The cover is not airtight. Special care is required to keep cargo clean and dry.
- Truck bed covers will not prevent theft of contents inside the truck bed.

# LIMITED WARRANTY

## WARRANTY COVERAGE

This truck bed cover is warranted against defects in materials or workmanship as follows. This warranty is void if the product has been damaged in an accident, or due to neglect, unforeseeable use, improper installation, improper servicing, or other cause not arising out of defects in material or workmanship.

**MX4 & F1** - The truck bed cover carries a limited warranty for **five (5) years** from the original date of purchase, subject to the terms below.

**G2 & FIBERMAX** - The truck bed cover carries a limited warranty for **three (3) years** from the original date of purchase, subject to the terms below.

## WARRANTY IS NOT TRANSFERABLE

The warranty is to the initial owner purchasing the truck bed cover and it is not transferrable to a subsequent end user. Proof of purchase may be required to enforce these warranty rights.

## WARRANTY CONDITIONS

Failure to follow care and use instructions will void the warranty.

- Clean with mild automotive soap and water only.
- Cover must be secured at all points when vehicle is in motion.
- Check all clamps and retention mechanisms for tightness after a week of driving following installation (or re-installation) of the cover and periodically thereafter.
- Before opening, the cover must be free of all foreign materials including snow and ice.
- Do NOT tow your vehicle from the rear with the cover on your vehicle. If towing from the rear is required, the cover MUST be removed from the vehicle and properly stored.

## WARRANTY PERFORMANCE

If all warranty conditions are met, a defective truck bed cover or hardware component will either be repaired or replaced (at our option). We reserve the right, for any warranty, to substitute a newer model or bed cover having similar form and function, to offer a warranty discount on an entire replacement system, and/or provide remedies other than those mentioned in this document.

## WARRANTY RETURN

A Return Material Authorization number must be obtained from our Customer Service Department prior to returning any product. We may require the original item to be returned postage prepaid for final determination. Shipping charges will apply for any repair or replacement. Other than postage or shipping charges, no charge will be made for repair or replacement under this warranty.

This warranty gives you specific legal rights. As an owner, you may also have additional rights and remedies under the laws of your state.

## WARRANTY REGISTRATION

Warranty registration must be on file and/or proof of original purchase (detailed and dated receipt) required for warranty to be effective.

<https://realtruck.com/bak-warranty>

**REGISTER  
YOUR  
WARRANTY  
ONLINE**



Serial Number \_\_\_\_\_

Date of Purchase \_\_\_\_\_