

Parts List

1	Drive / left side bar
1	Passenger / right side bar
1	Driver / left side mounting bracket, front
1	Passenger / right side mounting bracket, front
1	Driver / left side mounting bracket, center
1	Passenger / right side mounting bracket, center
1	Driver / left side mounting brackets, rear
1	Passenger / right side mounting brackets, rear
2	Support bracket, front 99 - 13 (1500) and 99 - 10 (2500 / 3500)
2	Support bracket, center 99 - 13 (1500) and 99 - 10 (2500 / 3500)
2	Support bracket, front 11 - 13 (2500 / 3500)
2	Support bracket, center 11 - 13 (2500 / 3500)
2	Bolt tab, M10 x 47mm
18	Hex bolt, M10 - 1.5mm x 30mm
24	Flat washer, M10 ID x 22mm OD x 1.5mm
20	Lock washer, M10
6	Hex nut, M10
2	Nut plate, M10
2	Hex bolt, M12 - 1.75mm x 30mm
4	Flat washer, M12 ID x 29mm x 3mm
2	Lock washer, M12
2	Hex nut, M12

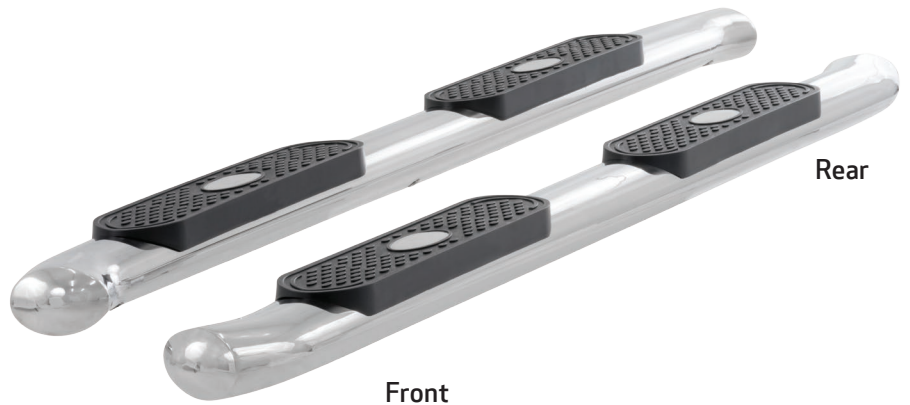
Level of Difficulty

Easy

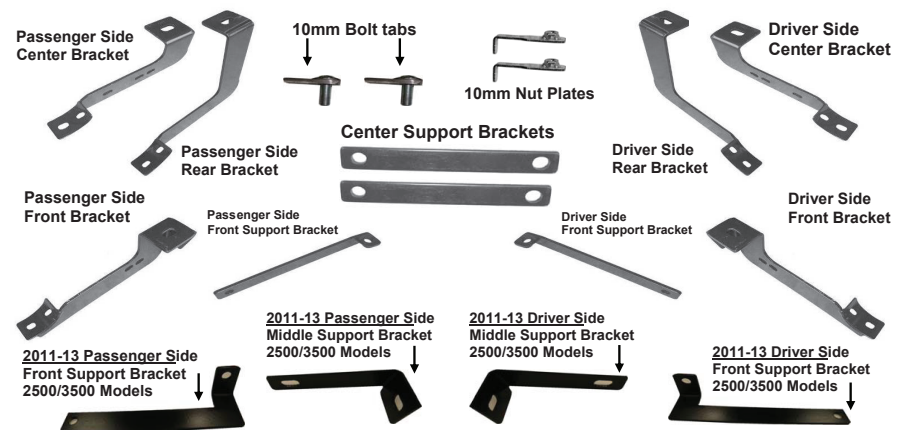


Scan for helpful install tips

Product Image



Brackets



Notes and Maintenance

Before you begin installation, read all instructions thoroughly.

Proper tools will improve the quality of installation and reduce the time required.

To protect the product, wax after installing. Regular waxing is recommended to add a protective layer over the finish. Do not use any type of polish or wax that may contain abrasives that could damage the finish.

For stainless steel and aluminum, polish may be used to clear small scratches and scuffs on the finish. Mild soap may be used also to clean the product.

Refer to the table to the left when securing hardware during the installation process to help prevent damage to the product or vehicle.

Torque Specifications

METRIC		SAE	
M6 bolt	3 ft.-lbs.	1/4" bolt	3 ft.-lbs.
M8 bolt	7 ft.-lbs.	5/16" bolt	7 ft.-lbs.
M10 bolt	16 ft.-lbs.	3/8" bolt	16 ft.-lbs.
M12 bolt	28 ft.-lbs.	7/16" bolt	20 ft.-lbs.
--	--	1/2" bolt	28 ft.-lbs.

PROCEDURE:

1. **REMOVE CONTENTS FROM BOX. VERIFY ALL PARTS ARE PRESENT. READ INSTRUCTIONS CAREFULLY BEFORE STARTING INSTALLATION.**
2. From underside of vehicle remove front, center, and rear body mount bolts. Do not remove bushings.
3. Hang driver side front, center and rear Mounting Brackets into position by partially threading factory body mounting bolts back into body mounts (**Fig 1**).
4. Locate the two factory holes in the bottom of the frame towards the front of the vehicle. Insert (1) Nut Plate through oval hole and orient Nut Plate towards the front round hole, (**Fig 2**).
5. Attach driver side front Support Bracket to already inserted Nut Plate by partially threading (1) 10mm x 30mm Hex Head Bolt, (1) 10mm Lock washer, and (1) 10mm Flat Washer (**Fig 3 & 4**).

(1999-13) Front brace brackets 1500 Models:

Attach opposite side of driver side front Support Bracket to outside hole in the Mounting Bracket using the included (1) 10mm x 30mm Hex Head Bolt, (1) 10mm Hex Nut, (1) 10mm Lock Washer, and (2) 10mm Flat Washers (**Fig 3**). Do not tighten at this time.

(1999-10) Front brace brackets 2500 Models:

Note that the Support Bracket will not reach the Mounting Bracket (**Fig 4**). Tighten the Support Bracket to Nut Plate in the frame. Carefully push up on the Support Bracket until it reaches the inside hole in the Mounting Bracket (**Fig 5**). Attach opposite side of driver side front Support Bracket to inside hole in the Mounting Bracket using the included (1) 10mm x 30mm Hex Head Bolt, (1) 10mm Hex Nut, (1) 10mm Lock Washer, and (2) 10mm Flat Washers (**Fig 6**). Do not tighten at this time.

(2011-13) Front brace brackets 2500/3500 Models:

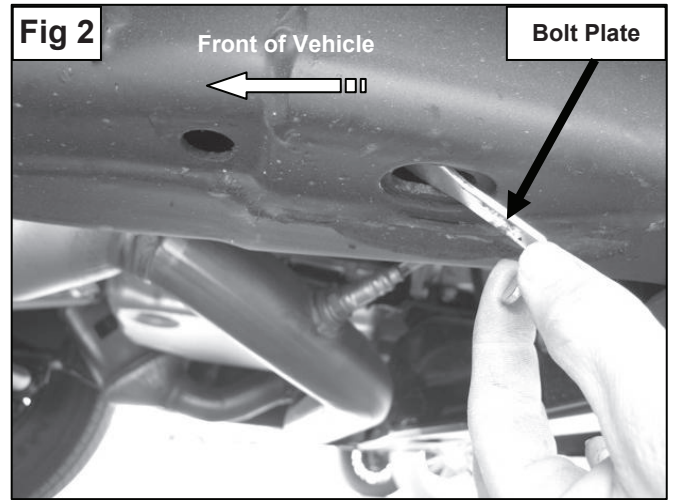
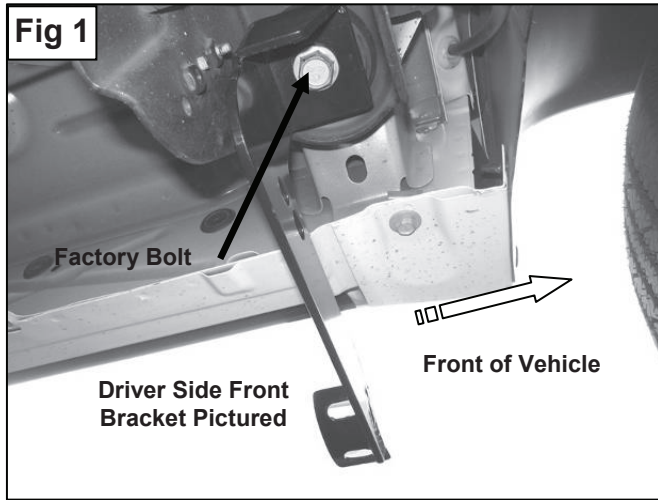
Attach driver side front Support Bracket to the already inserted Nut Plate by partially threading (1) 10mm x 30mm Hex Bolt, (1) 10mm Lock washer, and (1) 10mm Flat Washer as seen in (**Fig 7**)

Attach opposite side of driver side front Support Bracket to outside hole in the Mounting Bracket using the included (1) 10mm x 30mm Hex Head Bolt, (1) 10mm Hex Nut, (1) 10mm Lock Washer, and (2) 10mm Flat Washers (**Fig 7A**). Do not tighten at this time.

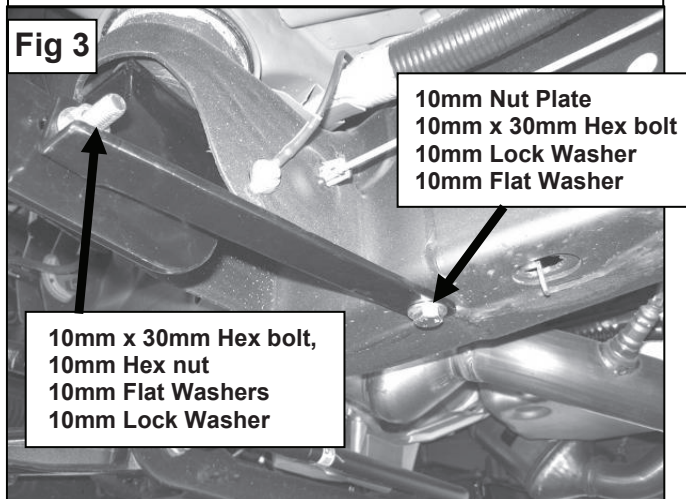
(1999-11) 1500 and (1999-10) 2500 Models Middle brace brackets

6. From the inner side of the center body mount, place (1) Center Support Bracket onto front side of the body mount. Attach Center Support Bracket to body mount using the included (1) 12-1.75mm x 30mm Hex Head Bolt, (1) 12mm Hex Nut, (1) 12mm Lock Washer, and (2) 12mm Flat Washers (**Fig 8 & 9**). Do not tighten at this time. **NOTE:** Larger hole on the Center Support Bracket mounts to body mount.
7. Attach opposite side of Center Support Bracket to center Mounting Bracket using the included (1) 10-1.50mm x 30mm Hex Head Bolts, (1) 10mm Hex Nuts, (1) 10mm Lock Washers, and (2) 10mm Flat Washers (**Fig 8 & 9**). Do not tighten at this time.
8. **(2011-13) 2500 Models: Middle brace brackets**
Located just above the mount bracket there is a oblong hole as seen in (**Fig 10**) place the bolt tab in the hole, select the driver side brace bracket and secure it to the bolt tab with (1) 10mm Hex Nut, (1) 10mm Lock Washer, and (1) 10mm Flat Washers attach opposite side of driver side middle Support Bracket to inside hole in the Mounting Bracket using the included (1) 10mm x 30mm Hex Head Bolt, (1) 10mm Hex Nut, (1) 10mm Lock Washer, and (2) 10mm Flat Washers (**Fig 10A**). Do not tighten at this time.
9. Carefully position Driver Side Bar onto Mounting Brackets. Attach Side Bar to Mounting Brackets using the included (6) 10-1.50mm x 30mm Hex Head Bolts, (6) 10mm Lock Washers, and (6) 10mm Flat Washers (**Fig 11**). Do not tighten at this time.
10. Level and adjust Side Bar, then tighten all hardware at this time.
11. Repeat steps 2-9 for passenger Side Bar.
12. Do periodic inspections to the installation to make sure that all hardware is secure and tight.

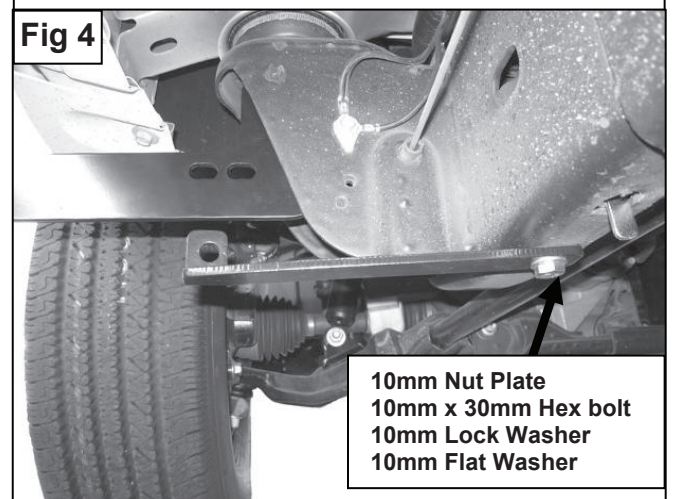
Driver Side Installation Pictured



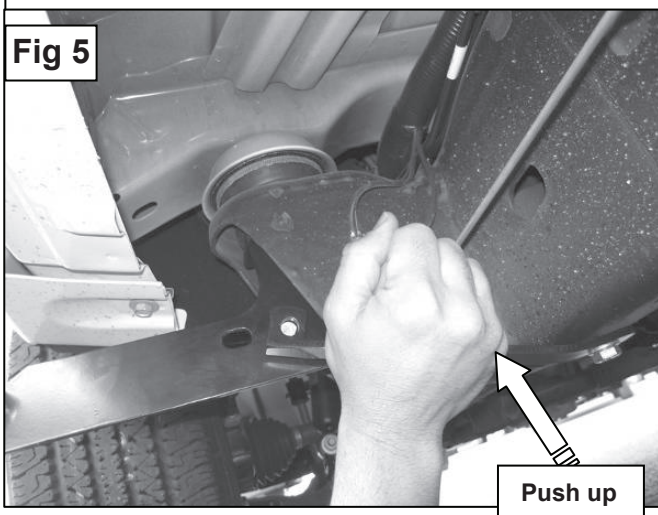
1999-13 1500 Model Front Installation Pictured



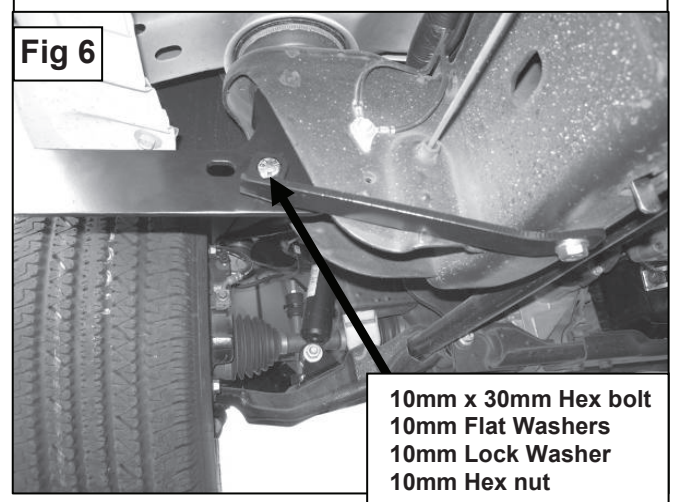
1999-10 2500 Model Front Installation Pictured



99-10 2500 Model Front Installation Pictured

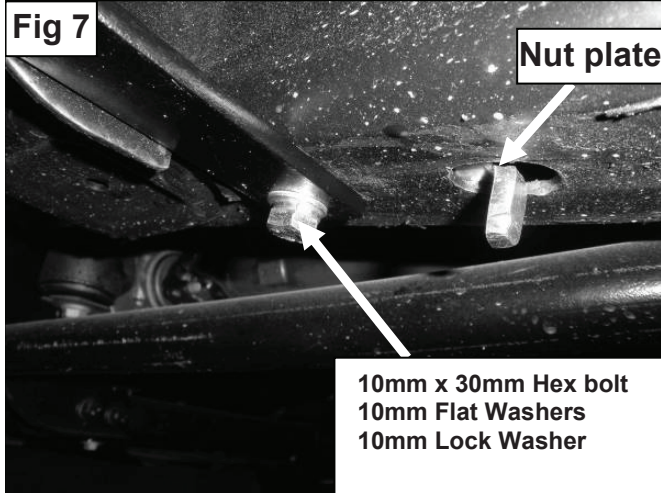


99-10 2500 Model Front Installation Pictured



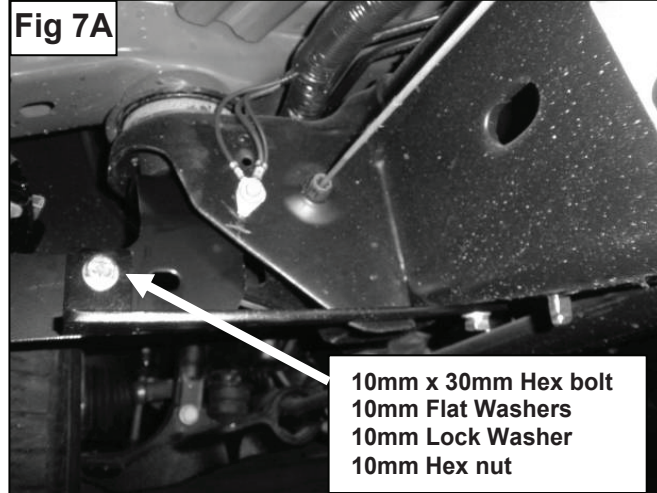
2011-13 2500 Model Front Pictured

Fig 7



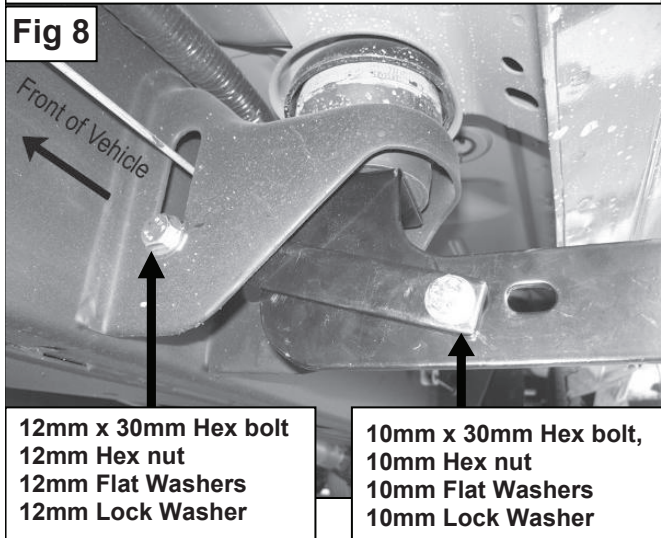
2011-13 2500 Model Center Pictured

Fig 7A



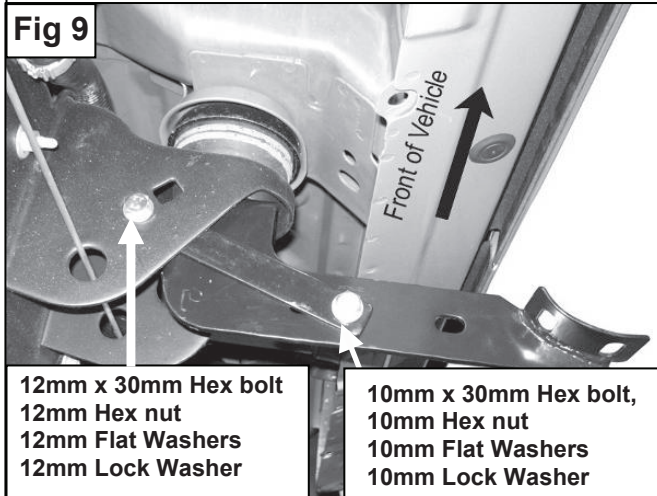
1500 Model Center Installation Pictured

Fig 8



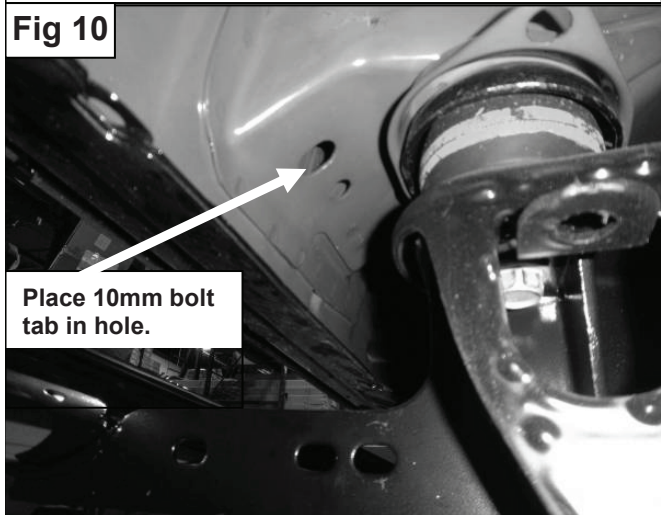
99-10 2500 Model Center Installation Pictured

Fig 9



2011-13 2500 Model Center Pictured

Fig 10



2011-13 2500 Model Center Pictured

Fig 10A

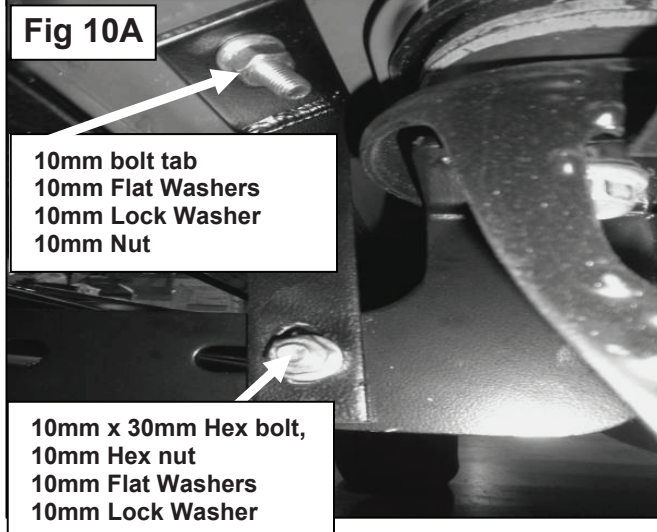
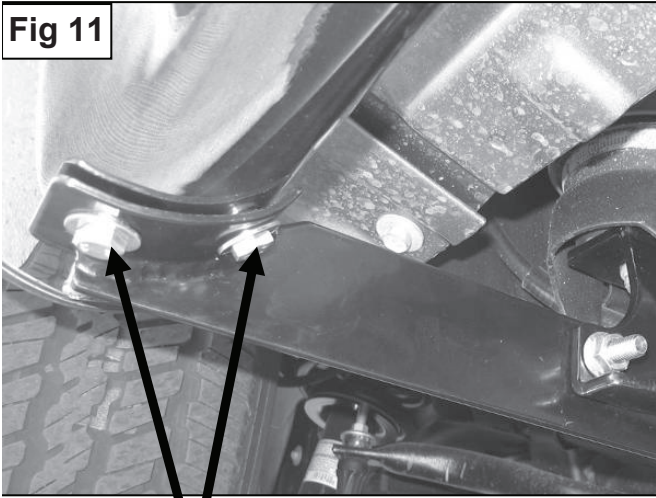


Fig 11



**10mm x 30mm Hex bolt,
10mm Lock Washer
10mm Flat Washer**

Installation Complete

