

# **SumoSprings** **Front**

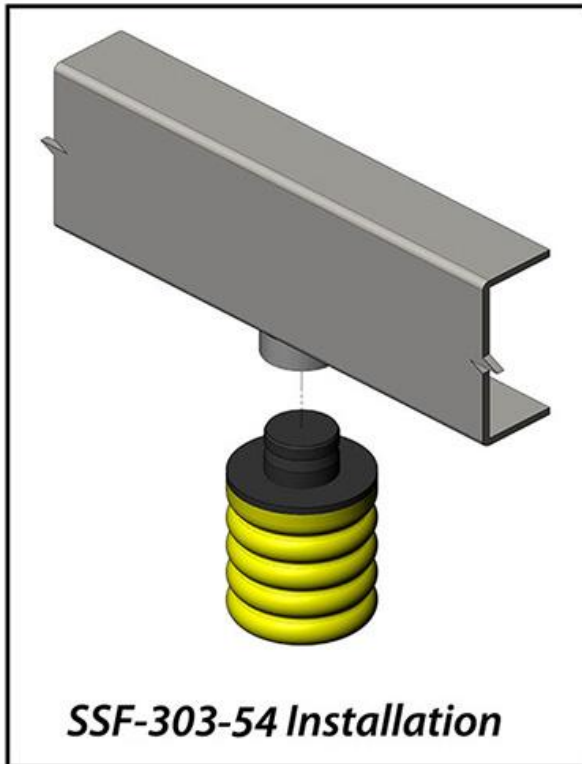
Suspension Enhancement  
Dodge 4500/5500 Chassis Cab 2x4, 4x4 [2007~present]  
SumoSprings Part# SSF-303-54



OEM  
bumpstop



Front SumoSprings  
SSF-303-54 uninstalled



SSF-303-54 Installation



SSF-303-54 Installed

Refer to SumoSprings application guide for part selection [www.supersprings.com](http://www.supersprings.com) [Tech line #866-898-0720]  
SumoSprings enhance load carrying capability, handling & towing. Never exceed vehicle manufacturer's GVWR rating.

## **Installation Instructions**

- 1) Park vehicle on level hard surface. Engage emergency brake. Place blocks in front and behind rear wheels to prevent rolling. Observe all safety precautions and wear safety glasses.
- 2) Raise front of vehicle allowing the axle to hang freely. Support the frame using safety jack stands.
- 3) Remove existing factory jounce bumper assembly by grasping it firmly and with a twisting and pulling motion, work it until the jounce bumper pops out of the retaining cup. It can also be pried out of the retaining cup utilizing a large flat blade screwdriver.
- 4) Position the SumoSPring assembly SSF303-54 into the retaining cup. Place a piece of 2"x4" timber between the underside of SumoSPring and the jounce pad on the axle. Raise the axle by jacking on the underside of the axle until the SumoSPring is fully seated in the retainer cup.
- 5) Repeat steps three through four on the other side of the vehicle.
- 6) Jack up vehicle, remove safety jack stands.
- 7) Carefully lower vehicle to the hard surface. Remove the blocks in front and back of the rear wheels.
- 8) Release emergency brake.
- 9) Fill out warranty card and send to SuperSprings. The warranty card is on the reverse side of this page.

### **Tool List**

- Floor Jack 1
- Jack Stands 2
- Short length of 2"x4"timber 1
- Wheel Blocks 4

### **Parts List**

- SumoSPrings Assembly SSF303 -54 2

### **Important Notice.**

- 1) For easy installation please read instructions completely first and have all necessary tools available.
- 2) We recommend that this installation be done by a professional or persons with sound mechanical knowledge.
- 3) SumoSPrings are designed to work with the original factory springs only. If they have been replaced with aftermarket springs then please consult with Supersprings International at 866-898-0720.
- 4) These instructions are meant as a guide for the installation of SumoSPrings. SuperSprings International assumes no liability for the actual installation process. Installers should apply common automotive safety practices when raising, lowering and working on vehicles.
- 5) SumoSPrings are designed to enhance the vehicles load carrying performance and road handling however it does not authorize (or recommend) loading beyond the manufacturer's GVWR specifications.
- 6) For technical support contact SuperSprings International at 866-898-0720.

***To prevent damage to the vehicle and to ensure safety, do not exceed the maximum load recommended by the vehicles manufacturer (GVWR).***