

SumoSprings Rear

Suspension Enhancement

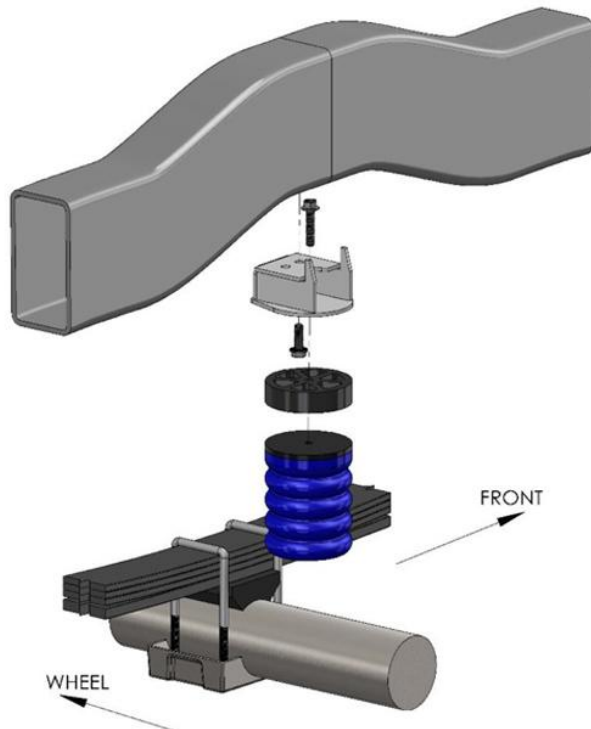
Ford F-150 2wd, [2009 - present]

SumoSprings SSR-116-40 ~ SSR-116-47

Excludes all 8,200 & greater GVWR models



DRIVER'S SIDE



Brackets can be used on either side of the truck. On both sides, use forward hole to center SumoSpring over the axle.



Refer to SumoSprings application guide for part selection www.supersprings.com [Tech lline 866-898-0720] 10/21/15
SumoSprings enhance load carrying capability, handling & towing. Never exceed vehicle manufacturer's GVWR rating.

SumoSprings Rear

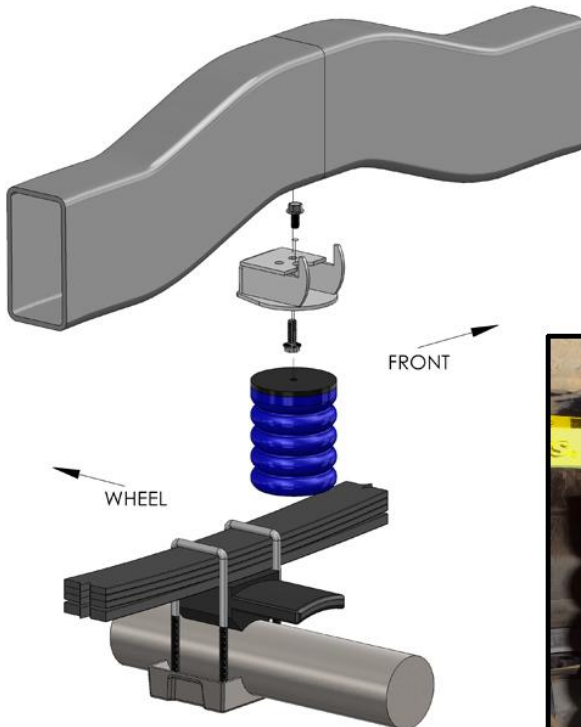
Suspension Enhancement

Ford F-150 Raptor [2010 ~ 2014]

SumoSprings Part# SSR-116-40 ~ SSR-116-47



Comparison



Brackets can be used on either side of the truck.

On both sides, use forward hole to center SumoSpring over the axle.



Refer to SumoSprings application guide for part selection www.supersprings.com [Tech Iline 866-898-0720] 10/21/15
SumoSprings enhance load carrying capability, handling & towing. Never exceed vehicle manufacturer's GVWR rating.

Installation Instructions

- 1) Park vehicle on level hard surface. Engage emergency brake. Place blocks in front and behind front wheels to prevent rolling. Observe all safety precautions and wear safety glasses.
- 2) Raise rear of vehicle allowing the axle to hang freely. Support the frame using safety jack stands.
- 3) Remove existing factory jounce bumper assembly by removing 10mm bolt in the center of the jounce using a 13mm socket and ratchet w/extension. Retain the jounce bumper, retaining cup and bolt in the event that the SumoSprings are ever removed.
- 4) Remove SumoSpring assembly from box and disassemble components.
- 5) As the SumoSpring kit is installed on the vehicle, use a drop or two of blue Lock-Tite on the threads of each bolt.
- 6) Using the supplied M10-1.5x30 bolt, attach bracket to frame in the same location as the OE jounce as shown in the pictures. Be sure the locating tangs are on the inside of the frame and use the forward bolt hole in the bracket to center the SumoSpring over the axle.
- 7) Using the 3/8-16x1 3/4 " serrated flange bolt, attach the 1" spacer and the SumoSpring to bracket as seen in the pictures. If more suspension travel is required, remove the 1" spacer and install the SumoSpring using the 3/8-16x 3/4 " serrated flange bolt.
- 8) Repeat procedure on the other side.
- 9) Jack up vehicle, remove safety jack stands.
- 10) Carefully lower vehicle to the hard surface. Remove the blocks in front and back of the rear wheels.
- 11) Release emergency brake.
- 12) Fill out warranty card and send to SuperSprings.

Tool List

• Floor Jack	1
• Jack Stands	2
• 13mm Socket	1
• Ratchet w/extension	1
• 9/16" Wrench	1
• Wheel Blocks	4

Parts List

• SumoSprings	2
• Optional 1" spacer	2
• Mounting bracket	2
• M10-1.5x30mm bolt	2
• 3/8-16x1 3/4 " bolt	2
• 3/8-16x 3/4 " bolt	2
• Lock-Tite sachet	1

Important Notice.

- 1) For easy installation please read instructions completely first and have all necessary tools available.
- 2) We recommend that this installation be done by a professional or persons with sound mechanical knowledge.
- 3) SumoSprings are designed to work with the original factory springs only. If they have been replaced with aftermarket springs then please consult with SuperSprings International at 866-898-0720.
- 4) These instructions are meant as a guide for the installation of SumoSprings. SuperSprings International assumes no liability for the actual installation process. Installers should apply common automotive safety practices when raising, lowering and working on vehicles.
- 5) SumoSprings are designed to enhance the vehicles load carrying performance and road handling however it does not authorize (or recommend) loading beyond the manufacturer's GVWR specifications.
- 6) For technical support contact SuperSprings International at 866-898-0720.