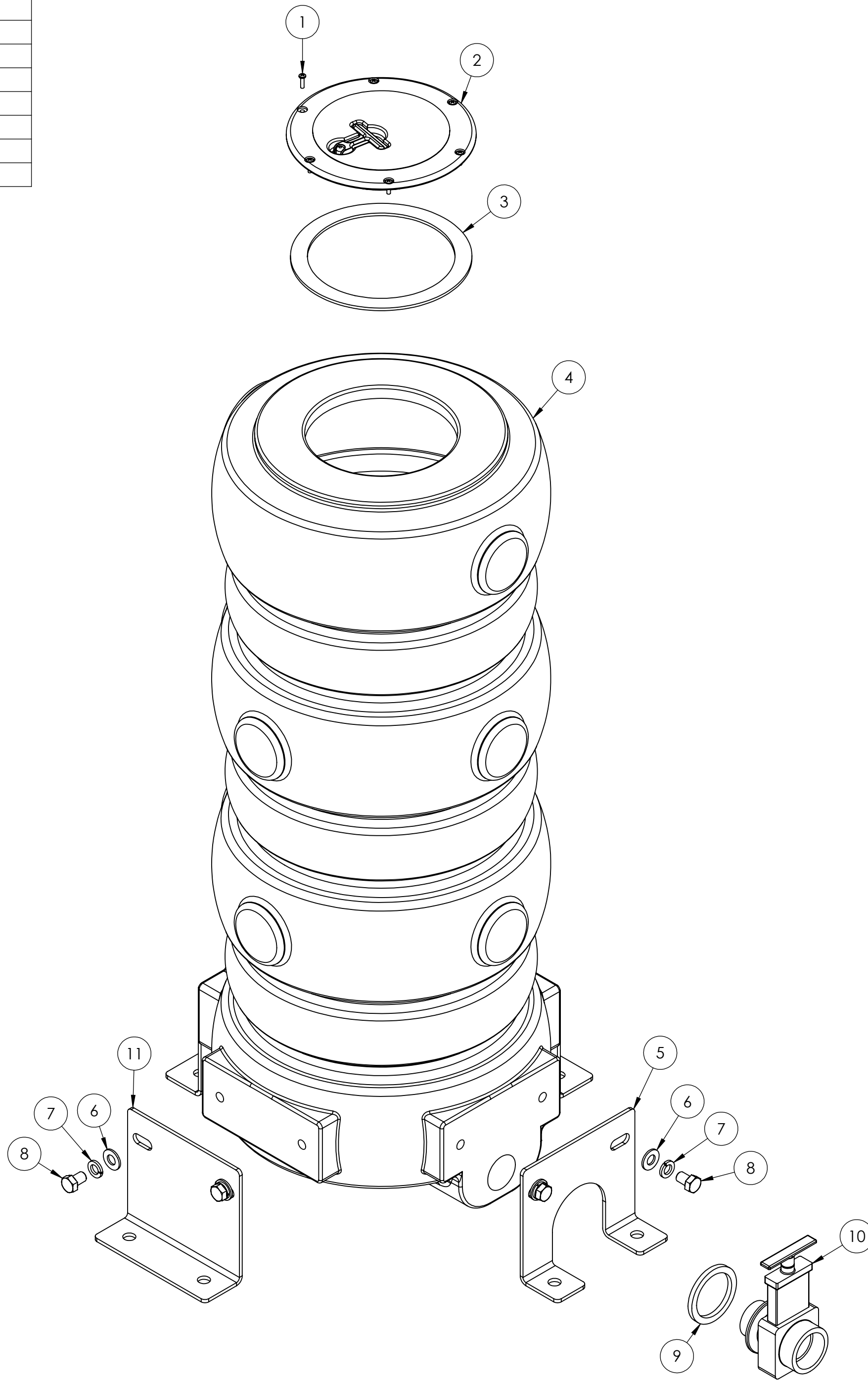


ITEM NO.	PART NO.	DESCRIPTION	QTY.
1	H304	screw, 8 x 5/8", phil oval, s/s	6
2	G090	lid, vac tank, clear, 7"	1
3	G091	gasket, 7", vac lid	1
4	P703	tank, truckmount, vacuum	1
5	H524	bracket, mount, tank, drain valve, truckmount	1
6	H876	washer, 1/2 flat, s/s	8
7	H173	washer, lock, 1/2 med split, steel zinc	8
8	H174	bolt, 1/2-13 x 3/4, c/s, hex head	8
9	G083	gasket, 2" inlet	1
10	H225	valve, drain, 1-1/2"	1
11	H523	bracket, mounting, tank, truckmount	3

REVISIONS			
REV.	DESCRIPTION	DATE	APPROVED
OD	ORIGINAL DRAFT	9/2019	JFL



	NAME	DATE	MYTEE PRODUCTS, INC. 858-679-1191
DRAWN	V. LaBarberga	9/2019	
CHECKED			TITLE:
COMMENTS:	truckmount tank, 27 gallon		
<small>PROPRIETARY AND CONFIDENTIAL THE INFORMATION CONTAINED IN THIS DRAWING IS THE SOLE PROPERTY OF MYTEE PRODUCTS, INC. ANY REPRODUCTION IN PART OR AS A WHOLE WITHOUT THE WRITTEN PERMISSION OF MYTEE PRODUCTS, INC. IS PROHIBITED.</small>	SIZE	DWG. NO.	REV
	C	TM-27	OD
	SCALE: 1:12	DO NOT SCALE DRAWING	SHEET 1 OF 1