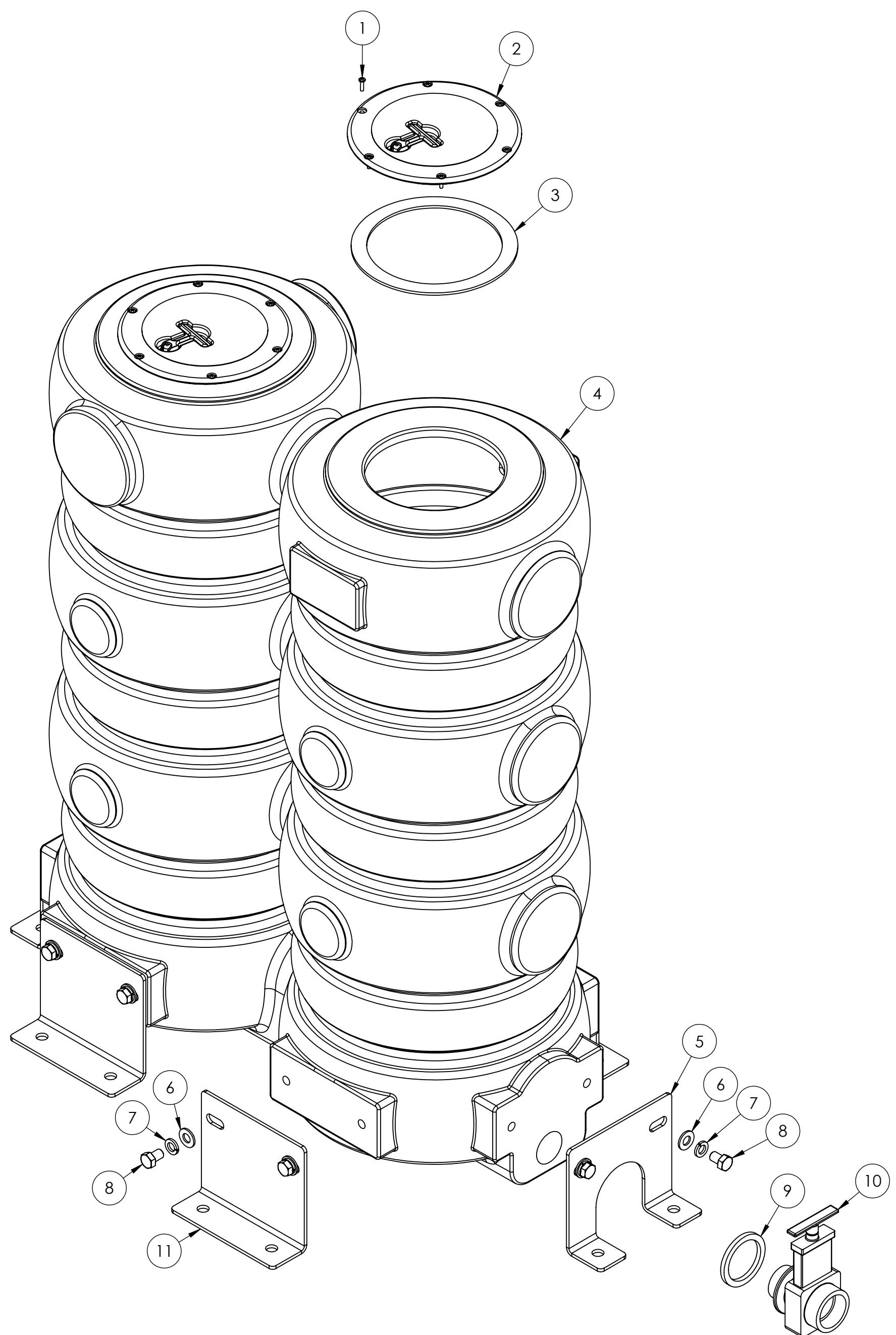


| ITEM NO. | PART NO. | DESCRIPTION | QTY. |
|----------|----------|---|------|
| 1 | H304 | screw, 8 x 5/8", phil oval, s/s | 12 |
| 2 | G090 | lid, vac tank, clear, 7" | 2 |
| 3 | G091 | gasket, 7", vac lid | 2 |
| 4 | P703 | tank, truckmount, vacuum | 1 |
| 5 | H524 | bracket, mount, tank, drain valve, truckmount | 1 |
| 6 | H876 | washer, 1/2 flat, s/s | 12 |
| 7 | H173 | washer, lock, 1/2 med split, steel zinc | 12 |
| 8 | H174 | bolt, 1/2-13 x 3/4, c/s, hex head | 12 |
| 9 | G083 | gasket, 2" inlet | 1 |
| 10 | H225 | valve, drain, 1-1/2" | 1 |
| 11 | H523 | bracket, mounting, tank, truckmount | 5 |

| REVISIONS | | | |
|-----------|----------------|--------|----------|
| REV. | DESCRIPTION | DATE | APPROVED |
| OD | ORIGINAL DRAFT | 9/2019 | JFL |



| | | | |
|--|-------------------------------|----------------------|---|
| | NAME | DATE | MYTEE PRODUCTS, INC. 858-679-1191 |
| DRAWN | V. LaBarbera | 9/2019 | |
| CHECKED | | | TITLE: |
| COMMENTS: | truckmount tank, 54 gallon | | |
| PROPRIETARY AND CONFIDENTIAL THE INFORMATION CONTAINED IN THIS DRAWING IS THE SOLE PROPERTY OF MYTEE PRODUCTS, INC. ANY REPRODUCTION IN PART OR AS A WHOLE WITHOUT THE WRITTEN PERMISSION OF MYTEE PRODUCTS, INC. IS PROHIBITED. | SIZE | DWG. NO. | REV |
| | C | TM-54 | OD |
| | SCALE: 1:12 | DO NOT SCALE DRAWING | SHEET 1 OF 1 |