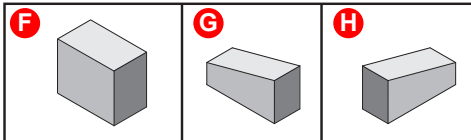
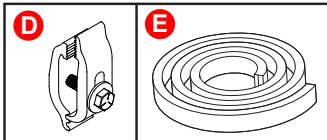
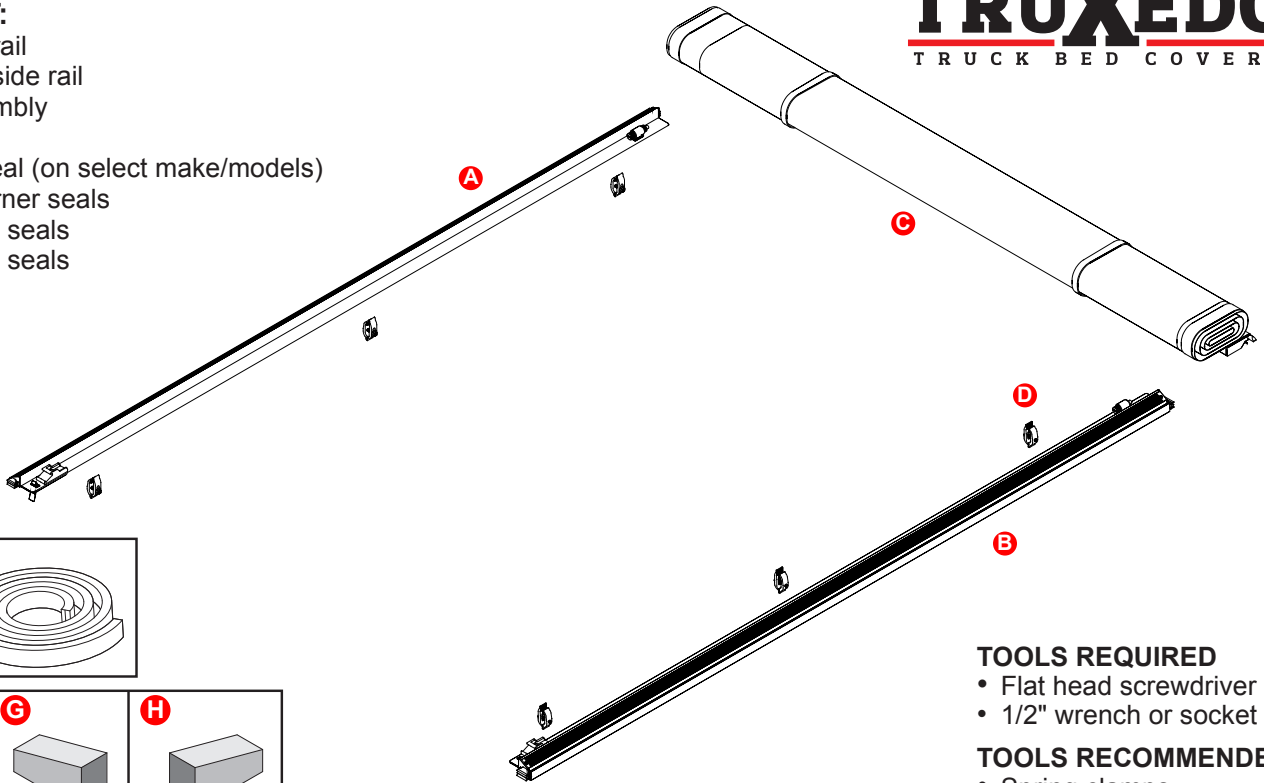


Damaged or missing parts? Call 877-878-9336 Mon - Fri 8 a.m. - 5 p.m. CT
 Parts will be shipped to you factory direct. Do not return kit to place of purchase.
 To view install video visit truxedo.com/ProX15

PARTS INCLUDED IN YOUR KIT:

- A** Driver side rail
- B** Passenger side rail
- C** Cover assembly
- D** 6x clamps
- E** Bulkhead seal (on select make/models)
- F** 2x Front corner seals
- G** 2x End plug seals
- H** 2x End plug seals



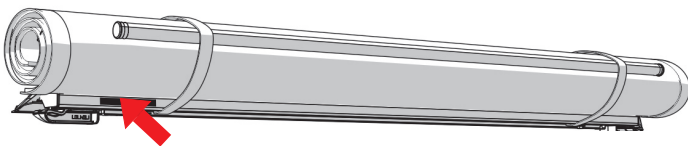
TOOLS REQUIRED

- Flat head screwdriver
- 1/2" wrench or socket

TOOLS RECOMMENDED

- Spring clamps
- Scissors/utility knife

1 The serial number for the cover is located here.

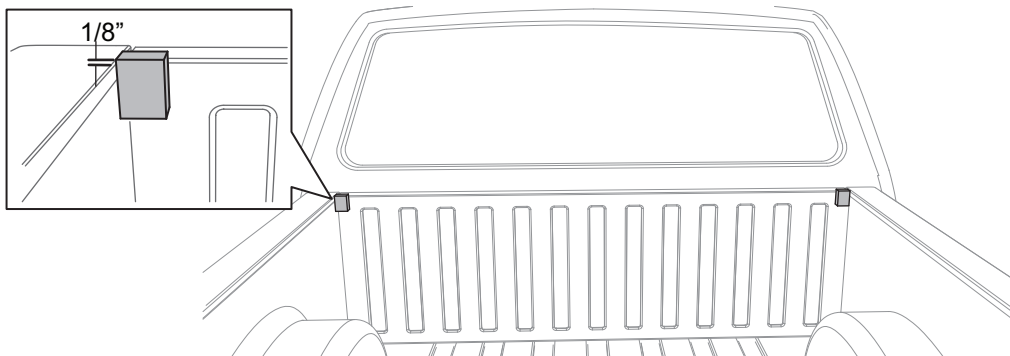


For future reference, write it here:

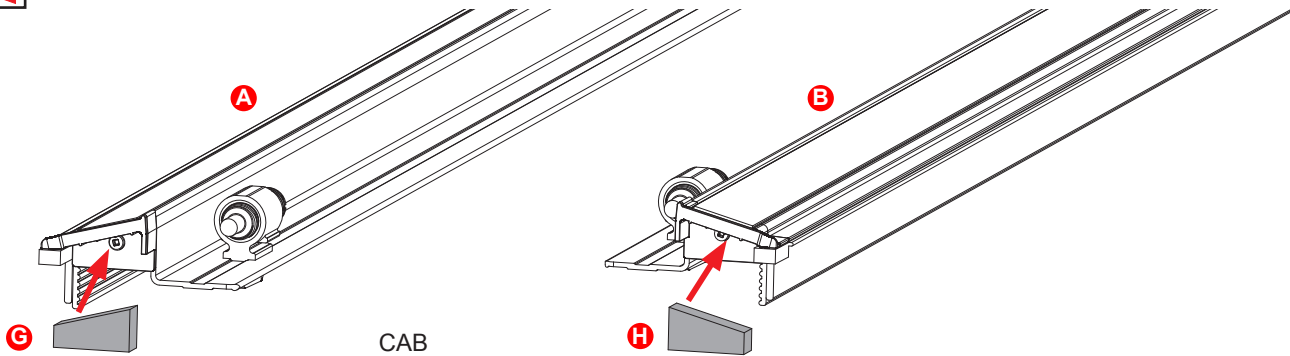
2 It is important that all areas where the bed cover mounts are clean and free of debris prior to installing.



3 Attach the front corner seals (F) by peeling the white paper backing off and attaching the seals to the front corners as shown. Front corner seals should sit 1/8" above the bed caps.

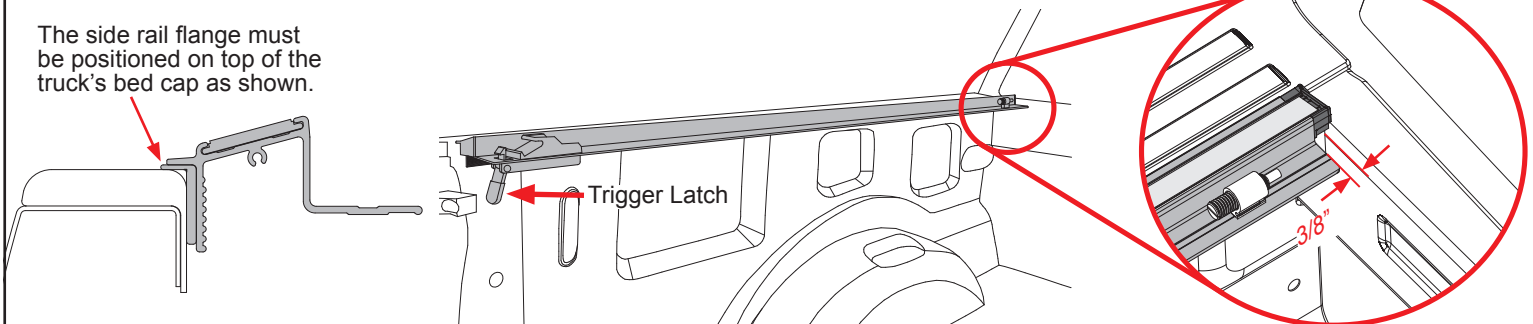


4 Attach the end plug seals (G and H) to the front of the driver and passenger side rails (A and B).



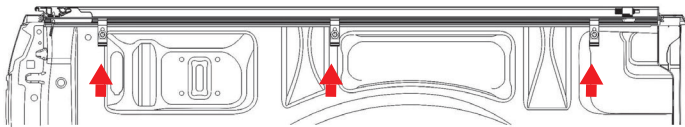
5 Position the driver side rail (A) to the inside of the truck's bed rail, making sure the flange of the driver side rail fits on top of the bed cap. The front edge of the rails will be 3/8" back from the bulkhead.

The side rail flange must be positioned on top of the truck's bed cap as shown.



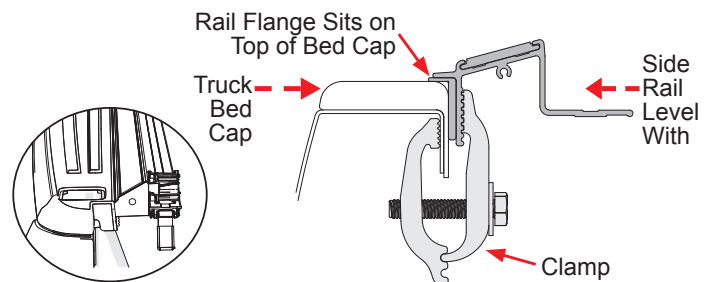
NOTE: The trigger latch is on the driver side rail only.

6 Begin clamping the driver side rail (A) to the truck bed. Start in the middle and evenly space 3 clamps (D) along the rail. You should leave approximately 8" on each end of the rail. Finger tighten the clamps, making sure the teeth properly engage with the grooves of the side rail. Then tighten all clamps with a 1/2" socket or wrench. Repeat step 5-6 on the passenger side rail (B).

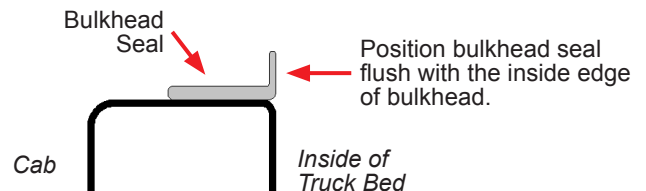
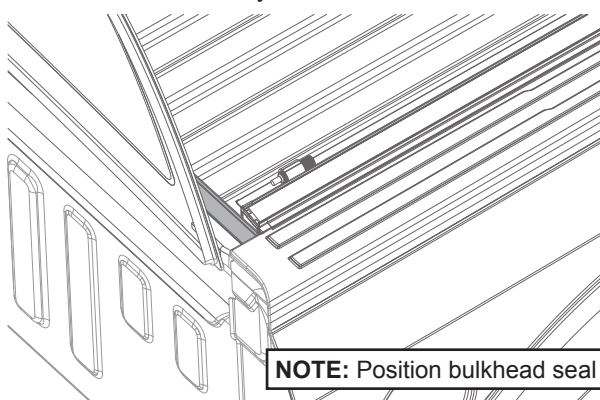


NOTE: The use of spring clamps to hold the side rail in place can assist during the installation process.

7 For optimal latching performance and cover fit, the side rails (A and B) should be level with the truck bed caps and not tilted up or down. To fine-tune side rail tilt, you can reposition the clamps. To adjust the rail tilt **upwards**, move the clamp as high as you can. To adjust the rail tilt **lower**, slide the clamp downwards toward the bottom of the rail. Tighten all clamps with a 1/2" wrench or socket.

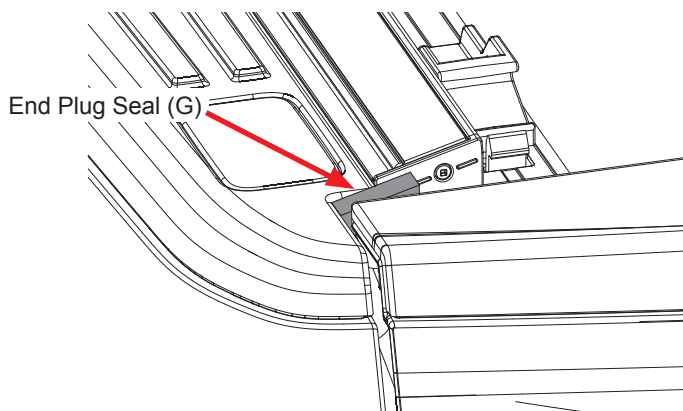


8 If your pickup has factory bed caps you will need to install the bulkhead seal (E) provided. Clean the top of the bulkhead before installing the seal. Peel the backing paper off and adhere the seal from one bed rail edge to the other. Remove any excess with scissors or a utility knife.

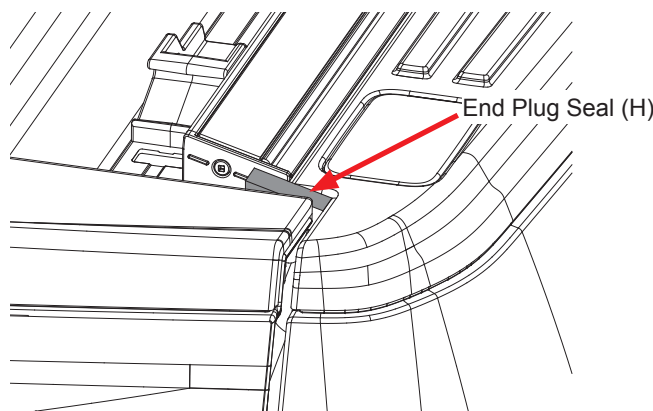


NOTE: Position bulkhead seal tight against rail endplug seal and bedcap.

9 Many truck tailgates, when closed, have corner gaps that allow moisture to enter the truck bed. Apply the end plug seals (G and H) to the side rail end plugs and truck bed corners to block moisture from entering the truck bed at the tailgate.



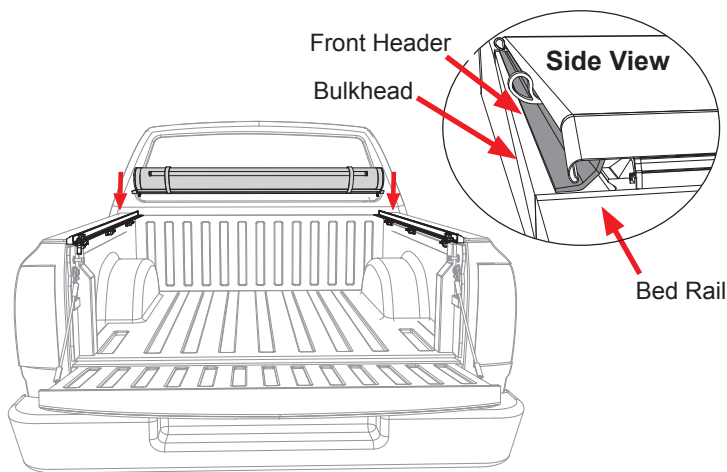
Driver Side Shown



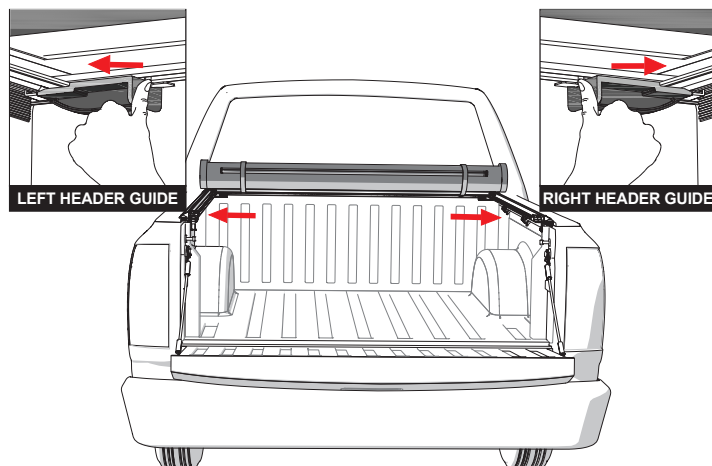
Passenger Side Shown

NOTE: If moisture does enter at the tailgate area then generally the moisture will run down the tailgate and out through the bottom of the tailgate and away from the truck.

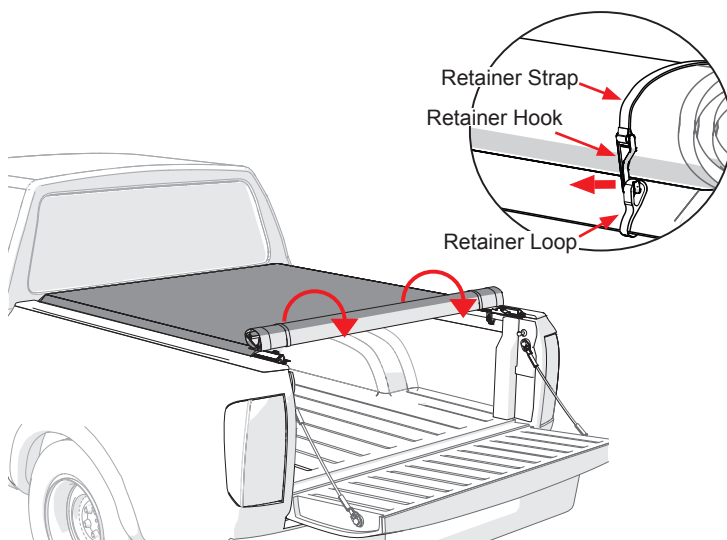
10 Place the cover (C) on the side rails towards the front of the truck bed (near the cab). The front header seal is designed to help shed water and should sit on top of the bulkhead.



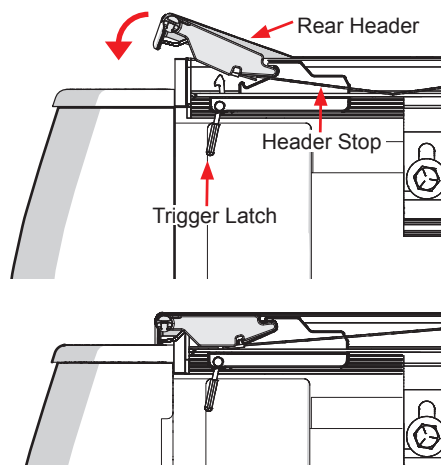
11 To connect the cover assembly (C) to the side rails (A and B), slide the right and left header guides into the locked position. A clicking sound will indicate a secure attachment.



12 Disengage the retainer hooks from the retainer loops and unroll the cover towards the tailgate.



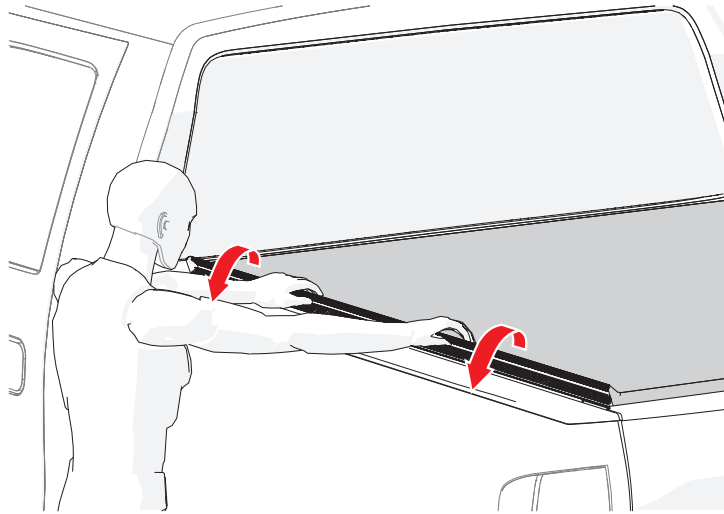
13 Place the rear header into the header stops which are located on both side rails. Rotate the rear header downwards until you feel the cover latch in place. A clicking sound will indicate a correctly installed cover.



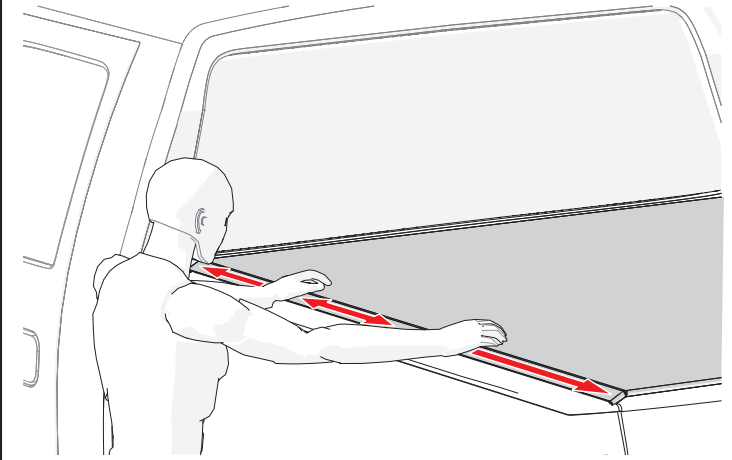
NOTE: We recommend closing the tailgate first and then closing the cover.



14 Once the cover is closed, grab the fabric flap and evenly pull it over the hook track engaging the loop to the hook.



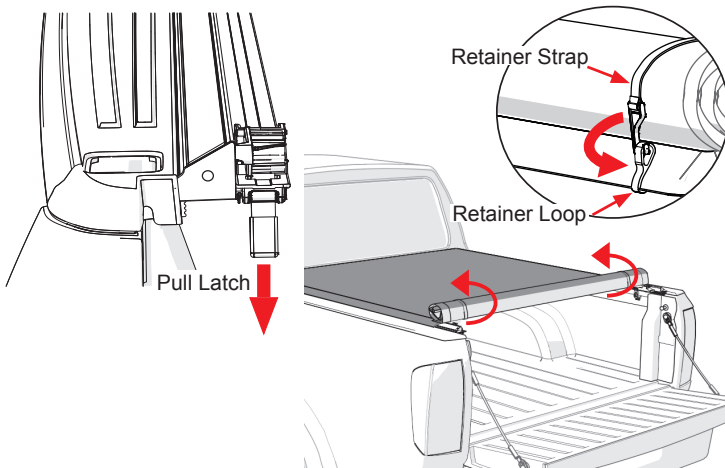
15 With both sides of the hook and loop engaged, use the palms of your hand to firmly push the loop strip into the hook track. Do this to both driver and passenger sides. **You are ready to drive with the cover in the closed position.**



HOOK AND LOOP MUST ALWAYS BE ADJUSTED AFTER ROLLING COVER CLOSED!

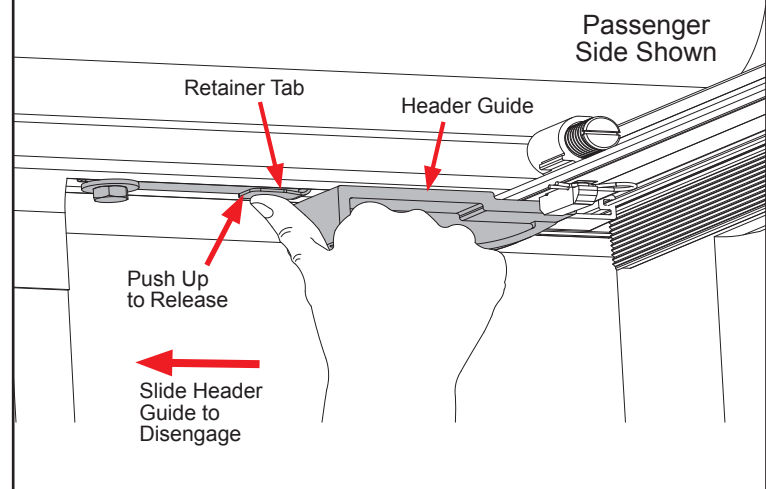
OPENING THE COVER

To drive with the cover in the open position, pull the latch towards you to release the cover (located on driver side rail). Roll the cover toward the cab of the truck, making sure that both sides roll evenly. Secure the cover by placing both retainer hooks into the retainer loops. **You are ready to drive with the cover in the open position.**



REMOVING THE COVER

To remove the cover from the side rails, push up on the retainer tab and then slide the header guide away from the side rail. Do this on both the driver and passenger side. Carefully lift the cover off the side rails.

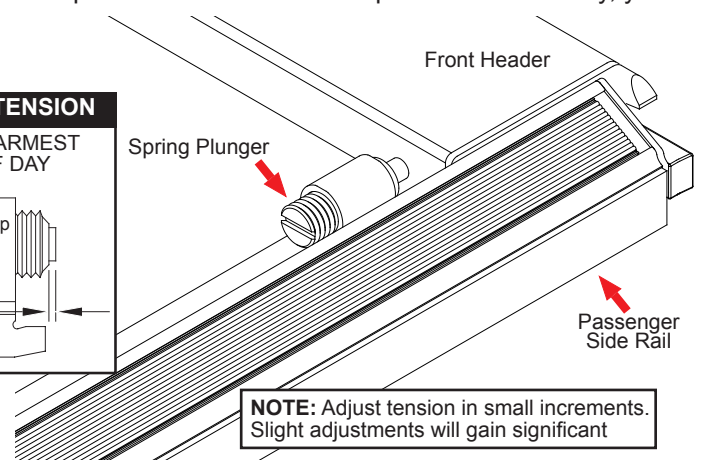
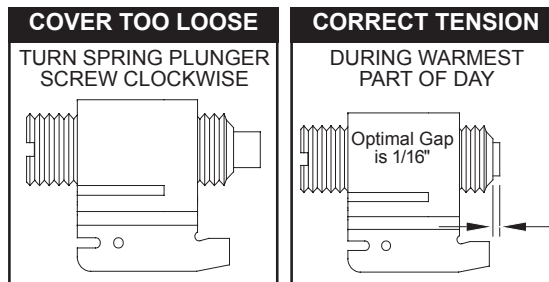


AUTOMATIC TENSION CONTROL ADJUSTMENT

ProX15 is equipped with Automatic Tension Control. This helps compensate for material expansion and contraction caused by extreme temperature changes. Proper tension allows the cover to look and perform at its best. While preset at the factory, you can check cover tension after installation as well as seasonally.

If the cover feels too tight or too loose when opening or closing it, adjust the tension during the warmest part of the day. With the cover closed, release the hook and loop fastener from both side rails near the cab. Check compression of both spring plungers against the front header per Detail C. Roll the cover open and make adjustments. Repeat until satisfactory tension has been achieved.

DETAIL C



LIMITED LIFETIME WARRANTY

WARRANTY COVERAGE

This truck bed cover is warranted against defects in materials or workmanship as follows. This warranty is void if the product has been damaged in an accident, or due to neglect, unforeseeable use, improper installation, improper servicing, or other cause not arising out of defects in material or workmanship.

LIMITED LIFETIME WARRANTY ON HARD PARTS

All hardware included with your truck bed cover, including rails, clamps and bows carry a limited lifetime warranty, subject to the terms below.

LIMITED LIFETIME WARRANTY FOR FABRIC

The fabric on your truck bed cover carries a limited lifetime warranty, subject to the terms below.

WARRANTY IS NOT TRANSFERABLE

The warranty is to the initial consumer purchasing the truck bed cover and it is not transferrable to a subsequent end user. Proof of purchase may be required to enforce these warranty rights.

WARRANTY CONDITIONS

Failure to follow these warnings and care instructions will void the warranty:

- Clean with mild automotive soap and water only.
- Do not use conditioners that contain silicone or petroleum (e.g., Armor All®).
- The tonneau cover must be secured at all points when the vehicle is in motion. When not fully closed with the rear latch engaged the cover must be completely rolled up and secured at the cab with both provided retainer straps attached. Do NOT drive with the bed cover in a partially open position.
- Cargo should not contact the tarp at any point. Protrusions in the tarp will stress the fabric. Cargo may also shift while traveling causing it to press against the fabric and damage it.
- Do NOT tie cargo to truck bed cover framework.
- Check rail clamps for tightness after a week of driving following the installation of the cover and periodically thereafter.
- Do NOT roll the cover into the rear cab window. Do NOT stow the cover against the cab of the truck.
- If the cover is going to be rolled open for an extended amount of time, periodically re-roll the cover and secure the retainer straps to ensure the cover doesn't rest against the cab of the truck.
- Before opening, the cover must be free of all foreign materials including snow and ice.
- Do NOT tow your vehicle from the rear with the cover on your vehicle. If towing from the rear is required, the cover MUST be removed from the vehicle and properly stored.

WARRANTY PERFORMANCE

If all warranty conditions are met, a defective truck bed cover, tarp, or hardware component will either be repaired or replaced (at our option). We reserve the right, for any warranty, to substitute a newer model of bed cover having similar form and function, to offer a warranty discount on an entire replacement system, and/or provide remedies other than those mentioned in this document.

WARRANTY PROCESS

A Return Material Authorization number must be obtained from our Customer Service Department prior to returning any product. We may require the original item to be returned postage prepaid for final determination. Shipping charges will apply for any repair or replacement. Other than postage or shipping charges, no charge will be made for repair or replacement under this warranty.

This warranty gives you specific legal rights. As a consumer, you may also have additional rights and remedies under the laws of your state.

WARRANTY REGISTRATION

Warranty registration must be on file and/or proof of original purchase (detailed and dated receipt) required for warranty to be effective.

Register online at <https://truxedo.com/warranty>

**REGISTER
YOUR
WARRANTY
ONLINE**



SAFETY INSTRUCTIONS

- DO NOT place objects on or against cover or framework.
- DO NOT tie cargo to truck bed cover framework.
- DO NOT attempt to drive with the cover in the partially open position.
- DO NOT operate vehicle with objects on top of the cover.
- NEVER allow children or pets to occupy pickup box while cover is closed.
- Cover is not airtight. Special care is required to keep cargo clean and dry.
- Tonneau covers won't prevent theft of contents inside truck box.
- The cover assembly (tarp) must be rolled fully open and secured with retainer straps when towing vehicle backwards.
- If the cover is going to be rolled open for an extended amount of time, periodically re-roll the cover and secure the retainer straps to ensure the cover doesn't rest against the cab of the truck.
- A fully rolled cover in the open position must always be secured with retainer straps.

TROUBLESHOOTING TIPS

WRINKLES ON THE FABRIC AFTER ROLLING COVER CLOSED

- Pull the fabric taut from each side. For best results, the help of a second person pulling on the opposite side is preferable.

SAGGING FABRIC BETWEEN THE CROSS BOWS

- Adjustment to automatic tension control may be required.

WIND LIFTS UP THE EDGE OF THE FABRIC

- Make sure to engage the hook and loop on the driver and passenger side rails after closing the cover. This may need to be done periodically when taking long trips.

FABRIC FLUTTERS EXCESSIVELY WHEN DRIVING

- Check cover tension, refer to the Automatic Tension Control section.
- Make sure hook and loop fasteners are set. See Step 13 - 14.

SNOW AND ICE ACCUMULATION ON THE FABRIC

- Use broom or brush to remove loose snow and ice. DO NOT use sharp or pointed tools to remove snow and ice.
- Direct sunlight will help melt snow and ice off the fabric.

TONNEAU COVER WILL NOT LATCH

- Check side rails to make sure they are level. See Step 7.
- Make sure the header seal is not caught between side rails & header.
- Check the position of side rails on the pickup box. They may be positioned too low. See Step 7.
- Make sure the cover has proper tension, refer to the Automatic Tension Control section.

FABRIC IS TOO TIGHT OR TOO LOOSE

- See Automatic Tension Control section to adjust tension.

FABRIC HAS SHIFTED TOO FAR TO ONE SIDE

- Unlatch the cover at the tailgate, release the hook and loop along both sides, go to the shorter side of the tarp and tug. The fabric will slide in the aluminum headers. Pull on the shorter side until the tarp appears centered on the whole system. Latch the cover and secure the hook and loop down both sides. Repeat if more adjustment is needed.

COVER CARE AND MAINTENANCE

- Clean with soap and water. Do not use vinyl conditioners (i.e. Armor All®).
- It is recommended that you periodically check that the cover is securely attached to your truck bed. Inspect the clamps and front header guide slides to ensure they were properly installed and have not come loose during operation.
- It is recommended that you periodically inspect and service the rear latch closure. Clean away any excess dirt or grime.
- Covers that are used frequently or are subject to vibrations and impacts from rough roadways may require adjustment.

FAQ

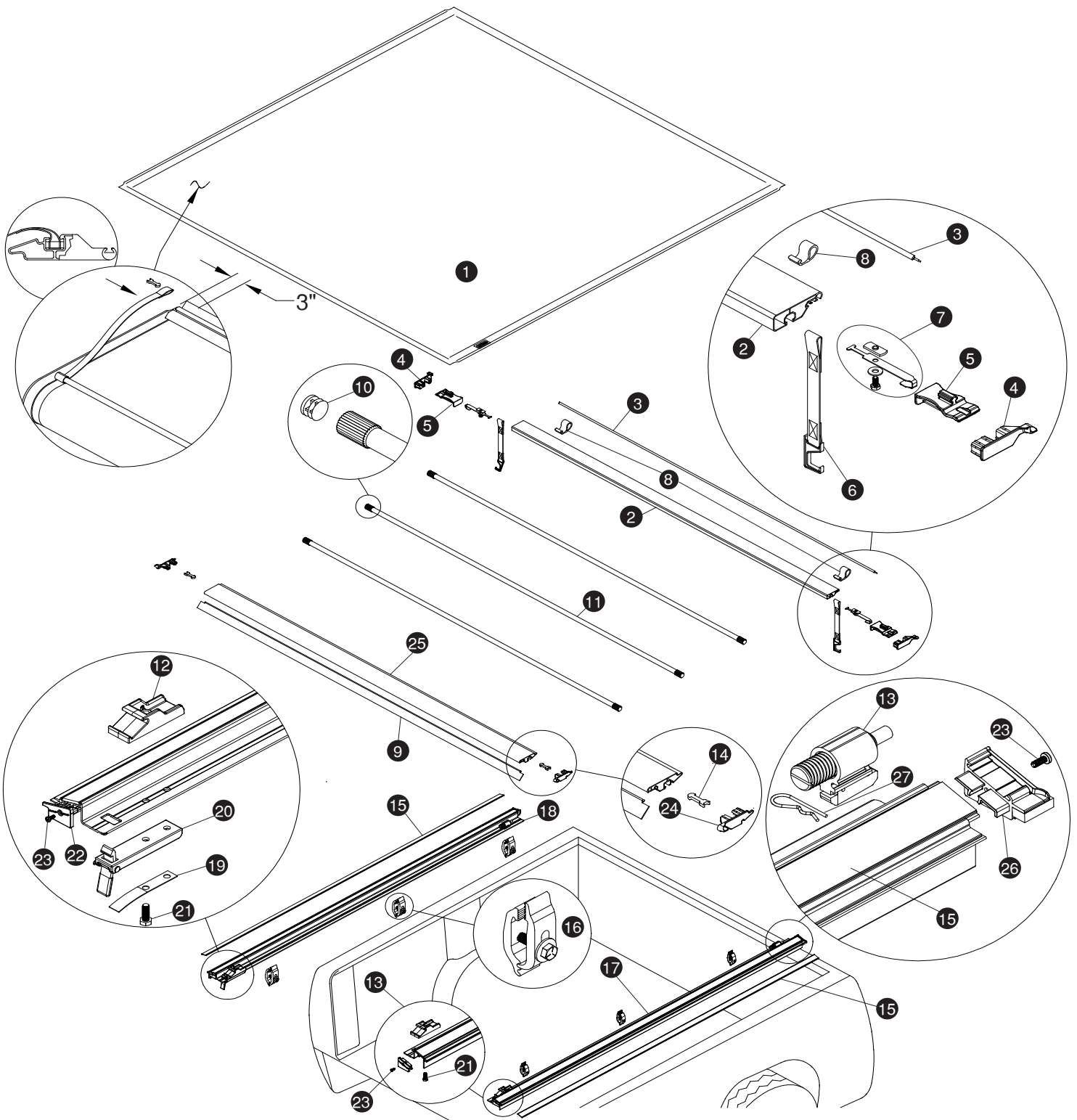
WHY IS THERE A HOLE PUNCHED AT THE REAR OF THE PASSENGER SIDE RAIL OF THE TRUXEDO LO PRO, DEUCE AND PRO X15 BUT NO LATCH?

All side rails are punched identically to keep them uniform, to ensure manufacturing efficiency and to reduce tooling costs. By doing this, TruXedo can build and ship more covers while maintaining competitively priced products of the highest quality.

WHY IS MY COVER HOLDING WATER AFTER IT RAINS?

Water pooling on the cover is normal because our cross bows are not arched. Since they are designed to sit flat some water may accumulate on the top of the cover. Once you drive your truck, the water will shed from the cover. Make sure to retighten the hook and loop fasteners along the length of the bed.





- | | | | | | | | | |
|----|---------|-------------------------------------|---------|-------------------------|--|---------|--|---|
| 1 | * | TruXedo Pro X15 Replacement Cover | 11 | * | Aluminum Cross Tubes | 17 | * | Pro X15 Rail, Passenger's Side |
| 2 | * | Black Front Header | 12 | 1704187 | Header Stop | 18 | * | Pro X15 Rail, Driver's Side |
| 3 | * | Header Seal Front | 13 | 1115356 | Tension Control Housing & Spring Tension | 19 | 1705727 | Flat Spring, 5/8" x 3 7/8" |
| 4 | 1117540 | Front Header End Plugs (Set of Two) | 14 | 1705787 | Header Insert Retainer Clip | 20 | 1704213 | Latch Assembled |
| 5 | 1704707 | Header Guide | 15 | * | Hook and Loop Fasteners | 21 | 1702926 | Cap Screw, 5/16" x 7/8" |
| 6 | * | Retainer Strap | 16 | 1705392 | Aluminum Clamp Single (1) | 22 | 1118700 | Rear Side Rail End Plugs w/Seal ProX15 (Set of Two) |
| 7 | 1117594 | Header Guide Retainer Assembly | 1705391 | Aluminum Clamp Pack (6) | 23 | 1706547 | Square Head Screw (#1 Drive) | |
| 8 | * | Extruded Retainer Loop | | | 24 | 1118192 | Rear Header End Plugs Pro X15 (Set of Two) | |
| 9 | * | Header Seal Rear | | | 25 | * | Black Rear Header | |
| 10 | 1705052 | End Plug, 1" OD | | | 26 | 1117467 | Front Side Rail End Plugs w/Seal ProX15 (Set of Two) | |
| | | | | | 27 | 1703332 | Pin, Hitch_1/16" Dia. x 1-5/16" Long | |

* Please specify length or make and model of vehicle.

