

# INSTALLATION INSTRUCTIONS

## **CUSTOMER SERVICE**

Phone: 866-900-8800 • 8:30 am - 5:00 pm Mon - Fri CST

Email: [info@undercoverinfo.com](mailto:info@undercoverinfo.com)



# MODEL SPECIFIC GUIDE

HIDDEN HINGE VERSION

2228

## Model 2228 Ford Super Duty Ext/ Crew 6.8' Short Bed 2023



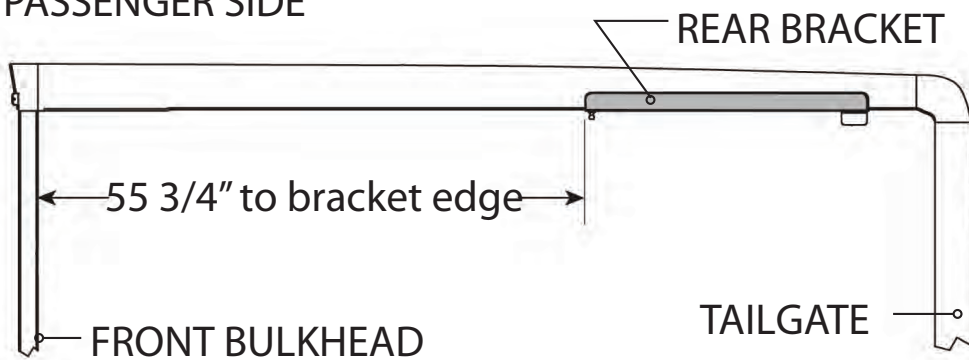
**Note:** This Cover will work with or without a tailgate step.



### RE: Step 2 on the Quick Start Guide

Measurement for the rear mounting bracket is 55 3/4" from the back side of the bulkhead to the front edge of the bracket.

### TOP VIEW PASSENGER SIDE



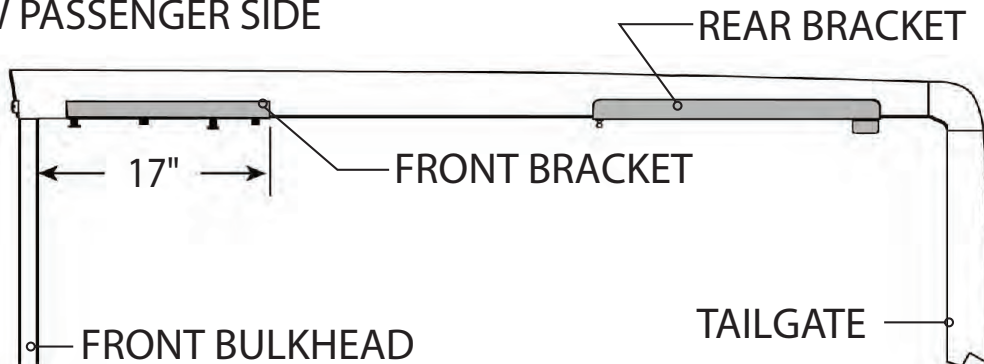
### RE: Step 3 on the Quick Start Guide

Measurement for the front mounting is 17" from the back side of the bulkhead to the end of the bracket. The fit of the cover to the truck bed is determined by the front mounting brackets. This measurement is a good starting point. Unfortunately not all truck beds are assembled 100% square, so some adjustments may be necessary after the cover is set on the truck.



**Warning!** Use only the rear two holes for clamps on the front bracket.

### TOP VIEW PASSENGER SIDE



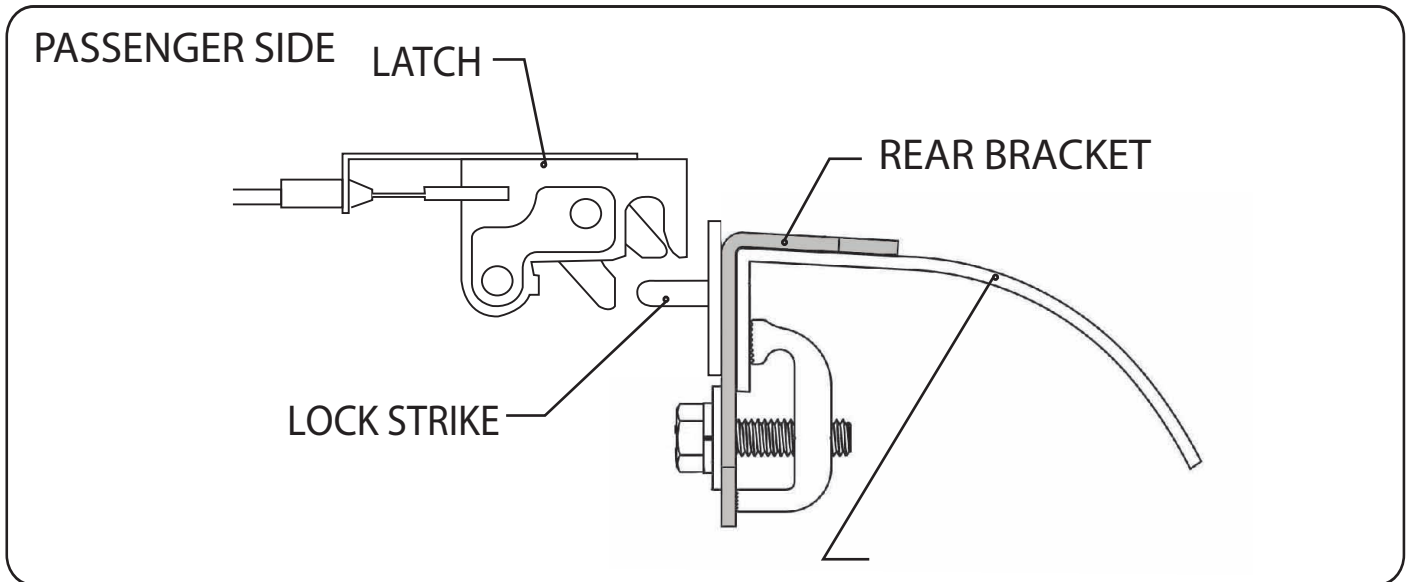


# MODEL SPECIFIC GUIDE HIDDEN HINGE VERSION

## Model 2228 Super Duty 6.8' Short Bed 2023

Adjust the lock strikes up or down accordingly. With the tailgate down adjust the lock strike to allow approximately 1/8" (3mm) play in the cover up and down.

Torque to 8.5ft lbs or 100in lbs.



It may be necessary to adjust the latch side to side, to do so loosen the two latch mounting bolts, adjust latch and tighten.

Torque to 8.5ft lbs or 100in lbs.

