

INSTALLATION INSTRUCTIONS

CUSTOMER SERVICE

Phone: 866-900-8800 • 8:30 am - 5:00 pm Mon - Fri CST

Email: info@undercoverinfo.com



MODEL SPECIFIC GUIDE

HIDDEN HINGE VERSION

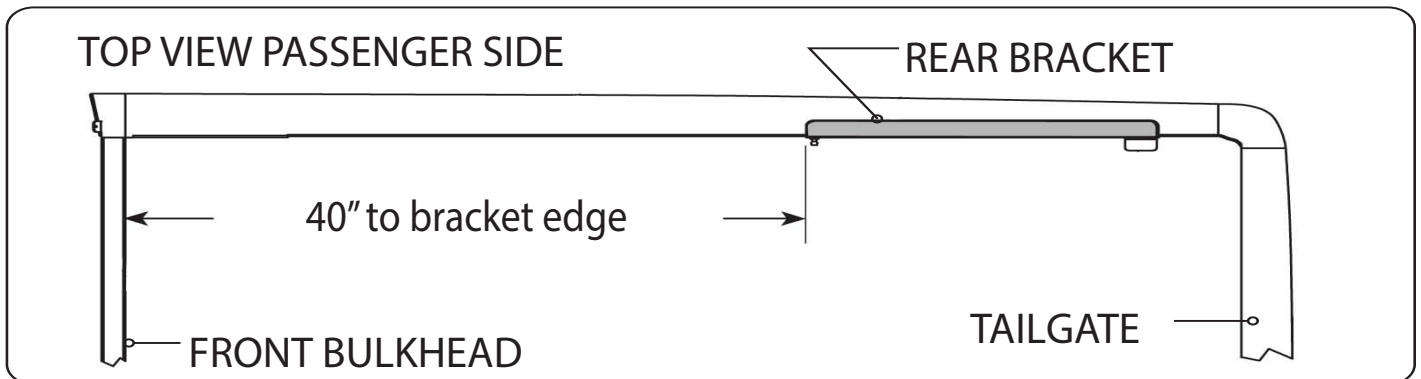
3088

Model 3088 Dodge Ram Crew/ Mega Cab 5.7' Short Bed 2009-2018 & 2019-2022 Classic Dodge Ram

Note: (Will Not Fit Dually/ Will Not Fit Ram Box/ Will Not Fit 2009 Ram 2500)

RE: Step 2 on the Quick Start Guide

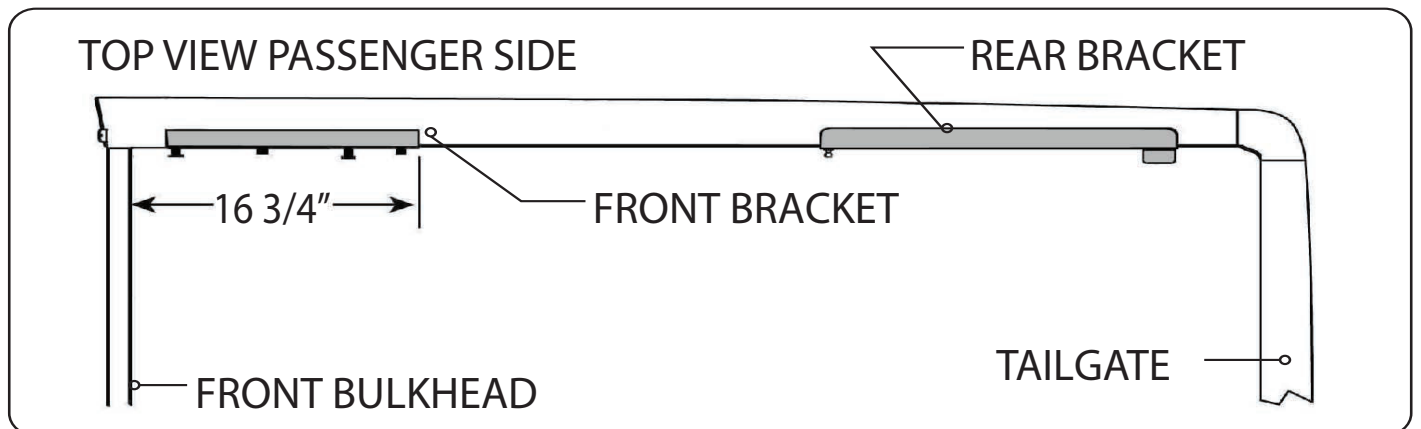
Measurement for the rear mounting bracket is 40" from the back side of the bulkhead to the front edge of the bracket.



RE: Step 3 on the Quick Start Guide

Measurement for the front mounting bracket is 16 3/4" from the back side of the bulkhead to the end of the bracket.

The fit of the cover to the truck bed is determined by the front mounting brackets. This measurement is a good starting point. Unfortunately not all truck beds are assembled 100% square, so some adjustments may be necessary after the cover is set on the truck.



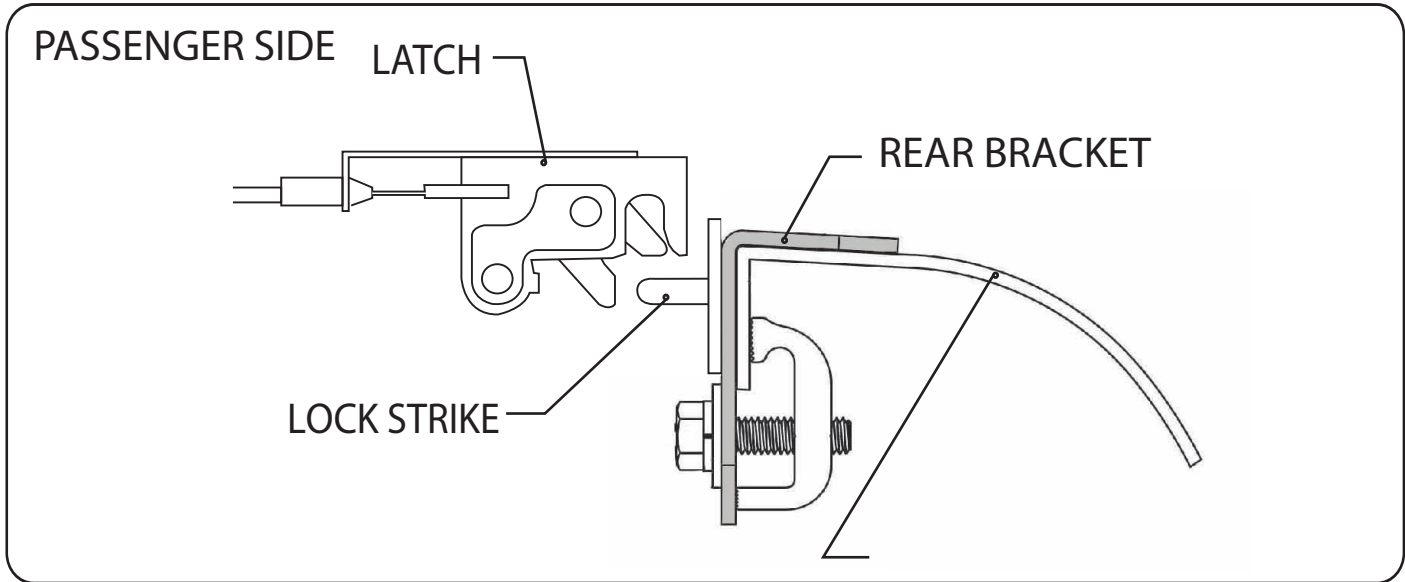


MODEL SPECIFIC GUIDE HIDDEN HINGE VERSION

Model 3088 Dodge Ram Crew/ Mega Cab 5.7' Short Bed 2009-2018 & 2019-2022
Classic Dodge Ram

Adjust the lock strikes up or down accordingly. With the tailgate down adjust the lock strike to allow approximately 1/8" (3mm) play in the cover up and down.

Torque to 8.5ft lbs or 100in lbs.



It may be necessary to adjust the latch side to side, to do so loosen the two latch mounting bolts, adjust latch and tighten.

Torque to 8.5ft lbs or 100in lbs.

