

INSTALLATION INSTRUCTIONS

CUSTOMER SERVICE

Phone: 866-900-8800 • 8:30 am - 5:00 pm Mon - Fri CST

Email: info@undercoverinfo.com



MODEL SPECIFIC GUIDE

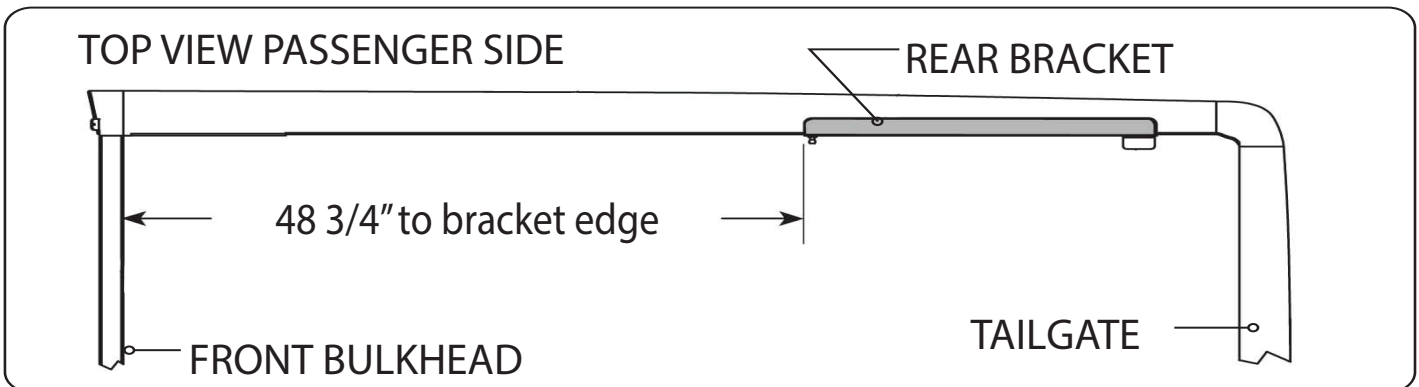
HIDDEN HINGE VERSION

3118

Model 3118 Dodge Ram Std/Ext/Crew Cab 6.4' Short Bed 2019-Current (Will Not Fit Dually/Will Not Fit Ram Box/ Will Not Fit Multifunction Tailgate)

RE: Step 2 on the Quick Start Guide

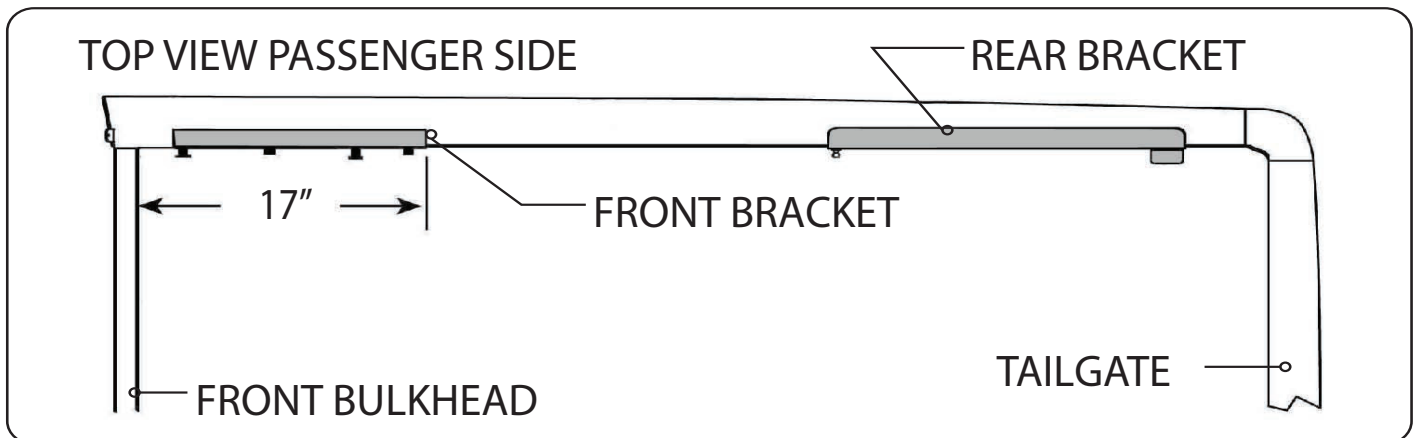
Measurement for the rear mounting bracket is 48 3/4" from the back side of the bulkhead to the front edge of the bracket.



RE: Step 3 on the Quick Start Guide

Measurement for the front mounting bracket is 17" from the back side of the bulkhead to the end of the bracket.

The fit of the cover to the truck bed is determined by the front mounting brackets. This measurement is a good starting point. Unfortunately not all truck beds are assembled 100% square, so some adjustments may be necessary after the cover is set on the truck.





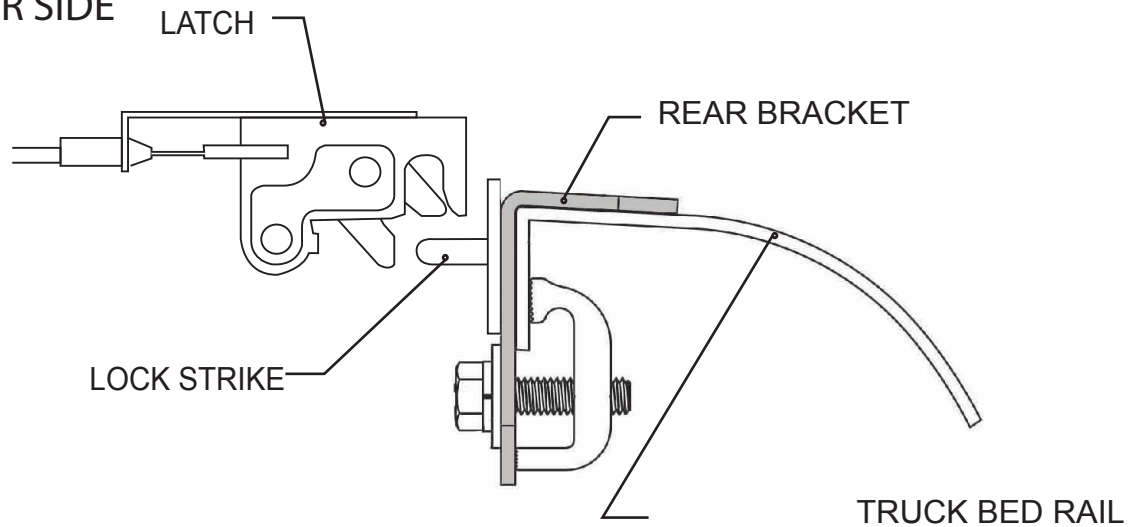
MODEL SPECIFIC GUIDE HIDDEN HINGE

VERSION Model 3118 Dodge Ram Std/Ext/Crew Cab
6.4' Short Bed 2019-Current

Adjust the lock strikes up or down accordingly. With the tailgate down adjust the lock strike to allow approximately 1/8" (3mm) play in the cover up and down.

Torque to 8.5ft lbs or 100in lbs.

PASSENGER SIDE



It may be necessary to adjust the latch side to side, to do so loosen the two latch mounting bolts, adjust latch and tighten.

Torque to 8.5ft lbs or 100in lbs.

PASSENGER SIDE

