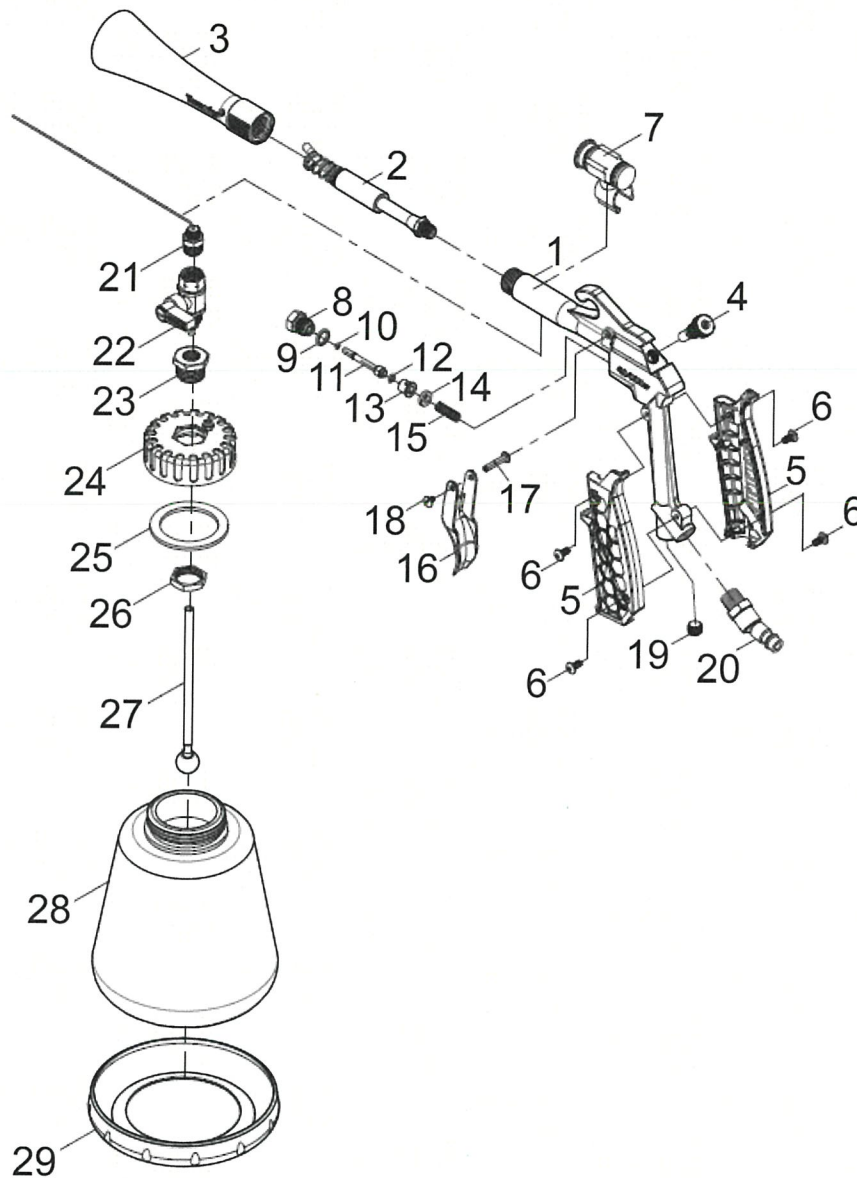


# TORNADOR<sup>MAX</sup>



Ref. No.	Part No.	Description	Q'ty	Ref. No.	Part No.	Description	Q'ty
			Tool				Tool
1	TM-001	Housing	1	17	CT-007	Pin	1
2	TM-002	Spring Rotate Set	1	18	CT-006	Screw	1
3	TB-100	Nozzle (Matt Finish)	1	19	SPZ020S005	Screw	1
4	TM-003	Air Regulator Assembly	1	20	TM-006	Swivel Air Inlet	1
5	TM-009	Side Cap Assembly	1	21	TB-600	Inner Tube Assembly	1
6	SPZ020S004	Screw	4	22	CT-700	Air Reverse Switch Assembly	1
7	TM-004	LED Light Assembly	1	23	CT-016	Screw	1
8	CT-011-09-015	Screw	1	24	CT-300	Cap (with hole) and Valve	1
9	In CT-010SK*	O-Ring (9x2)	1		CT-400	Cap (closed)	1
10	CT-030*†	O-Ring (2x1)	1	25	CT-018*	Gasket (O-Ring) f. valve type	1
11	CT-012†	Valve Stem	1	26	CT-419	Nut	1
12	CT-025*†	O-Ring (3.5x1.5)	1	27	CT-500	Tube Assembly	1
13	CT-010†	Bushing	1	28	TM-007	Cup	1
14	CT-011*†	Gasket	1	29	TM-008	Cup Cover	1
15	CT-415*†	Spring	1		CT-010SK	Tornador Service Kit*	
16	TM-005	Trigger	1		CT-420	Plunger Assembly†	

\* contained within Tornador Service Kit

† contained within Plunger Assembly