

# Big Tex Grille Guard

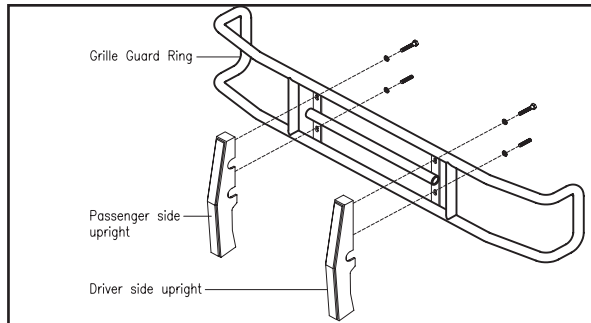
Installation Instructions

**77753 / 77753B**

GMC Sierra 2500HD/3500

'11 - '14

**Some models without tow hooks, will require the plastic tow hook pocket to be trimmed for bracket clearance.**



**Diagram 1**

**Parts List:**

1 - Grille Guard Ring	2- Threaded plates #77699-9
1 - Driver Side Upright	10 - 1/2" x 1 1/2" Bolts
1 - Passenger Side Upright	10 - Flat Washers
1 - Driver Top Bracket #77753-15	10 - 1/2" Lock Washers
1 - Pass. Top Bracket #77753-16	
2 - Bottom Brackets #77753-7	<b>*May include extra hardware.</b>

**Note: Completely read instructions before beginning installation!**

1. Remove the contents from the box and check for missing pieces or damage. If parts are missing or damaged, contact the original place of purchase.
2. Open the hood on the truck. Locate the factory radiator cover and the plastic rivets attaching the cover, using **Diagram 2**. The plastic rivets need to be removed by using a flat head screwdriver to pull up on the middle of the pop rivets. Remove the bottom part of pop rivet by placing a screwdriver under the bottom and push up. Repeat this procedure to remove all pop rivets. Do not remove factory grille.
3. Locate the top driver bracket #77753-15 for installation at this time. Remove the factory bumper bolt on the top side of the driver frame rail, right behind the bumper. Slide the top driver bracket #77753-15 gently through factory grille as shown in **Diagram 4**. Place the top driver bracket #77753-15 over the bolt hole opening. Replace the factory bumper bolt through the top bracket and into the bolt hole. Hand tighten this bolt at this time. On some applications there is a tab on the back side of the plastic bumper cap that can interfere with the bracket mounting. If the tab creates interference, the tab must be bent upwards or removed.
4. Locate the top passenger bracket #77753-16 and repeat step number 3 for the passenger side.
5. Locate the driver and passenger bottom brackets # 77753-7 for installation at this time. On the driver side remove the nut on the tow hook bolt referring to **Diagram 5**. Place the bracket #77753-7 up to bolt and replace nut, the bracket will be on the outside of the frame. On passenger bottom bracket #77753-7, the tow hook bolt will have to be removed. Place bracket onto the outside of the frame then replace bolt through frame and tow hook. Leave loose at this time. If the vehicle does not have factory tow hooks the tow hook substitute brackets #77699-9 will need to be used. The brackets #77699-9 will need to be slide inside the frame and (1) 1/2" x 1 1/2" bolt with (1) 1/2" lock washer and (1) 1/2" flat washer inserted through the lower brackets and then threaded into the #77699-9. Some trucks with and without tow hooks may need the tow hook pocket cover and surrounding area removed or trimmed for bracket clearance. This does not apply to all vehicles.
6. Align the grille guard upright holes to the top and bottom bracket holes. Attach the grille guard uprights to the top and bottom brackets using (2) 1/2" x 1 1/2" bolts, (2) 1/2" flat washers (2) 1/2" lock washers, per upright. The uprights will have the cross tube notches facing inside and each other when orientated properly. Hand tighten all bolts at this time.
7. Using **Diagram 1**, assemble the grille guard ring to the uprights using (4) 1/2" x 1 1/2" bolts, (4) 1/2" flat washers, and (2) 1/2" lock washers. Hand tighten all bolts at this time.
8. Center the grille guard on the vehicle. Tighten all bolts at this time insuring the grille guard remains centered on vehicle.
9. Locate radiator cover and plastic rivets removed on step one. Align radiator cover with rivet holes. Reinstall rivets into cover, which is reverse of step one.

# Big Tex Grille Guard

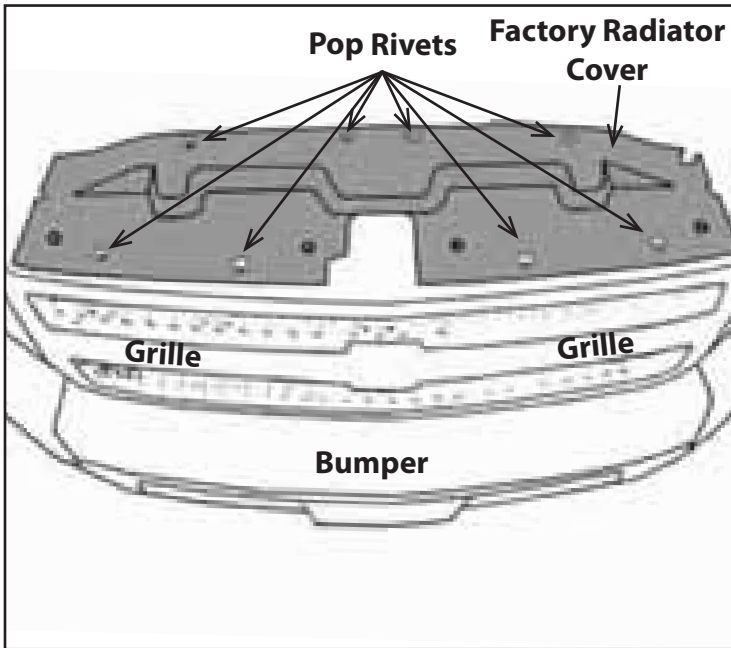
Installation Instructions

## 77753 / 77753B

GMC Sierra 2500HD/3500

'11 - '14

**View of Factory Grille and Radiator Cover**



**Diagram 2**

**View of Driver Upper Bracket #77753-15 without Grille Installed**



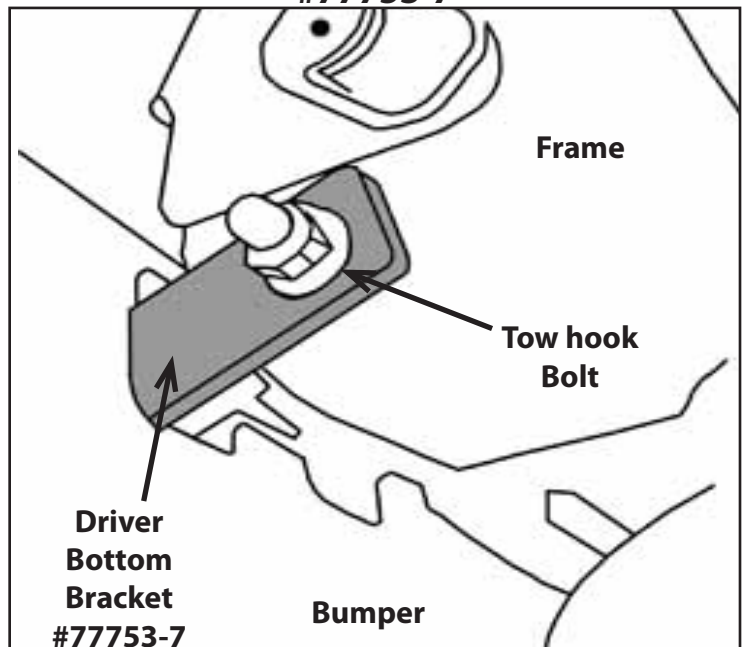
**Diagram 3**

**Passenger Side View of Brackets #77753-16 & #77753-7 Installed**



**Diagram 4**

**Rear View of Driver Bottom Bracket #77753-7**



**Diagram 5**