

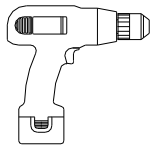


**2019 Ford Ranger  
Mud Flap Set, Front  
Mounting Diagram & Instructions  
Kit# GCR45F**

**IMPORTANT:**

*Manufacturer is not responsible for negligent use of vehicle with mud flaps installed, including over-tightening of screws and bolts causing damage to vehicle or mud flaps.*

**TOOLS REQUIRED-**



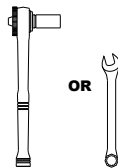
*Electric or Rechargeable Drill*



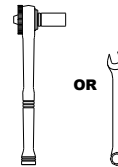
*1/4" Drill Bit*



*Push Pin Removal Tool*



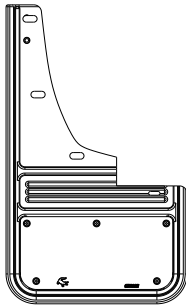
*3/8" Open Wrench  
or Socket Wrench*



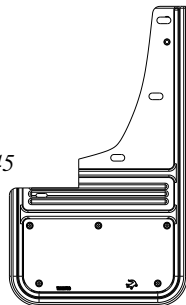
*7/16" Open Wrench  
or Socket Wrench*

**FLAPS**

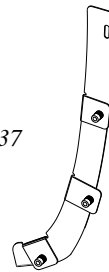
*(1) Flap  
Front, DS  
Part #767044*



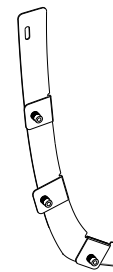
*(1) Flap  
Front, PS  
Part #767045*



*(1) Bracket  
Front, DS  
Part #767037*



*(1) Bracket  
Front, PS  
Part #767038*

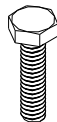


**PARTS BAG # 767050**

*a) (6) Capscrew, Blk Oxidized  
SS, 1/4-20UNC x 3/8"  
Part #014069*



*b) (2) Screw  
SS, 1/4-20 x 1"  
Part #014007*



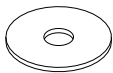
*c) (2) Lock Washer  
SS, 1/4", Helicoil  
Part #024000*



*d) (2) Nut, Hex  
SS, 1/4-20  
Part #025000*



*d) (4) Washer, Flat  
1 OD", SS  
Part #018028*



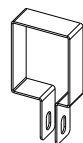
*e) (6) Washer, Flat,  
1"OD, SS, Blk Ox.  
Part #018069*



*f) (6) Washer, Flat  
1/8" Nylon  
Part #054076*

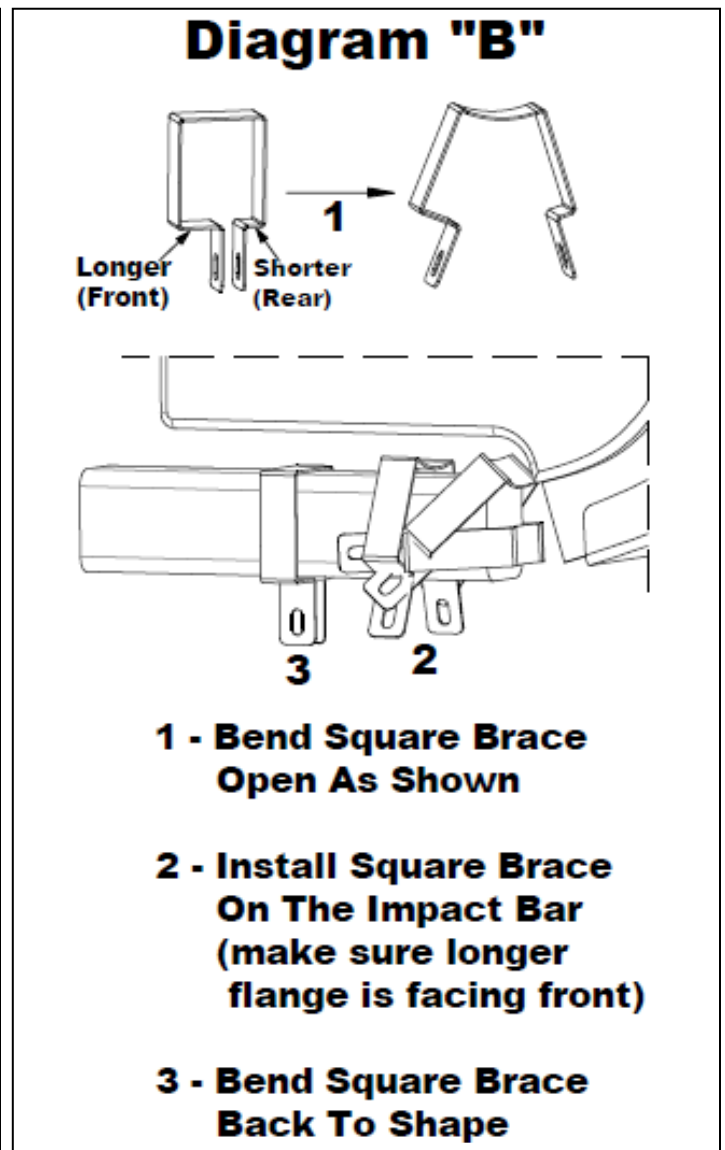
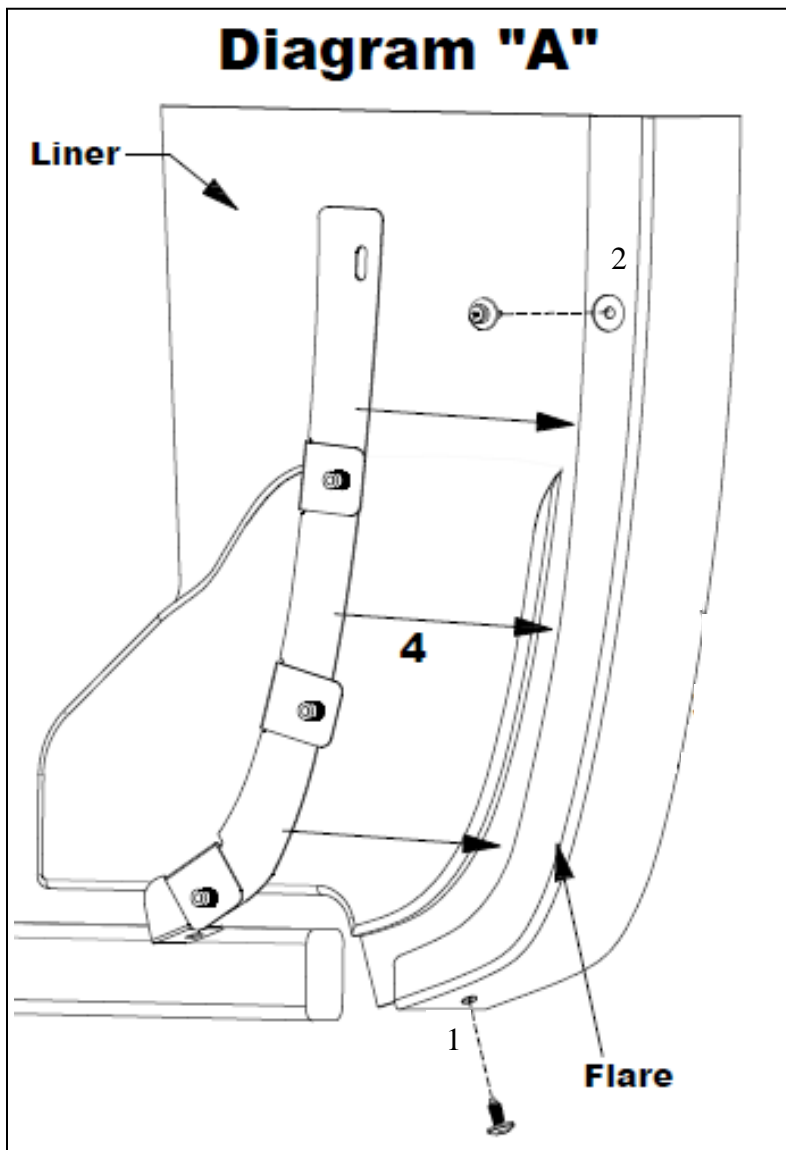


*g) (2) Brace Bar  
Square  
Part #767039*



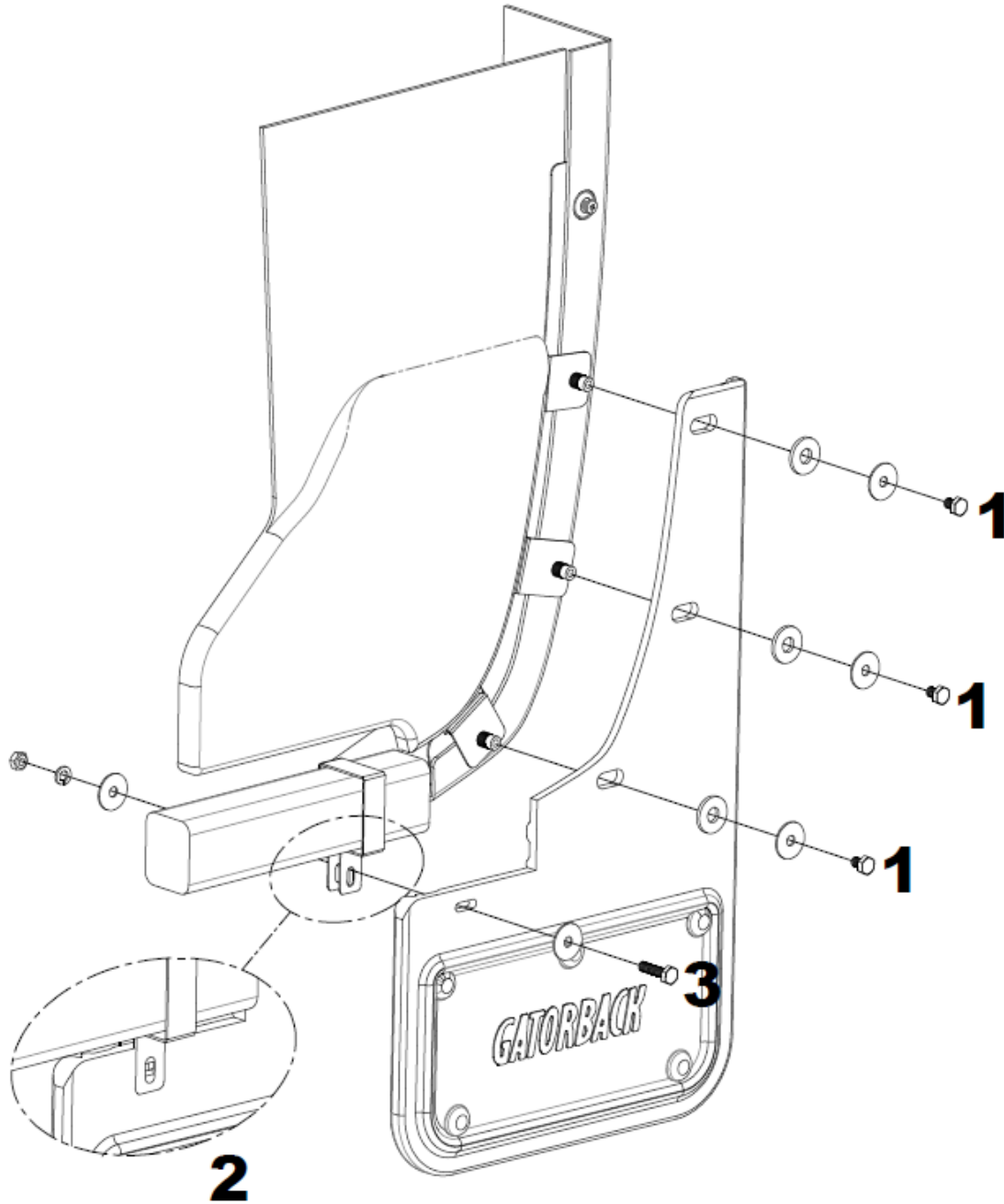
## INSTALLATION *(For ease of installation it is suggested that the wheel be removed)*

1. Before you install your Mud Flap Set, see the diagram and parts list for all necessary parts.
2. Remove the (1) factory screw on the underside of the flare (Diagram "A" hole #1) and set aside to reinstall later.
3. Remove the (1) factory push pin on the upper portion of the flare (Diagram "A" hole #2) and set aside to reinstall later.
4. Gently pull flare out and install bracket between flare and inner liner.  
\*Note: Bracket will require slight bend to properly fit\*
5. Realign and re-install screw in bottom of flare (Diagram "A" hole #1), and push pin on upper portion of flare Diagram "A" (hole #2).
6. Install square brace on the tire retention impact bar, as shown in Diagram "B".



7. Align the slots in the mudflap with the riv nuts in the brackets, as shown in Diagram “C”
8. Install first the nylon washer, then a black stainless washer and a black ¼” stainless steel bolt through holes marked as #1 as shown in Diagram “C”
9. Slide square brace into place as shown in Diagram “C”, number 2, and install through hole #3 with a stainless washer, and ¼” stainless steel bolt. Secure from behind using a stainless steel washer, lock washer, and hex nut.
10. Before tightening, check that the flap is straight and level using a square or bubble level. (Do not over tighten)
11. Repeat procedure for the passenger side.

## Diagram “C”



Please check out our YouTube channel to see an install video for this application.

