



2021-2022 Buick Envision

Mud Flap Set, Front

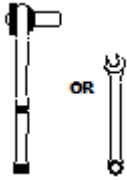
Mounting Diagram & Instructions

Kit# GCR208F

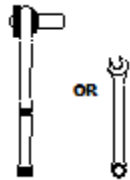
IMPORTANT:

Manufacturer is not responsible for negligent use of vehicle with mud flaps installed, including over-tightening of screws and bolts causing damage to vehicle or mud flaps.

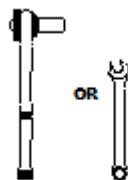
TOOLS REQUIRED-



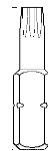
5/16" Open Wrench or Socket Wrench



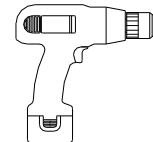
3/8" Open Wrench or Socket Wrench



1/4" Open Wrench or Socket Wrench



T15 Torx Bit



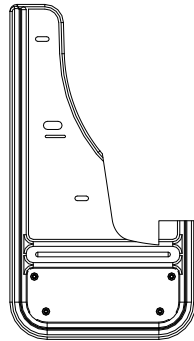
Electric or Rechargeable Drill



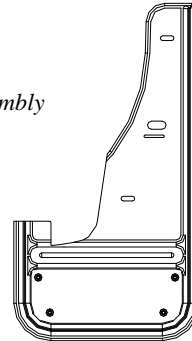
1/4" Drill Bit

FLAPS

(1) Flap Assembly, Front, DS

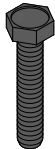


(1) Flap Assembly, Front, PS



PARTS BAG # 770392

a) (2) Screw, Mach. 10-24x1, Hex Hd Blk Ox. Part # 012050



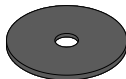
b) (2) Cap Screw 1/4-20 UNC x 5/8", Blk Ox. Part #014071



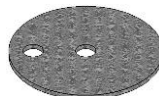
c) (4) Sht Metal Screw #8-18 x 1", Blk Ox. Part #016055



d) (4) Washer, Flat 0.203" x 1" 18g, SS, Blk Ox. Part #018070



e) (4) Washer, Offset 0.203" x 1.5" Blk Ox. Part #018080



f) (2) Washer, Mud Flap Clip 0.281" x 1.5" Blk Ox. Part #018084



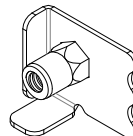
g) (2) Nut, Hex #10-24, SS Part # 025003



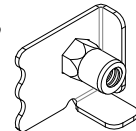
h) (2) Washer, Lock 18-8SS, Helicoil Part #024001



i) (1) Mount Clip Driver Side Part #769312



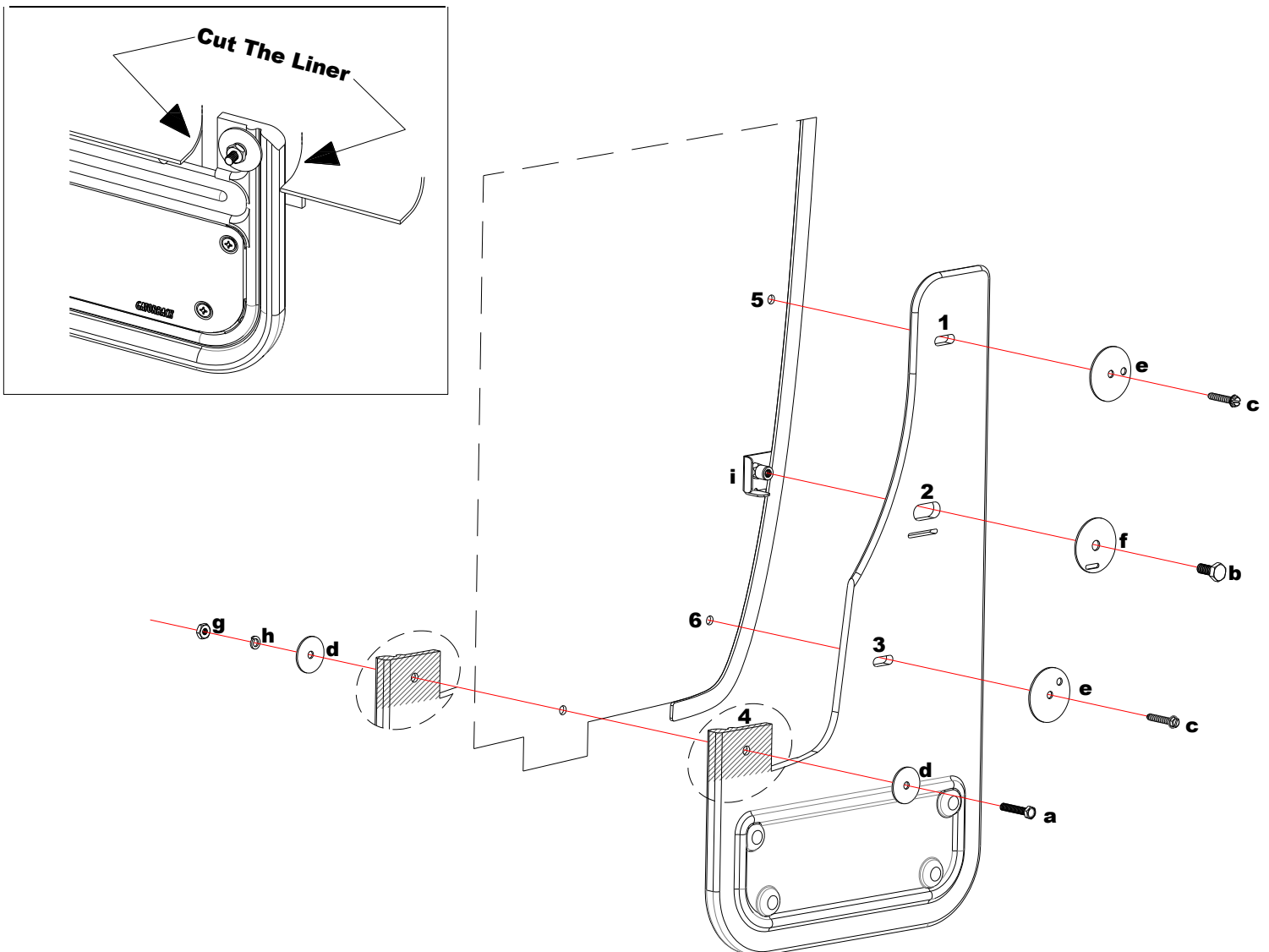
j) (1) Mount Clip Passenger Side Part #769313



INSTALLATION (For ease of installation it is suggested that the wheel be removed)

1. Before you install your Mud Flap Set, see the diagram and parts list for all necessary parts. Start on the driver's side.
2. Hold flap up to wheel well and align mud flap holes with factory bolts to determine where to cut the liner, and mark. Set mud flap aside and cut liner to ninety-degree bend.
3. Remove 2 factory bolts from factory holes #5 & #6.

4. Loosely install mud flap clip (i) on mud flap hole #2 using a cap screw (b) and washer (f).
5. Ensuring that the mud flap ear is tucked behind the factory liner, loosely install mud flap hole #3 to factory hole #6 using a sheet metal screw (c) and offset washer (e).
6. Slide mud flap clip (i) behind fender lip.
7. Loosely install mud flap hole #1 to factory hole #5 using a sheet metal screw (c) and flat washer (e).
8. With a square or other levelling tool, ensure that the mud flap is level.
9. Carefully tighten all fasteners and ensure that the flap has remained level.
10. Drill a 1/4" hole through mud flap hole #4 into factory liner.
11. Install mud flap hole #4 to newly drilled hole in liner using a machine screw (a) and flat washer (d), and secure using a flat washer (d), lock washer (h), and hex nut (g).
12. Repeat procedure for the passenger side.



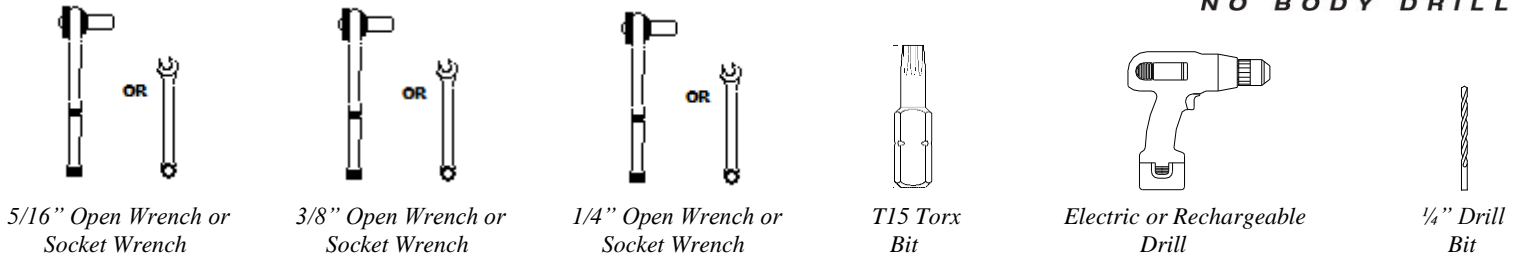
Please check out our YouTube channel to see an install video for this application.



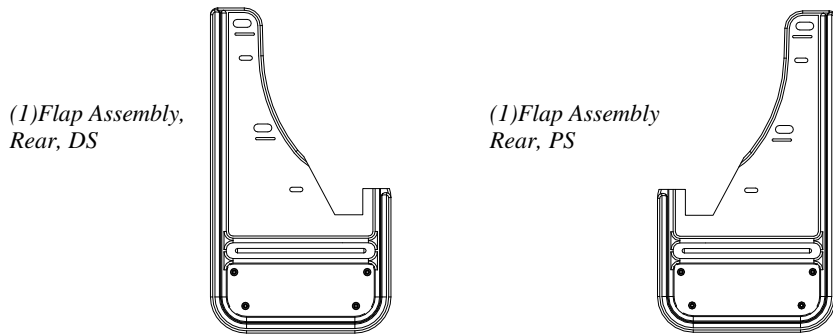
IMPORTANT:

Manufacturer is not responsible for negligent use of vehicle with mud flaps installed, including over-tightening of screws and bolts causing damage to vehicle or mud flaps.

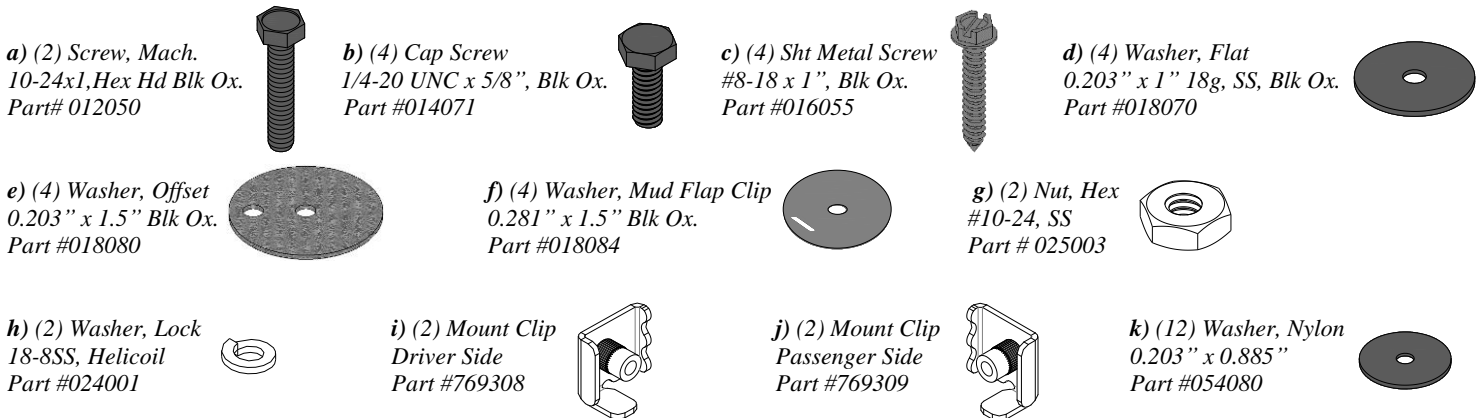
TOOLS REQUIRED-



FLAPS



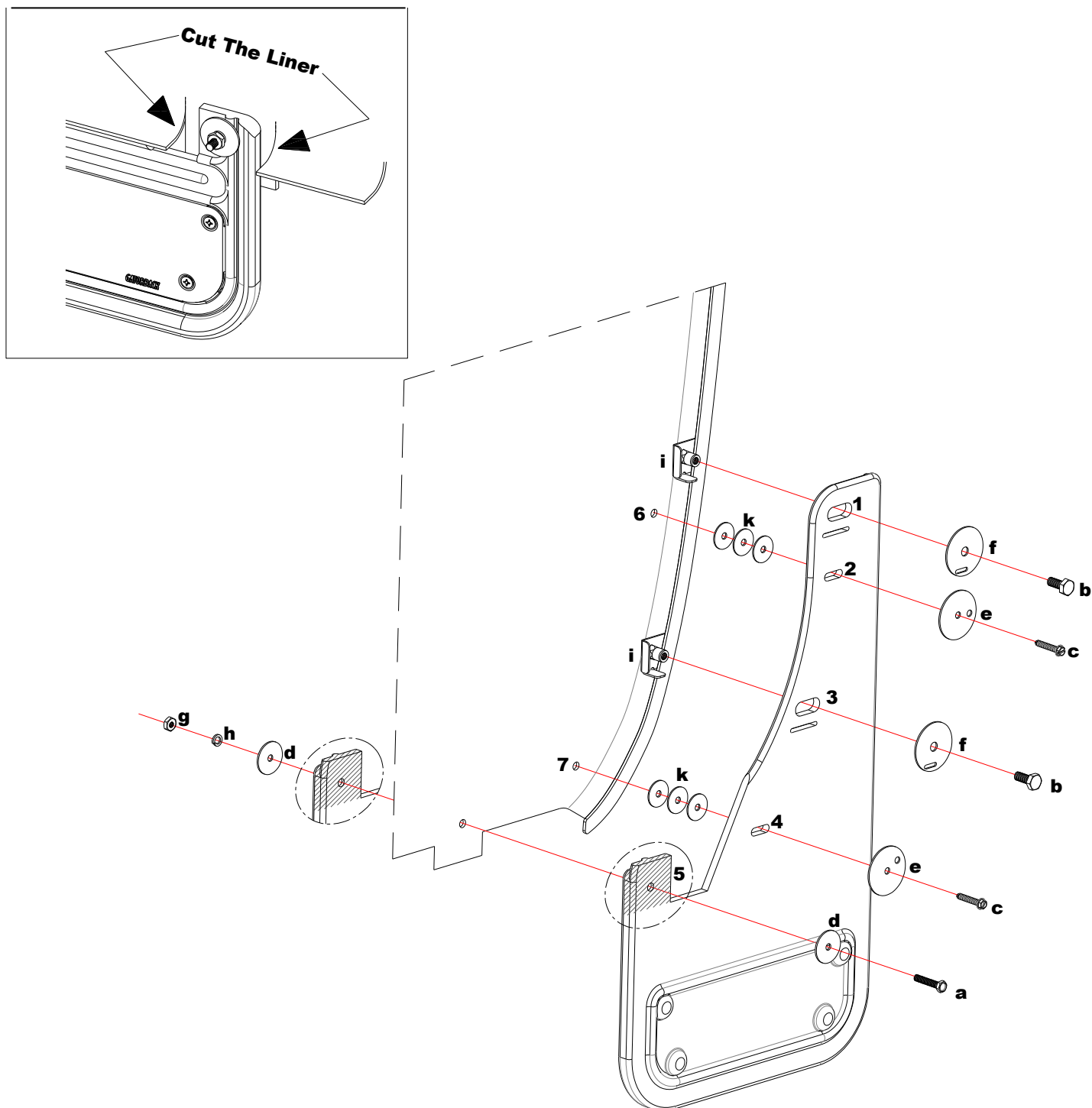
PARTS BAG # 770393



INSTALLATION (For ease of installation it is suggested that the wheel be removed)

1. Before you install your Mud Flap Set, see the diagram and parts list for all necessary parts. Start on the driver's side.
2. Hold flap to wheel well aligning mud flap holes with factory bolts and use mud flap ear as a guide to determine where to cut the liner. Mark that spot, then set mud flap aside and cut liner to ninety-degree bend.
3. Remove 2 factory bolts from factory holes #6 & #7.
4. Loosely install mud flap clip (i) on mud flap holes #1 & #3 using a cap screw (b), and washer (f).

5. Ensuring that the mud flap ear is tucked behind the factory liner, loosely install mud flap hole #4 to factory hole #7 using a sheet metal screw (c), offset washer (e), and 3 nylon washers (k).
6. Slide both mud flap clips (i) behind fender lip.
7. Loosely install mud flap hole #2 to factory hole #6 using a sheet metal screw (c), flat washer (e), and 3 nylon washers (k).
8. With a square or other levelling tool, ensure that the mud flap is level.
9. Carefully tighten all fasteners and ensure that the flap has remained level.
10. Drill a 1/4" hole through mud flap hole #5 into factory liner.
11. Install mud flap hole #5 to newly drilled hole in liner using a machine screw (a), and flat washer (d), and secure using a flat washer (d), lock washer (h), and hex nut (g).
12. Repeat procedure for the passenger side.



Please check out our YouTube channel to see an install video for this application.

