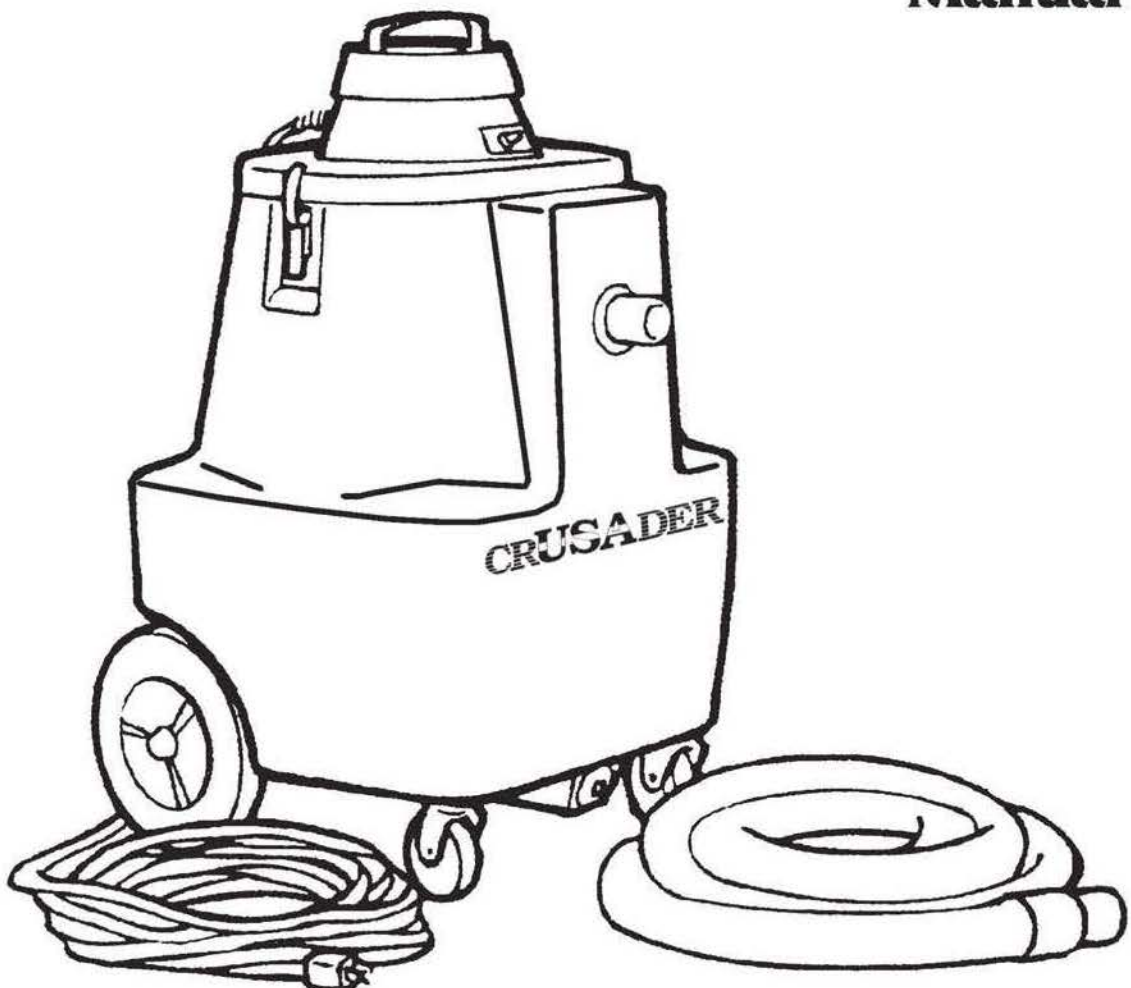


CRUSADER

MADE WITH PRIDE IN AMERICA

Wet / Dry Vacuum Premium and Utility Lines

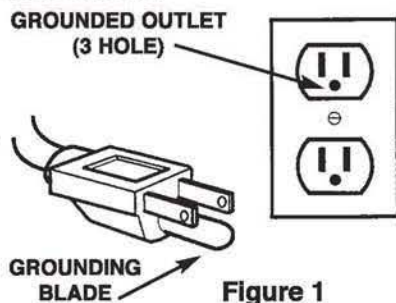
**Operator and Parts
Manual**



SET-UP and OPERATION

1. Carefully unpack and inspect your vacuum for shipping damage. Each unit is tested and thoroughly inspected before shipment, and any damage is the responsibility of the delivering carrier. If you do find damage, notify the delivering carrier IMMEDIATELY.
2. Install the float and float cage to the head assembly (premium line only). When installing float, make sure the weighted bolt in the float faces away from the vacuum head. Remove the nut from the tensioning screw on the float cage. The float cage will now snap onto the bottom of the head assembly. Thread the nut onto the tension screw and tighten until the float cage is firmly attached to the vacuum head.

3. Plug the Power Cord into a grounded (earthed) 120 volt outlet. See Figure 1.



WARNING!!! TO AVOID SERIOUS PERSONAL INJURY: Do not expose to rain. Store indoors. Disconnect power if machine is left unattended. Plug into grounded outlets only. Do not use an adapter or remove ground pin on plug. Do not use if cord is damaged. Disconnect power before servicing. Electrical service must be performed by an authorized service station or electrician. Do not use machine to recover hazardous or flammable materials. Do not use where explosive vapors or dust are present in the air. Do not allow machine to freeze.

4. Handle Installation - 15-gallon tank only. Install handle to the tank with the bolts and washers provided. Remove bolts and washers from handle and slide handle into tube brackets located between the rear wheels on the tank. Secure with the two bolts and washers provided.
5. For maximum filtering efficiency when dry vacuuming, always use disposable paper filters in addition to the cloth wet/dry filter bag. Disposable paper filter bags slide over the intake elbow. For wet vacuuming, remove the paper filter bag.
6. Place the vacuum head on top of the tank and secure it using the clamps on either side of the tank.
7. Attach the swivel cuff end of the hose to the intake on the front of the tank.
8. Check the drain plug located on the lower front of the tank. Make sure this plug is secure. If it is loose, tighten it by rotating locking handle clockwise.

ROUTINE MAINTENANCE:

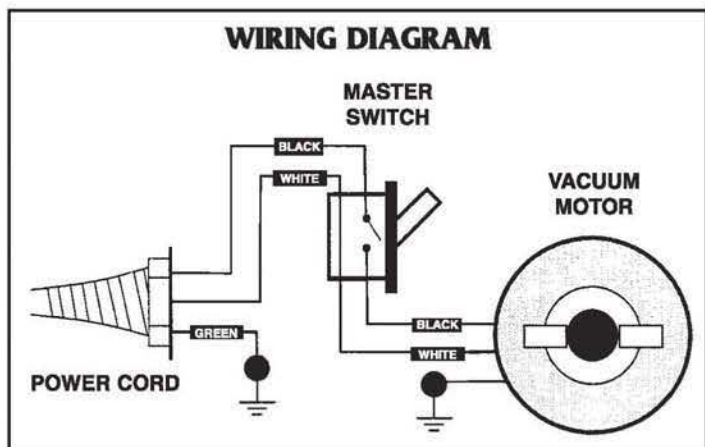
1. Clean the cloth filter bag frequently by shaking dust and debris from it. The filter bag can be washed out using a mild soap and water. Using disposable paper bags will help keep the filter bag clean.

WARNING!!! To avoid serious personal injury, never clean the cloth filter bag using any flammable chemicals. Fumes from the cleaning chemicals may cause an explosion inside the vacuum.

2. There is a plastic tubular screen and a foam filter on the float assembly. This keeps debris from entering during wet pickup and damaging the vacuum motor. Periodically remove the filter assembly and clean the screen and foam filter for top performance. Be sure to install the filter assembly with the foam filter, screen and float before using the vacuum again.
3. If water gets drawn into the vacuum head, turn the power off immediately. Remove the head assembly from the tank and place it on the floor. Turn on the power for three minutes to blow any liquid out of the vacuum motor.

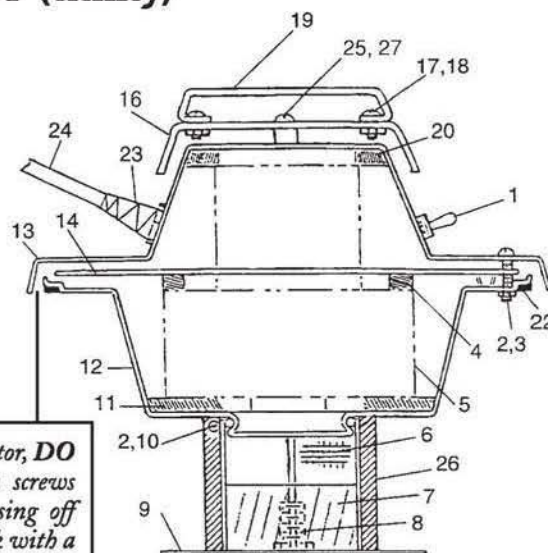
IMPORTANT: If you are vacuuming up liquids which may cause foaming, be sure to use a quality defoamer chemical. Foam will not shut off the float and will be drawn into the vacuum motor. Damage due to foam WILL NOT BE COVERED BY WARRANTY.

4. If vacuum performance decreases during operation, turn off power, remove the head assembly from the tank and inspect the intake elbow for blockage. If the intake area is open, check the hose for blockage or damage.
5. Empty the tank after each use and rinse it to prevent odor build-up.



VACUUM HEAD PARTS LIST (Utility)

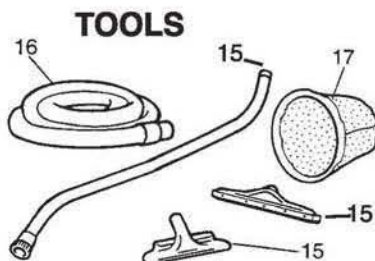
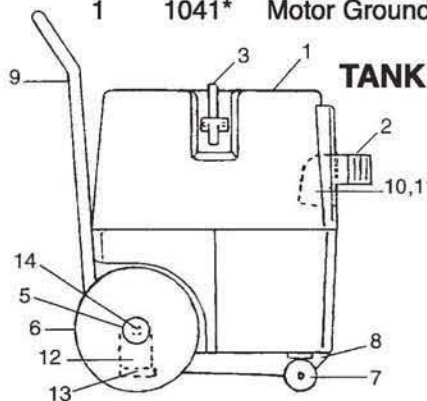
ITEM	QTY.	PART #	DESCRIPTION
1	1	2107	Toggle Switch
2	7	1009	Lock Nut, Stainless Steel
3	6	1010	Machine Screw, Stainless Steel
4	1	2042	Gasket 850, 1050, 1050-cc
	1	2152	Gasket M1300
	1	2041	Gasket M1200
5	1	2050	Motor Vac (850)
		2051	Motor Vac (1050) 2051EM (1050-cc)
		2052	Motor Vac (1200)
		2055	Motor Vac (1300)
	1	2053	Brush Carbon (850, 1050, 1200) 2 piece set
	1	2055-1	Brush, Carbon (1300) 2 piece set
6	1	2019	Plastic Screen
7	1	2014	Float
8	1	1011	Float Bolt
9	1	2016	Float Cage
10	1	1007	Machine Screw Stainless Steel
11	1	2057	Gasket 850, 1050, 1050-cc
	1	2040	Gasket M1300
	1	2042	Gasket M1200
12	1	2025	Bottom Spinning
13	1	2323	Outside Spinning
14	1	2024	Motor Spinning (850, 1050) (1050-cc)
	1	2024A	Motor Spinning (1300)
	1	2024B	Motor Spinning (1200)
16	1	2120	Top Spinning
17	2	1004	1/4" Screw
18	2	1005	1/4" Nut
19	1	2121	Top Handle
20	1	2041	Top Gasket (1300)
	1	2043	Top Gasket (850, 1050)
	1	2064	Top Gasket (1050-cc, 1200)
22	1	2039	Gasket
23	1	2028	Strain Relief and Nut
24	1	2029	35 Foot Power Cord
25	3	1022	Tapping Screw, 1" (850)
	3	1016	Tapping Screw, 1 1/4" (1050)
	3	1013	Tapping Screw, 1 1/2" (1200, 1300)
26	1	4081	Foam Filter
27	3	1034	Spacer 3/8" (850, 1200, 1300) (1050-cc)
	3	1035	Spacer 5/8" (1050, 1200, 1300) (1050-cc)
			* Not Shown
	1	2018*	Bag Ring (not shown)
	1	2141*	Switch Decal (not shown)
	1	1014*	Female Terminal (not shown)
	1	1038*	Ground Lead Tapping Screw (not shown)
	1	1041*	Motor Ground Lead (not shown)



When changing motor, **DO NOT** over-tighten screws to the point of closing off the air space. Check with a piece of wire or paper clip to make sure there is an opening.

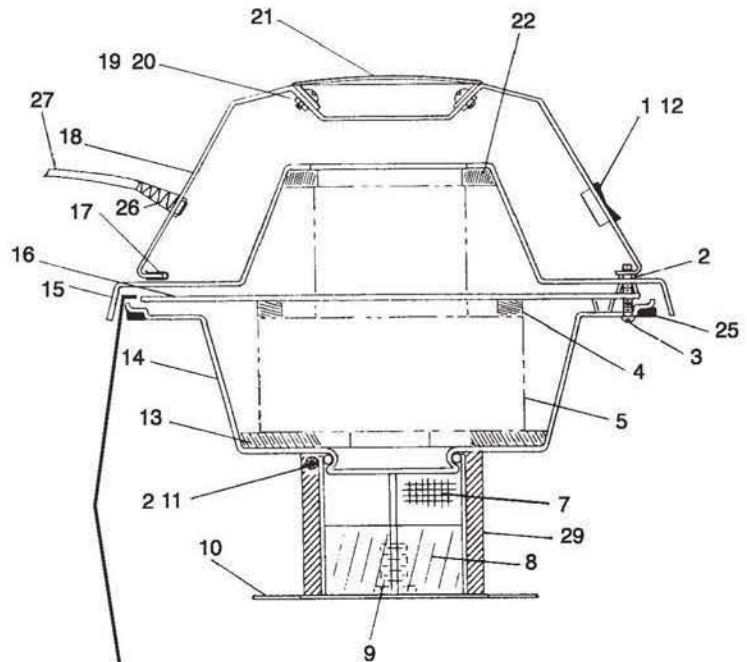
TANK AND TOOLS PARTS LIST

ITEM	QTY.	PART #	DESCRIPTION
1	1	2015	Tank, 15 Gallon
	1	2010	Tank, 10 Gallon
	1	2005	Tank, 5 Gallon
2	1	2007	Intake
3	2	2006	Latch
5	2	2004	Hub Cap
6	2	2001	Wheel, 8" Gray
	2	2001A	Wheel HD
7	2	2002	Caster
	2	2002A	Caster HD
8	1	2020	Drain Plug
	1	2220	T-Drain Plug
9	1	4016A	Handle
10	1	2008	Deflector Elbow
11	1	2009	Intake Gasket
12	2	2049	Handle Bracket
13	2	1052	Screw, 3/8 - 16 x 1"
14	1	2056	Axle, 15 Gallon Tank
	1	2003	Axle, 10/5 Gallon Tank
15	1	4020	Tool Kit
	1	4003	Wand
	1	4001	Tool, Rug 11"
	1	4000	Squeegee, 14" Push/Pull
	1	4002*	Hand Tool (not shown)
16	1	4010	Hose, 1-1/2" x 10 with Swivel Cuff
17	1	4040	Cloth Filter Bag
	1	4043	Nylon Bag
	1	4049	Coated Bag
	1	4014	Pleated Bag
	1	4013*	Paper Filter Bag (not shown)

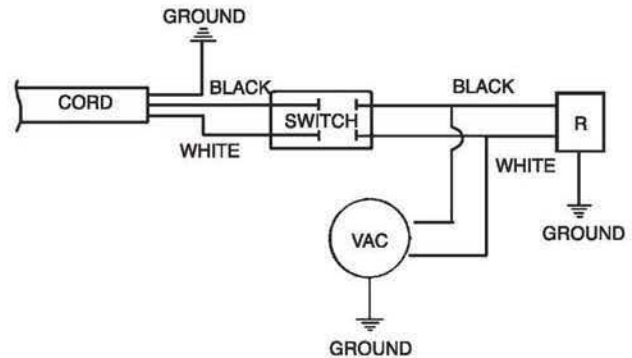


VACUUM HEAD PARTS LIST (premium)

ITEM	QTY.	PART #	DESCRIPTION
1	1	2026	Rocker Switch
2	4	1009	Stainless Steel Lock Nut
3	6	1007	Stainless Steel Machine Screw
4	1	2042	Gasket 5085-5105
	1	2152	Gasket 7130
	1	2041	Gasket 5120
5	1	2050	5-085 Vac Motor
		2051	5-105 Vac Motor
		2052	5-120 Vac Motor
		2055	7-130 Vac Motor
7	1	2019	Plastic Screen
8	1	2014	Float
9	1	1011	Float Bolt
10	1	2016	Float Cage
11	1	1007	Stainless Steel Machine Screw
12	1	2027	Powerhead Recpt.
13	1	2057	Gasket 5085-5105
	1	2040	Gasket 7130
	1	2042	Gasket 5-120
14	1	2025	Bottom Spinning
15	1	2023	Outside Spinning
16	1	2024	Motor Spinning - 5085, 5105
	1	2024A	Motor Spinning - 7130
	1	2024B	Motor Spinning - 5120
17	3	1006	Speed Nut
18	1	2022	Top Spinning
19	2	1004	1/4" Screw
20	2	1005	1/4" Nut
21	1	2021	Top Handle
22	1	2043	Top Gasket 5085-5105
	1	2064	Top Gasket 5120
	1	2041	Top Gasket 7130
23	2	2036	Groud Clip N/S
24	2	2037	3M Splicer N/S
25	1	2039	Gasket
26	1	2028	Strain Relief and Nut
27	1	2029	35 Foot Power Cord
29	1	4081	Foam Filter



When changing motor, DO NOT over-tighten screws to the point of closing off the air space. Check with a piece of wire or paper clip to make sure there is an opening.



LIMITED WARRANTY

CRUSADER warrants the original purchaser/user that this product is free from defects in workmanship and materials under normal use and service for a period of one year from date of purchase. In addition, **CRUSADER** will, at its option, honor labor warranty claims for 90 days from date of sale, provided such claims are submitted through and approved by factory authorized repair stations.

CRUSADER will, at its option, repair or replace without charge, except for transportation costs, parts that fall under normal use and service when operated and maintained in accordance with the applicable operation and instruction manuals.

This warranty does not apply to normal wear, or to items whose life is dependent on their use and care, such as the cord, switch, rubber parts, electrical motor components, or the fan. All warranted items become the sole property of **CRUSADER** or its original manufacturer, whichever the case may be.

This limited warranty is in lieu of all other warranties, expressed or implied, and releases **CRUSADER** from all other obligations and liabilities. It is applicable only in the U.S.A. and Canada, and is extended only to the original user/purchaser of this product. **CRUSADER** is not responsible for costs or repairs performed by persons other than those specifically authorized by **CRUSADER**. This warranty does not apply to damage from transportation, alterations by unauthorized persons, misuse or abuse of the equipment, use of non-compatible chemicals, or damage to property, or loss of income due to malfunctions of this product.

The polyethylene shell is warranted for 1 year under normal use and conditions.

CRUSADER
MADE WITH PRIDE IN AMERICA
CRUSADER MFG., INC.

517 1st Street
Farmington, MN 55024
(651) 456-9100 • Fax: (651) 456-9191
(800) 597-3336 • Fax: (800) 998-7311
E-mail: sales@crusadermfg.com
Website: www.crusadermfg.com