

INSTALLATION INSTRUCTIONS

R5 XD Nerf Step Bars

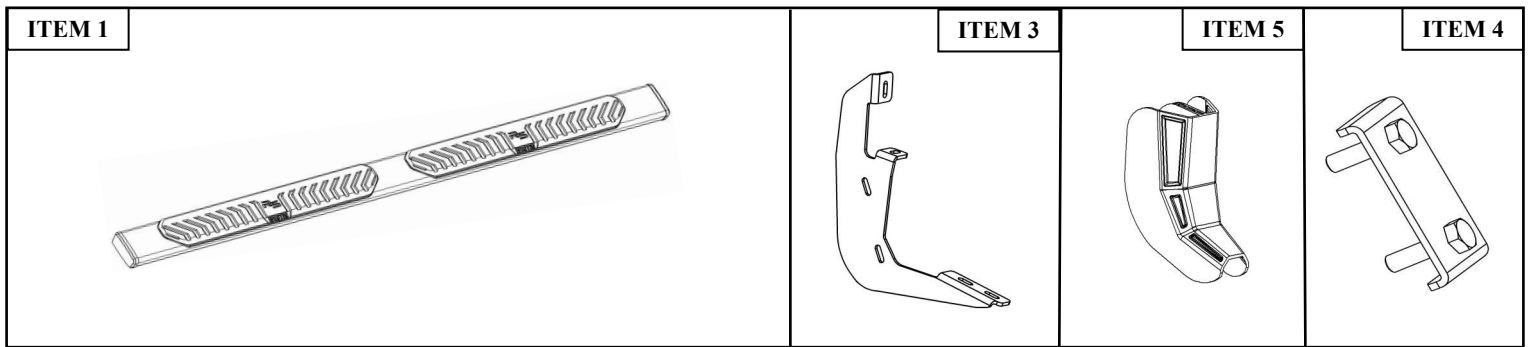


APPLICATION:
Chevrolet/GMC Silverado/Sierra 1500 Crew Cab 2019-2020;
2500/3500 Crew Cab 2020

PART NUMBER:
28-521270, 28-521275

ITEM	QUANTITY	DESCRIPTION	TOOLS NEEDED
1	1	DRIVER SIDE STEP BAR	10MM SOCKET
2	1	PASSENGER SIDE STEP BAR	13MM SOCKET
3	6	MOUNT BRACKET	RATCHET
4	6	ADAPTER PLATE (ONLY FOR 28-521270)	TORQUE WRENCH
5	6	PLASTIC BRACKET COVER	
6	12	M6 HEX HEAD CAP SCREW (YELLOW ZINC)	
7	24	M6 FLAT WASHER (YELLOW ZINC)	
8	12	M6 NYLOCK NUT (YELLOW ZINC)	
9	12	M8 HEX HEAD CAP SCREW (BLACK SEMS HARDWARE)	
10	12	M8 SPLIT LOCK WASHER (BLACK SEMS HARDWARE)	
11	12	M8 FLAT WASHER (BLACK SEMS HARDWARE)	
12	12	M8 HEX NUT (BLACK ZINC FOR 28-521270; YELLOW ZINC FOR 28-521275)	
13	12	M8 SPLIT LOCK WASHER (BLACK ZINC FOR 28-521270; YELLOW ZINC FOR 28-521275)	
14	12	M8 FLAT WASHER (BLACK ZINC FOR 28-521270; YELLOW ZINC FOR 28-521275)	
15	12	M8 SQUARE HEAD BOLT (ONLY FOR 28-521275)	

ANTI-SEIZE LUBRICANT MUST BE USED ON ALL STAINLESS STEEL FASTENERS TO PREVENT THREAD DAMAGE AND GALLING



PROCEDURE

1. Remove contents from box, verify if all parts listed are present and free from damage. Carefully read and understand all instructions before attempting installation.
Failure to identify damage before installation could lead to a rejection of any claim.

2. Starting on the driver side, remove the rubber plugs located on the rocker panel at each mounting location. See **Figure 1**.
3. **For models with threaded holes:** At each bracket mounting location on the rocker panel there should be a welded factory nut.
4. Locate (1) Mounting Bracket (Item 3) and loosely secure it to the rocker panel using the provided hardware: (2) M8 hex head bolt, (2) M8 flat washer, and (2) M8 lock washer. See **Figure 2**. Repeat for all remaining bracket mounting locations.



Figure 1

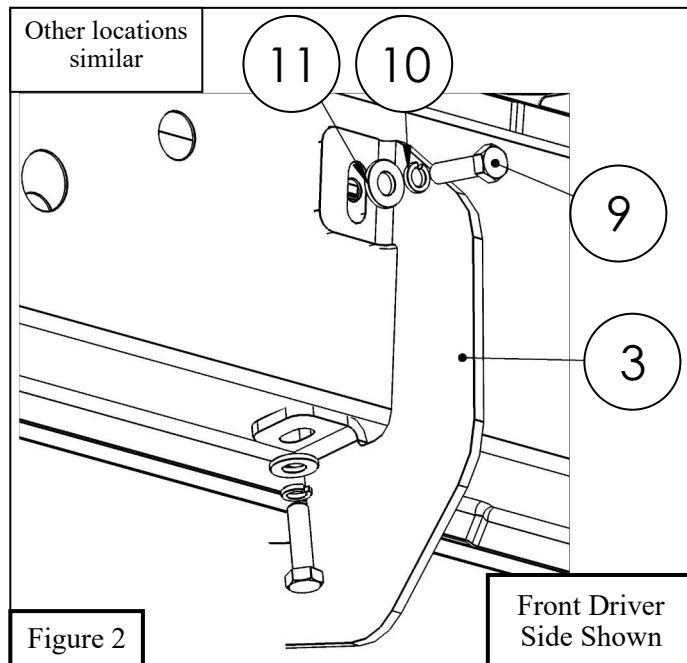


Figure 2

5. Locate (1) plastic bracket cover (Item 6) and loosely secure it to the (6) brackets using the provided hardware: (2) M6 hex head bolts, (4) M6 flat washers, and (2) M6 nylon lock nuts. Repeat for every bracket. See **Figure 3**.

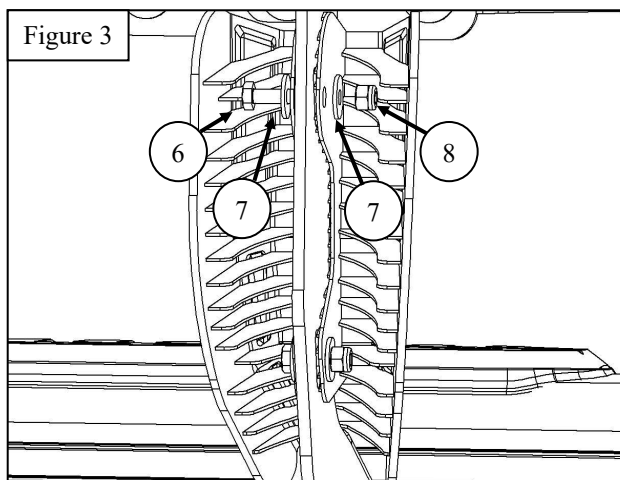
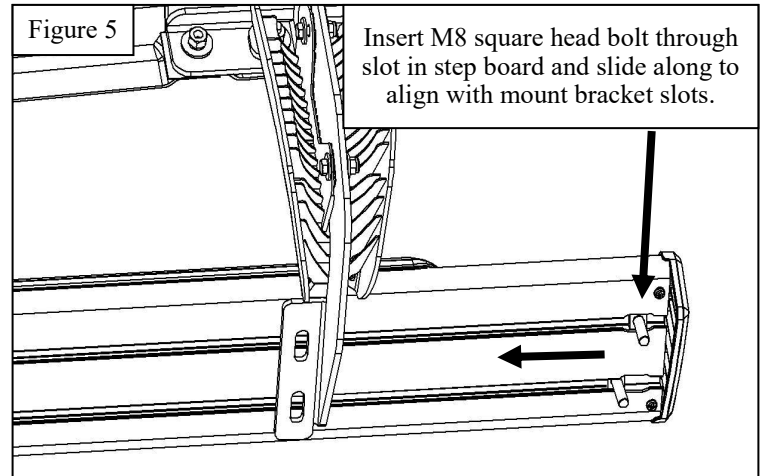
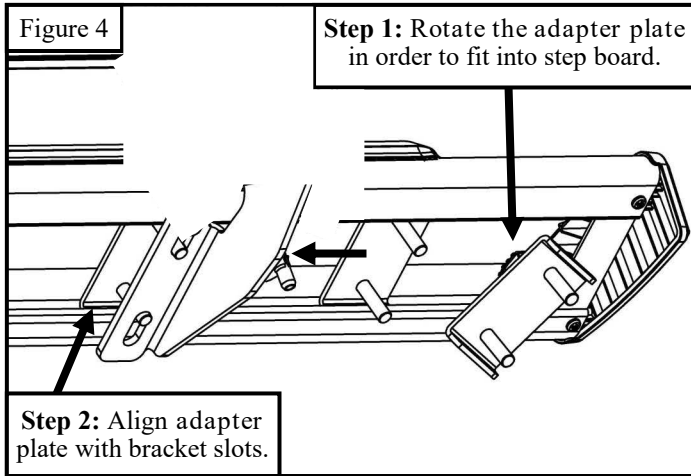
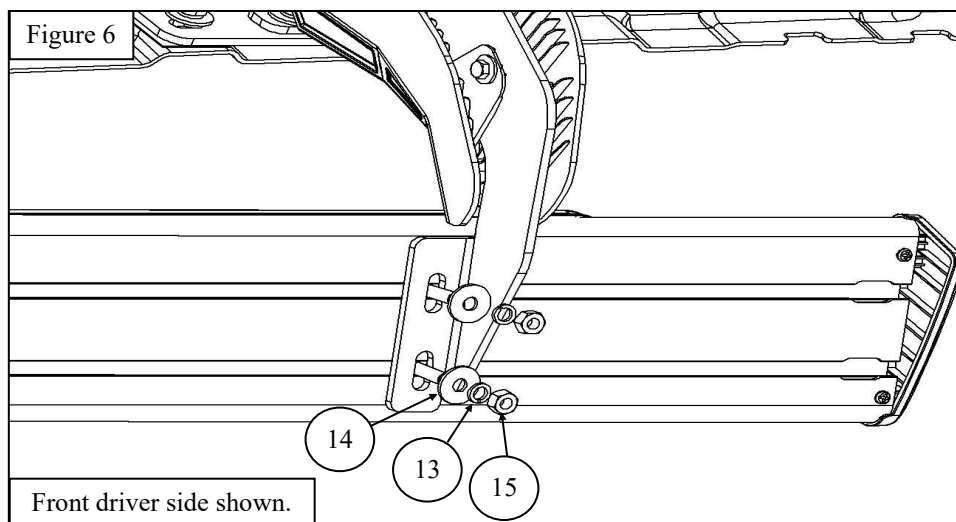


Figure 3

6. **For Part Numbers 28-521275:** Locate (1) driver side step board (Item 1) and (6) M8 square head bolts (Item 17). Slide the M8 square head bolts through the slots underneath the step board and align with the previously installed mount brackets. Repeat for passenger side. See **Figure 4**.
7. **For Part Numbers 28-521270:** Locate (1) driver side step board (Item 1) and (3) adapter plates (Item 5). Insert the adapter plates onto the step board and align with the previously installed mount brackets. Repeat for passenger side. See **Figure 5**.



8. Loosely secure the step board onto each mount bracket using (2) M8 hex nuts, (2) M8 split lock washers, and (2) M8 flat washers (Items 11 - 13). See **Figure 6**.
9. Adjust and align as necessary the mount brackets, step boards, and bracket covers and then tighten M8 hardware to 15-17 ft-lbs and M6 to 5-7 ft-lbs.



INSTALLATION COMPLETE



CARE INSTRUCTIONS

- REGULAR WAXING IS RECOMMENDED. DO NOT USE ANY TYPE OF POLISH OR WAX THAT MAY CONTAIN ABRASIVES.
- STAINLESS STEEL PRODUCTS CAN BE CLEANED WITH MILD SOAP AND WATER. STAINLESS STEEL POLISH SHOULD BE USED TO POLISH SMALL SCRATCHES.
- GLOSS BLACK FINISHES SHOULD BE CLEANED WITH MILD SOAP AND WATER.



Westin Automotive Products, Inc.
320 W. Covina Blvd
San Dimas, Ca. 91773

Thank you for choosing Westin products
for additional installation assistance please call
Customer Service (800) 793-7846

www.westinautomotive.com



WARNING



Failure to follow these instructions could lead to death, personal injury, and / or property damage.

FASTENERS:

All Westin supplied fasteners must be utilized and installed in accordance with the installation instructions and apply torque to the specifications as defined. **DOUBLE CHECK ALL FASTENERS BEFORE INITIAL USE, AND PERIODICALLY IN THE FUTURE TO ENSURE PROPER FUNCTION AND SAFETY.**

DRILLING:

Most Westin products do not require drilling for installation. If drilling is defined as required, use caution when drilling a vehicle. **FAILURE TO REVIEW AN AREA TO BE DRILLED MAY RESULT IN PERSONAL INJURY AND/OR INJURY TO OTHERS AS WELL AS VEHICLE DAMAGE.**

EYE PROTECTION:

ALWAYS WEAR SAFETY GLASSES OR GOGGLES DURING THE INSTALLATION PROCESS TO AVOID PERSONAL INJURY.

MAXIMUM TOWING/CARRYING CAPACITY: (if applicable)

The Westin Receiver Hitches will have a visible tow rating label affixed directly on the product. User should never exceed the vehicle manufacturers maximum tow and weight rating regardless of the capacity of the hitch. **FAILURE TO FOLLOW THESE GUIDELINES WILL VOID THE WESTIN WARRANTY AND MAY RESULT IN PERSONAL INJURY AND/OR INJURY TO OTHERS AS WELL AS VEHICLE DAMAGE.**

FOR CALIFORNIA RESIDENTS ONLY-PROP 65 WARNING:

Some products may contain chemicals such as DEHP, which can cause cancer, birth defects or other reproductive harm. For more info go to www.p65warnings.ca.gov



Westin Automotive Products, Inc.
320 W. Covina Blvd
San Dimas, Ca. 91773