



INSTALLATION INSTRUCTIONS

PRO TRAXX 4 & 5 OVAL TUBE STEP BAR

APPLICATION:

1999-2016 Ford F250/350/450/550 Super / Crew Cab

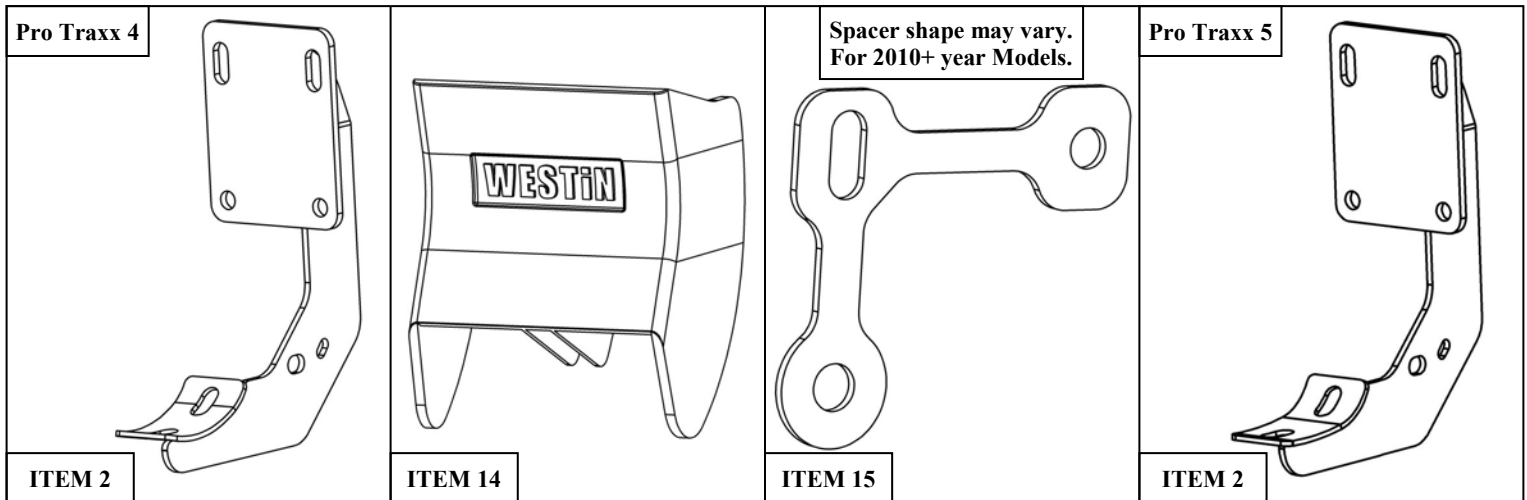
AUTOMOTIVE PRODUCTS,

PART NUMBER:

21-21310, 21-21315, 21-21330, 21-21335, 21-51310, 21-51315, 21-51330, 21-51335

ITEM	QUANTITY	DESCRIPTION	TOOLS NEEDED
1	2	STEP BARS	17MM SOCKET
2	6	MOUNTING BRACKETS	17MM WRENCH
3	24	M10 HEX CAP SCREW (YELLOW ZINC)	ALLEN KEY
4	36	M10 FLAT WASHER (YELLOW ZINC)	RATCHET
5	24	M10 SPRING LOCK WASHER (YELLOW ZINC)	TORQUE WRENCH
6	12	M10 HEX NUT (YELLOW ZINC)	
7	12	M10 NUT CLIPS (YELLOW ZINC)	
8	12	M10 BUTTON HEAD SOCKET CAP SCREW (BLACK ZINC)	
9	12	M10 INTERNAL TOOTHED LOCK WASHER (BLACK ZINC)	
10	12	M10 FLAT WASHER (BLACK ZINC)	
11	12	M6 HEX HEAD CAP SCREW (BLACK ZINC)	
12	24	M6 FLAT WASHER (BLACK ZINC)	
13	12	M6 NYLON NUT (BLACK ZINC)	
14	6	PLASTIC BRACKET COVER	
15	2	FRONT MOUNTING BRACKET SPACER	

ANTI-SEIZE LUBRICANT MUST BE USED ON ALL STAINLESS STEEL FASTENERS TO PREVENT THREAD DAMAGE AND GALLING



PROCEDURE

1. Remove contents from box, verify if all parts listed are present and free from damage.
Carefully read and understand all instructions before attempting installation.
Failure to identify damage before installation could lead to a rejection of any claim.



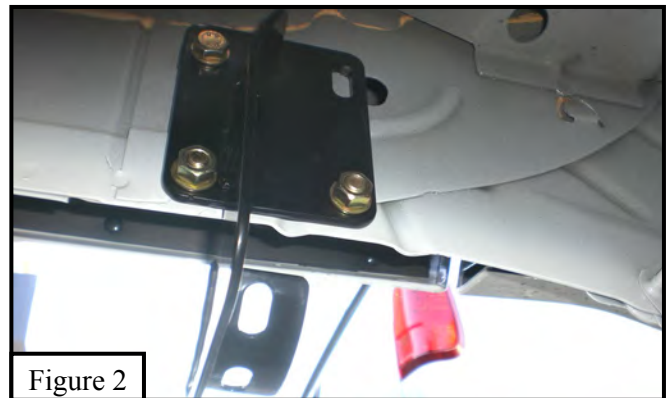
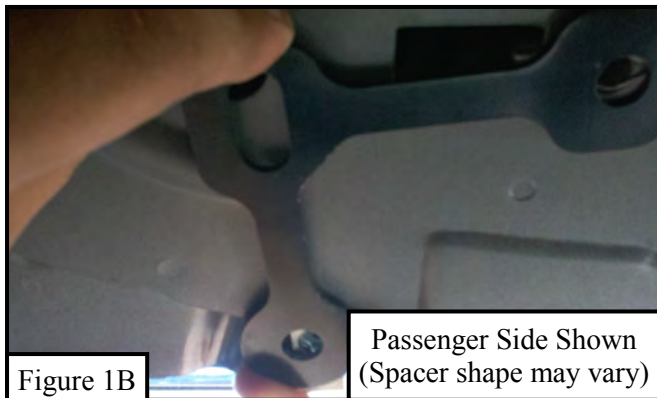
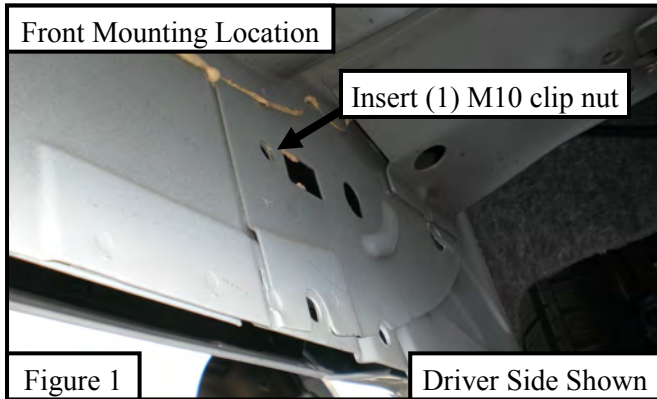
Westin Automotive Products, Inc.
320 W. Covina Blvd
San Dimas, Ca. 91773

2. Starting at the drivers side, locate the front mounting point on the rocker panel.

NOTE: ON SOME VEHICLES THE MOUNTING HOLES DO NOT LINE UP FROM THE FACTORY IF THIS IS THE CASE DRILL OUT THE HOLES USING A 7/16" DRILL BIT. SEE FIGURE 1A.

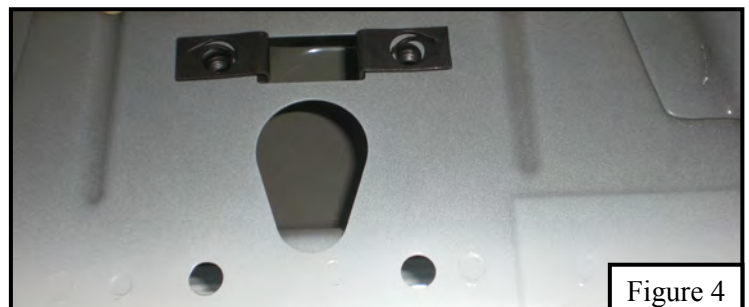
Insert (1) M10 nut clip (Item 7) onto the small circular hole (**Figure 1**) and attach (1) mounting bracket (Item 2) to the nutclip using (1) M10 hex head bolt (Item 3), (1) M10 lock washer (Item 5), and (1) M10 flat washer (Item 4). Attach the mounting bracket to the existing holes in the pinch weld using (2) M10 hex head bolts (Item 3), (4) M10 flat washers (Item 4), (2) M10 lock washers (Item 5), and (2) M10 hex nuts (Item 6) (**Figure 2**).

Note: For 2010– up model years place (1) front mounting bracket spacer (Item 11) in between the rocker panel and the front mounting bracket before attaching. See Figure 1B. Do not fully tighten at this time.

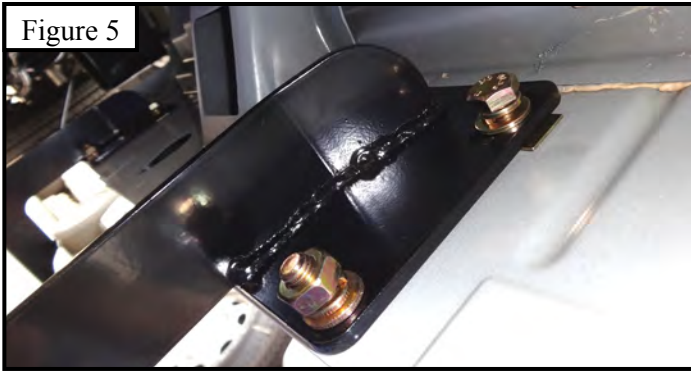


3. Locate the second mounting point on the rocker panel (**Figure 3**), insert (2) M10 nut clips (Item 7) onto the small circular holes (**Figure 4**). Attach the mounting bracket to the nut clips using (2) M10 hex head bolts (Item 3), (2) M10 lock washers (Item 5), and (2) M10 flat washers (Item 4). Attach the mounting bracket to the existing holes in the pinch weld using (2) M10 hex head bolts (Item 3), (4) M10 flat washers (Item 4), (2) M10 lock washers (Item 5), and (2) M10 hex nuts (Item 6) (**Figure 5**). *Do not fully tighten at this time.* Repeat step for the rear mounting brackets.

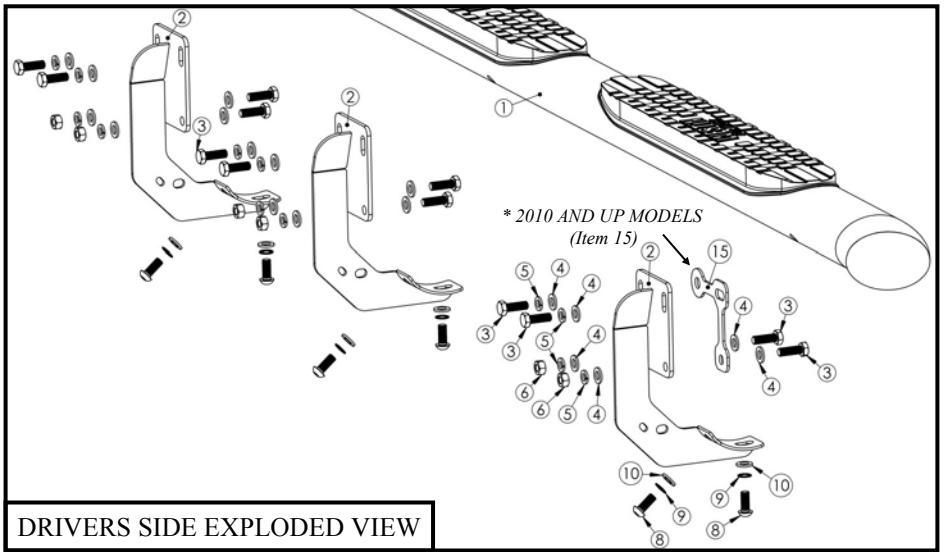
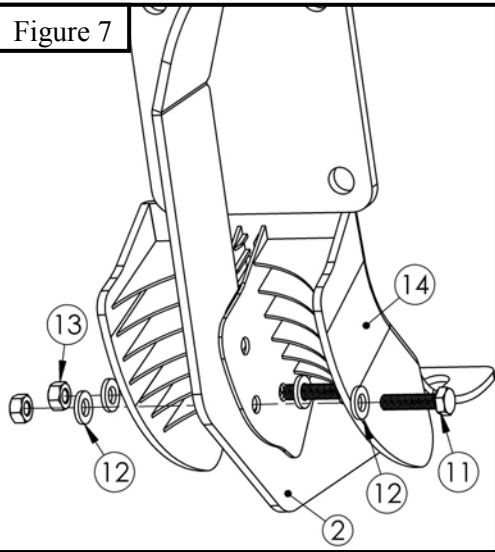
4. Locate (1) plastic bracket cover (Item 14) and loosely secure it to the (6) brackets using the provided hardware: (2) M6 hex head cap screws, (4) M6 flat washers, and (2) M6 nylon nuts. Repeat for every bracket. (**Figure 7**).



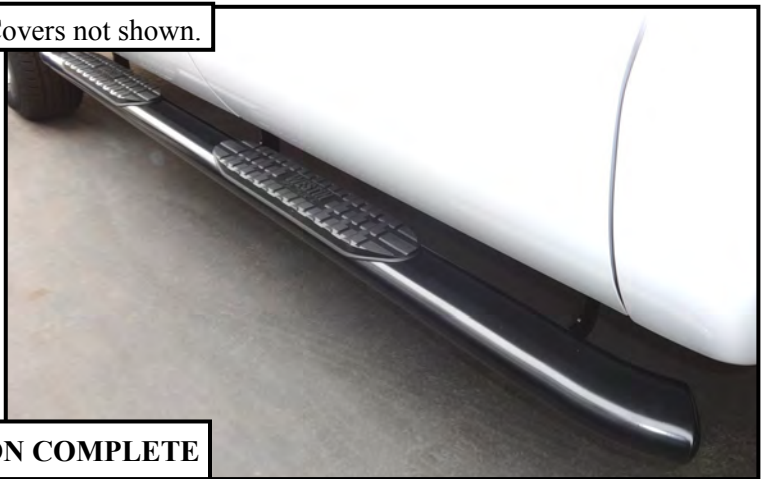
Westin Automotive Products, Inc.
320 W. Covina Blvd
San Dimas, Ca. 91773



5. Take the drivers side step bar (Item 1) and attach it to the mounting cradles using (6) M10 button head bolts (Item 8), (6) M10 internal tooth lock washers (Item 9), and (6) M10 flat washers (Item 10). **(Figure 6)** Do not fully tighten at this time.
6. Repeat **Steps 2-5** for passenger side.
7. Align and adjust step bars as needed then fully tighten all hardware at this time. Torque all M10 fasteners to 30-35 ft-lbs and M6 to 5-7 ft-lbs.



Plastic Bracket Covers not shown.



INSTALLATION COMPLETE

Care Instructions

- REGULAR WAXING IS RECOMMENDED. DO NOT USE ANY TYPE OF POLISH OR WAX THAT MAY CONTAIN ABRASIVES.
- STAINLESS STEEL PRODUCTS CAN BE CLEANED WITH MILD SOAP AND WATER. STAINLESS STEEL POLISH SHOULD BE USED TO POLISH SMALL SCRATCHES.
- GLOSS BLACK FINISHES SHOULD BE CLEANED WITH MILD SOAP AND WATER.



Westin Automotive Products, Inc.
320 W. Covina Blvd
San Dimas, Ca. 91773

Thank you for choosing Westin products
for additional installation assistance please call
Customer Service (800) 793-7846
www.westinautomotive.com



SIGNATURE OF QUALITY

AUTOMOTIVE PRODUCTS, INC.



WARNING



Failure to follow these instructions could lead to death, personal injury, and / or property damage.

FASTENERS:

All Westin supplied fasteners must be utilized and installed in accordance with the installation instructions and apply torque to the specifications as defined. **DOUBLE CHECK ALL FASTENERS BEFORE INITIAL USE, AND PERIODICALLY IN THE FUTURE TO ENSURE PROPER FUNCTION AND SAFETY.**

DRILLING:

Most Westin products do not require drilling for installation. If drilling is defined as required, use caution when drilling a vehicle. **FAILURE TO REVIEW AN AREA TO BE DRILLED MAY RESULT IN PERSONAL INJURY AND/OR INJURY TO OTHERS AS WELL AS VEHICLE DAMAGE.**

EYE PROTECTION:

ALWAYS WEAR SAFETY GLASSES OR GOGGLES DURING THE INSTALLATION PROCESS TO AVOID PERSONAL INJURY.

MAXIMUM TOWING/CARRYING CAPACITY:

The Westin Receiver Hitches will have a visible tow rating label affixed directly on the product. User should never exceed the vehicle manufacturers maximum tow and weight rating regardless of the capacity of the hitch. **FAILURE TO FOLLOW THESE GUIDELINES WILL VOID THE WESTIN WARRANTY AND MAY RESULT IN PERSONAL INJURY AND/OR INJURY TO OTHERS AS WELL AS VEHICLE DAMAGE.**



Westin Automotive Products, Inc.
320 W. Covina Blvd
San Dimas, Ca. 91773