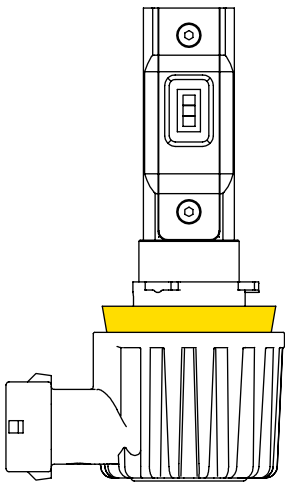


TINY MONSTER

LED PERFORMANCE BULBS



CONCEPT

OWNER'S MANUAL



2X LED BULBS



COOL WHITE



PLUG & PLAY



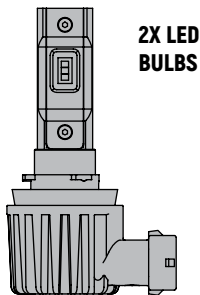
6,000 LUMENS

THANK YOU!

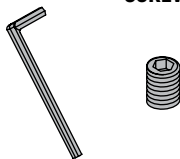
Thank you for purchasing ARC Lighting products. Read this instruction manual thoroughly for proper use of the product. After completing your installation, please keep this manual for future reference.

For additional product information and resources please visit www.arc.lighting/user-guide

PARTS



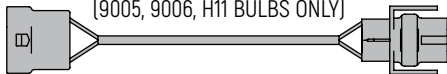
2X HEX KEYS 2X SET
SCREWS



(9005, 9006, 9012, H7,
H11, H10 BULBS ONLY)

OPTIONAL: EXTENSION HARNESS

(9005, 9006, H11 BULBS ONLY)



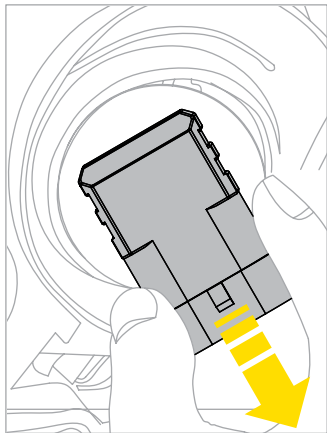
NOTES

- This product is a 12V bulb for vehicles. Do not install it in 24V or 48V vehicles.
- Handle the bulb only at its cool condition. Make sure not to touch the base of the LED bulb when it is turned on. The LED bulb can get very hot when operating, so extreme care should be taken.
- Be careful not to apply excessive force to the light emitting part. Also, prevent any type of oil or dirt from adhering to the product.
- Do not look directly at the operating lamp as it is extremely high intensity.

STEP 1

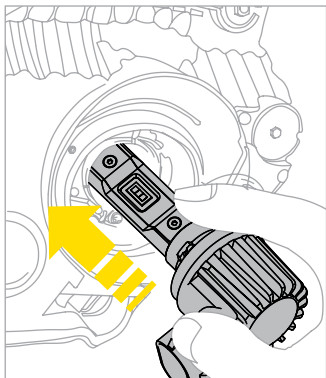
Access the rear of the headlight assembly for the bulb you are replacing. Locate and remove your factory bulb. Refer to the vehicle's installation manual for proper instructions to access the correct bulb.

Note: Some headlamps have rubber or plastic dust caps. Remove the dust cap to access the stock bulb.

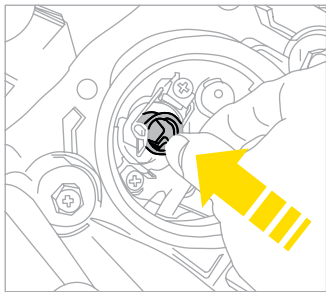
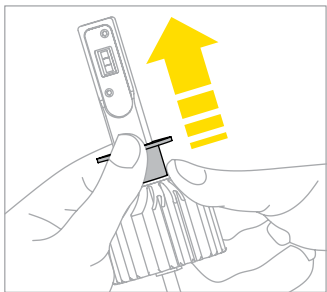


STEP 2

Install the bulbs into the headlight assembly. For most bulb types, use the same install steps as replacing the stock bulbs.

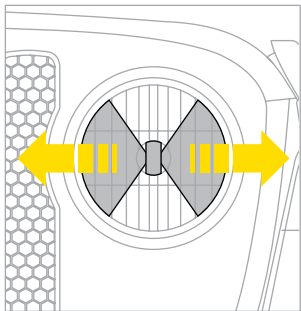


For bulbs H1/H3/P13W, the collar on the LED bulb needs to be removed before installation. First, place the collar into the headlight socket then insert the bulb inside the collar. Finally, turn the bulb clockwise to lock.



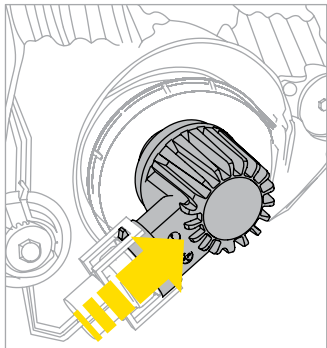
STEP 3

Check to make sure the position of the diodes (LED chips) are in a horizontal side to side orientation. (See bulb orientation instructions).
Note: If the bulb is tilted at an angle when installed on your vehicle, correct it by adjusting the bulb head. (See bulb adjustment instructions).



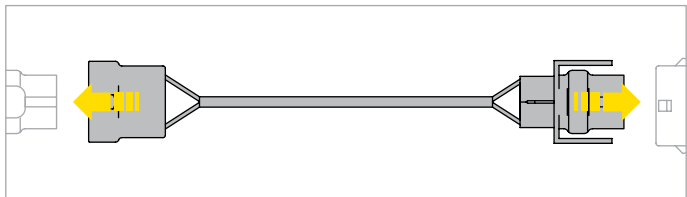
STEP 4

Insert the connectors of the LED bulb into the factory harness socket.



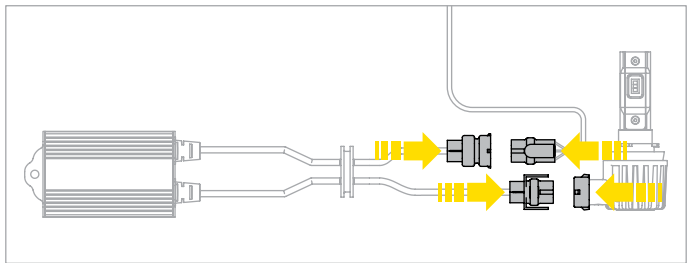
STEP 5

OPTIONAL: When the wire of the factory harness is not long enough, use the optional extension harness to connect the bulb and the factory harness together.



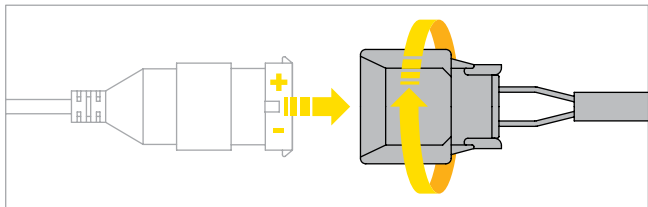
STEP 6

OPTIONAL: If you ordered additional Decoder Harnesses to correct power signals on certain vehicles, plug the Decoder Harness in to the factory socket first, then connect the LED bulb to the Decoder Harness module. (See Decoder Harness instructions for detailed steps).



STEP 7

OPTIONAL: LED bulbs are polarity sensitive. Please check the positive (+) and ground (-) signs before connecting the wires. If the bulb doesn't light up, disconnect the electrical connector and flip it 180°, then reinstall.



STEP 8

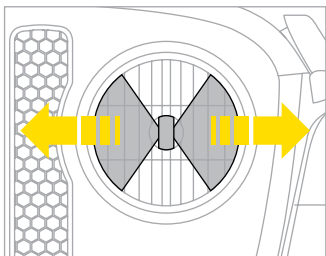
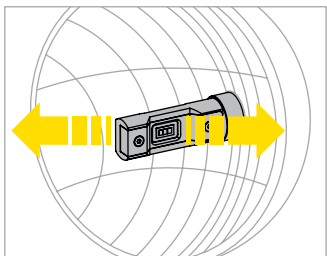
Tuck and secure all wiring. If your headlamps use dust caps, the driver box and wiring can be tucked into the headlamp and sealed inside using the dust cap.

STEP 9

As a result of replacing the bulb, the axis of the light may become misaligned. Confirm the alignment of your headlamps by following headlamp aiming procedures in your vehicle manual. Enjoy the modern LED appearance and increased output from your new Tiny Monster LED bulbs!

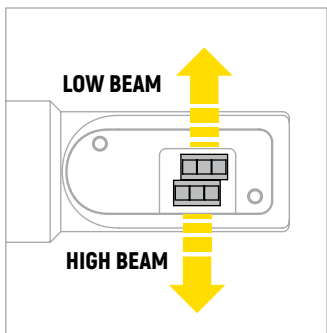
ORIENTATION

Check to make sure the position of the diodes (LED chips) are in a horizontal side-to-side orientation.



NOTE: Dual filament bulbs have two sets of LED chips. Ensure the chip alignment matches the illustration below.

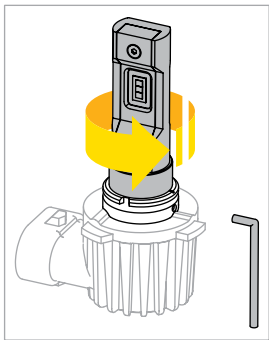
H13/9004/9007



ADJUSTMENT

H8/H9/H11/9005/9006/9012

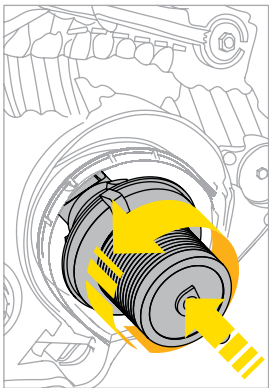
1. Observe the angle of the LED diodes and to the correct angle needed.
2. Locate the set screw on the LED bulb collar.
3. Use the hex wrench provided to loosen the set screw.
4. Rotate the collar to the required position to achieve correct installation alignment.
5. Tighten the set screw.



CAUTION: Do not forcibly pull the bulb head or rotate it in excess of 180°. Do not over-tighten the set screw.

H13

1. Observe the angle of the LED diodes and decide the correct angle for adjustment.
2. To adjust, push the bulb base inward with moderate force and turn the bulb counter-clockwise to the correct angle.
3. Don't perform these steps while the bulbs are turned on. Adjust only when the bulb is in cool condition otherwise it may damage the bulb collar.





TROUBLESHOOTING

1. Lights do not turn on:

If the bulb does not light up, disconnect the electrical connector and reverse it 180°, then reinstall.

2. Incorrect beam pattern:

If the beam pattern does not appear correct, or is skewed, carefully inspect the mounting and position of the bulb in the headlamp. In most cases, this is due to misalignment or a problem with rotation. Make sure the bulb is vertically aligned in the socket, and adjust the rotation if necessary.

3. Light flickering / lights turn on and off intermittently / bulb out error on dash:

If you experience flickering while the vehicle is running, or a bulb out error, you may need the decoder harness for your vehicles electrical system. Please contact us if the issue persists after the decoder harnesses are installed.

For more details please visit
www.arc.lighting/troubleshooting

WARRANTY

Terms of this Warranty

ARC Lighting warranties all products from defects in material and workmanship for (2) two years from the retail date of purchase. This warranty applies only to the original purchaser and is non transferable. Your original sales receipt will serve as proof of purchase for this warranty. Before credit can be issued on a warranty claim, proof of defect may be required. This can be determined at the time of the claim.

Exclusions of this Warranty

Not covered under this warranty is failure due to neglect, improper installation including any modifications, alterations, abuse, accident, weather related damage or by any type of impact.

Repair and Replacement

In the event that your part is found to be defective under the terms of this warranty, it is at the discretion of ARC Lighting to repair or replace the defective part. All repairs must be made under the direction of ARC Lighting. ARC Lighting is not responsible for any removal, installation, reinstallation, or transportation costs associated with the warranted claim.

Please submit any warranty claim at www.arc.lighting/warranty. It only takes a few minutes to complete and streamlines the process.

**TI
NY****MONSTER™ CONCEPT**

Our Tiny Monster bulbs pack scary power in slim, sleek designs. They're compact and powerful and packed with the latest LED technology.

LIGHT OUTPUT	6,000 LUMENS / KIT
COLOR TEMPERATURE	6500K
LEDS	MODULAR LED CHIPSET
POWER	18W / BULB
CURRENT	1.3A @ 13V DC / BULB
VOLTAGE	7.5 - 16V DC
WATERPROOF	IP67

FEATURES

- Powerful 6,000 lumen light output
- Precision optics designed for long range visibility and zero glare
- Compact integrated heat sink allows for worry free fitment with sufficient cooling
- Built in advanced temperature regulation provides dependable operation at full intensity
- Bulb head rotates 360° for optimal beam shape
- 2 Year Warranty



ARC LIGHTING
(888) 608-2220 | WWW.ARC.LIGHTING

