



# GATORBACK

## MUDFLAPS

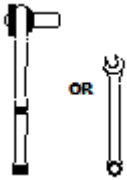
2021-C Tahoe/Suburban/Yukon/Yukon XL  
**Black Anodized Mud Flap Set, Front**  
**Mounting Diagram & Instructions**  
**Kit# GCAA206F**

### IMPORTANT:

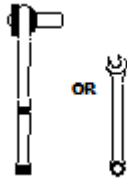
**Manufacturer is not responsible for negligent use of vehicle with mud flaps installed, including over-tightening of screws and bolts causing damage to vehicle or mud flaps.**



### TOOLS REQUIRED-



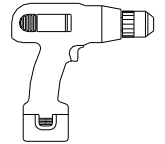
7/16" Open Wrench or  
Socket Wrench



1/4" Open Wrench or  
Socket Wrench



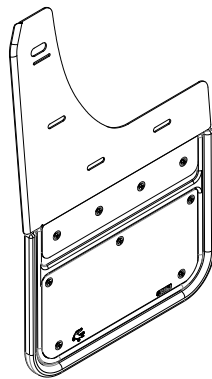
T15 Torx  
Bit



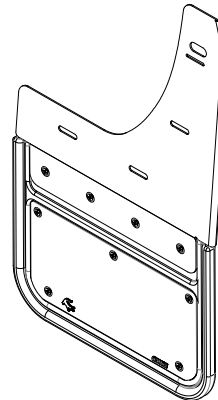
Electric or Rechargeable  
Drill

### FLAPS

(1) Flap Assy  
Front, DS

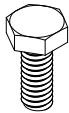


(1) Flap Assy  
Front, PS

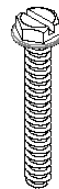


### PARTS BAG #770025

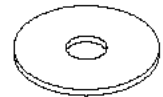
**a)** (2) Capscrew, Blk Ox.  
1/4"-20UNC x 5/8"  
Part #014071



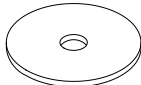
**b)** (6) Screw, Sht Mtl, Blk Ox.  
1/4" Hex Head #8-18 x 1.25"  
Part #016061



**c)** (2) Washer, Flat Blk Ox.  
0.281" x 1", 18g  
Part #018069



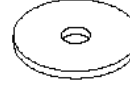
**d)** (6) Washer, Flat,  
0.203" x 1", 18g Blk Ox.  
Part #018070



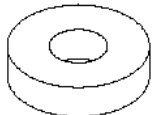
**e)** (2) Spacer, Nylon  
0.257" x 1/2" x 1/2"  
Part #054063



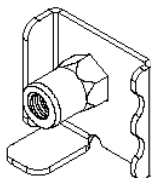
**f)** (6) Washer, Nylon  
0.203" x 0.885" x 0.62"  
Part #054080



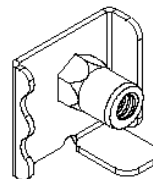
**g)** (2) Washer, Spacer  
7/16" x 1" x 0.25"  
Part # 054091



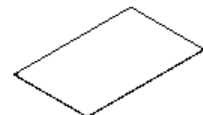
**h)** (1) Mount Clip, DS  
w/Reversed Clinch Nut  
Part #769308



**i)** (1) Mount Clip, PS  
w/Reversed Clinch Nut  
Part #769309

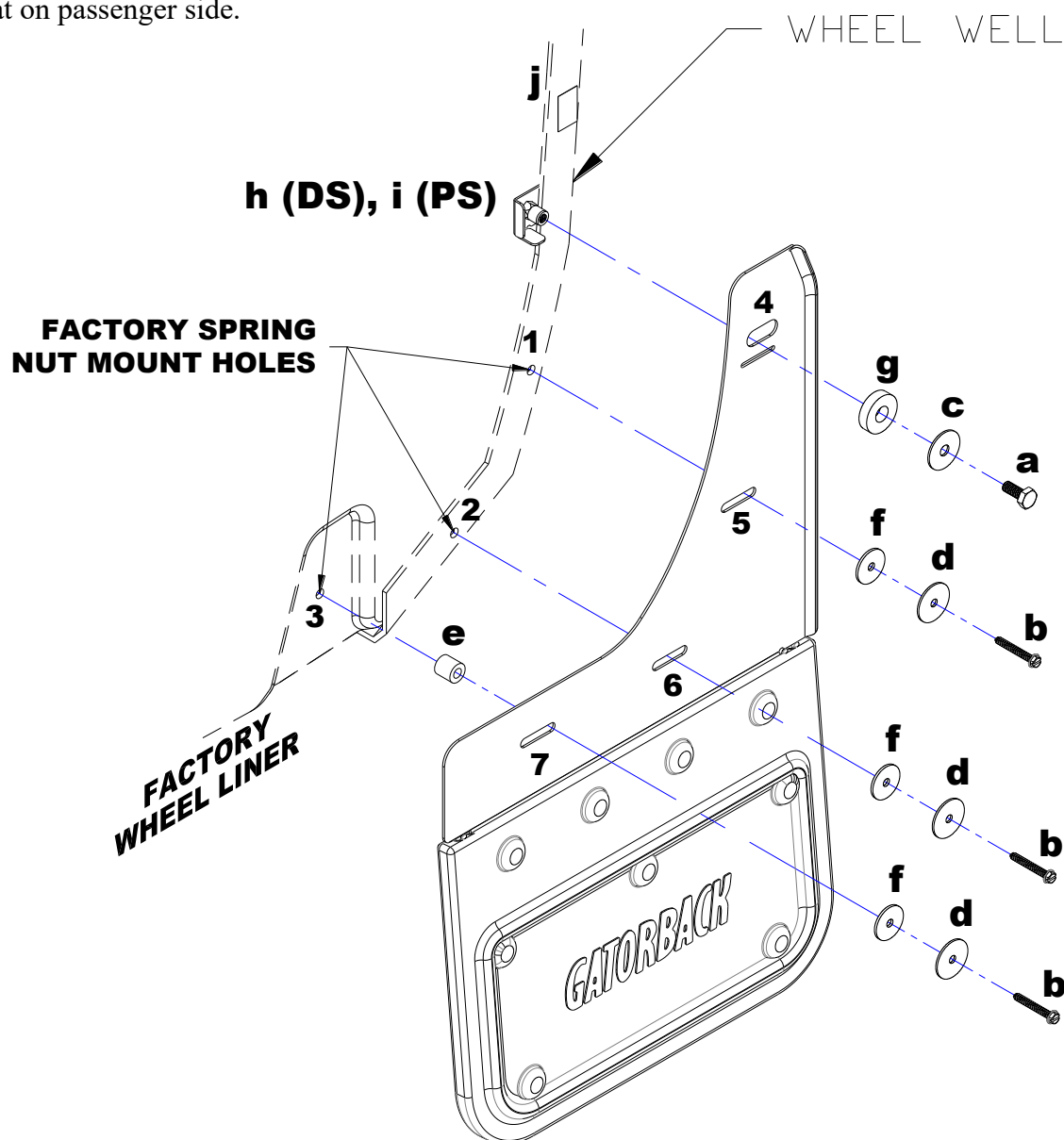


**j)** (2) Durashield Strip  
5/8" x 1"  
Part# 770020



## INSTALLATION *(For ease of installation it is suggested that the wheel be removed)*

1. Before you install your Mud Flap Set, see the diagram and parts list for all necessary parts. Start on the driver's side.
2. Remove and discard the factory screws from factory holes #1 to #3
3. Loosely install mount clip (h) on mud flap hole #4 using a cap screw (a), flat washer (c), and spacer washer (g)
4. Loosely secure mud flap hole #7 to factory hole #3 hole using a sheet metal screw (b) flat washer (d), and nylon washer (f) placing a nylon spacer (e) between the mud flap and the factory liner. (See Diagram)
5. Clean upper section of wheel well with alcohol to prepare for 3M Durashield strip (j). Hold the flap to the vehicle, lining up the top of the mud flap with the fender lip. Make a small mark on the place where the top of the mud flap meets the fender lip.
6. Install/center the 3M Durashield strip (j) where you have marked the wheel well.
7. Loosely secure mud flap clip (h) behind fender lip.
8. Loosely secure mud flap holes #5 & #6 to factory holes #1 & #2 using a sheet metal screw (b), flat washer (d), and nylon washer (f).
9. Using a bubble level or other levelling tool, ensure that the mud flap is level. Tighten fasteners
10. Repeat on passenger side.



Please check out our YouTube channel to see an install video for this application.





# GATORBACK

## MUDFLAPS

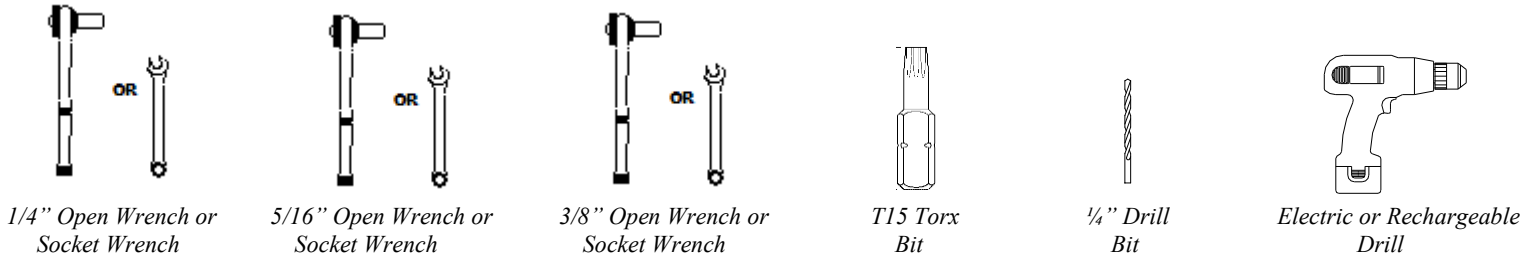
2021-2022 Tahoe/Suburban/Yukon/Yukon XL  
**Black Anodized Mud Flap Set, Rear**  
**Mounting Diagram & Instructions**  
 Kit# **GCAA206R**

### IMPORTANT:

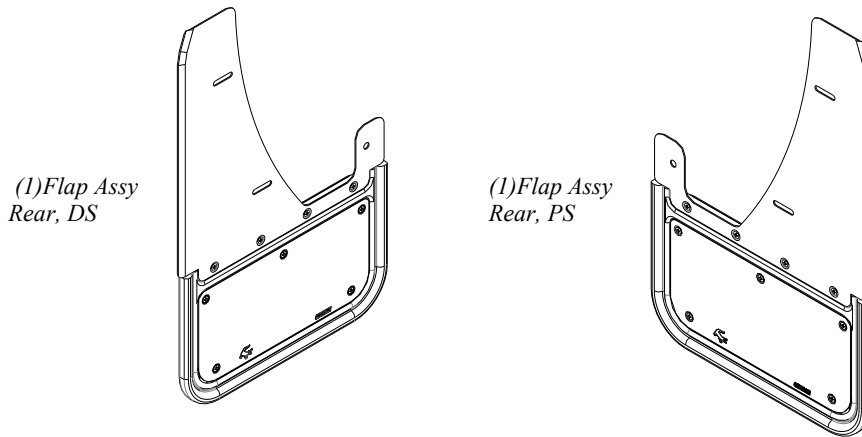
**Manufacturer is not responsible for negligent use of vehicle with mud flaps installed, including over-tightening of screws and bolts causing damage to vehicle or mud flaps.**



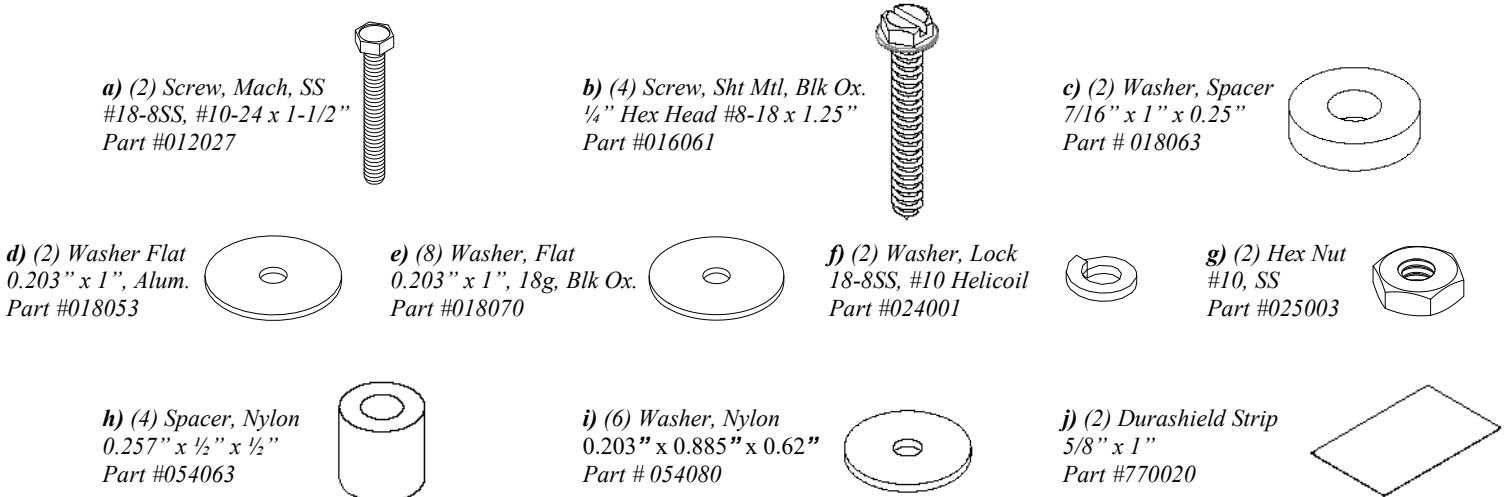
### TOOLS REQUIRED-



### FLAPS

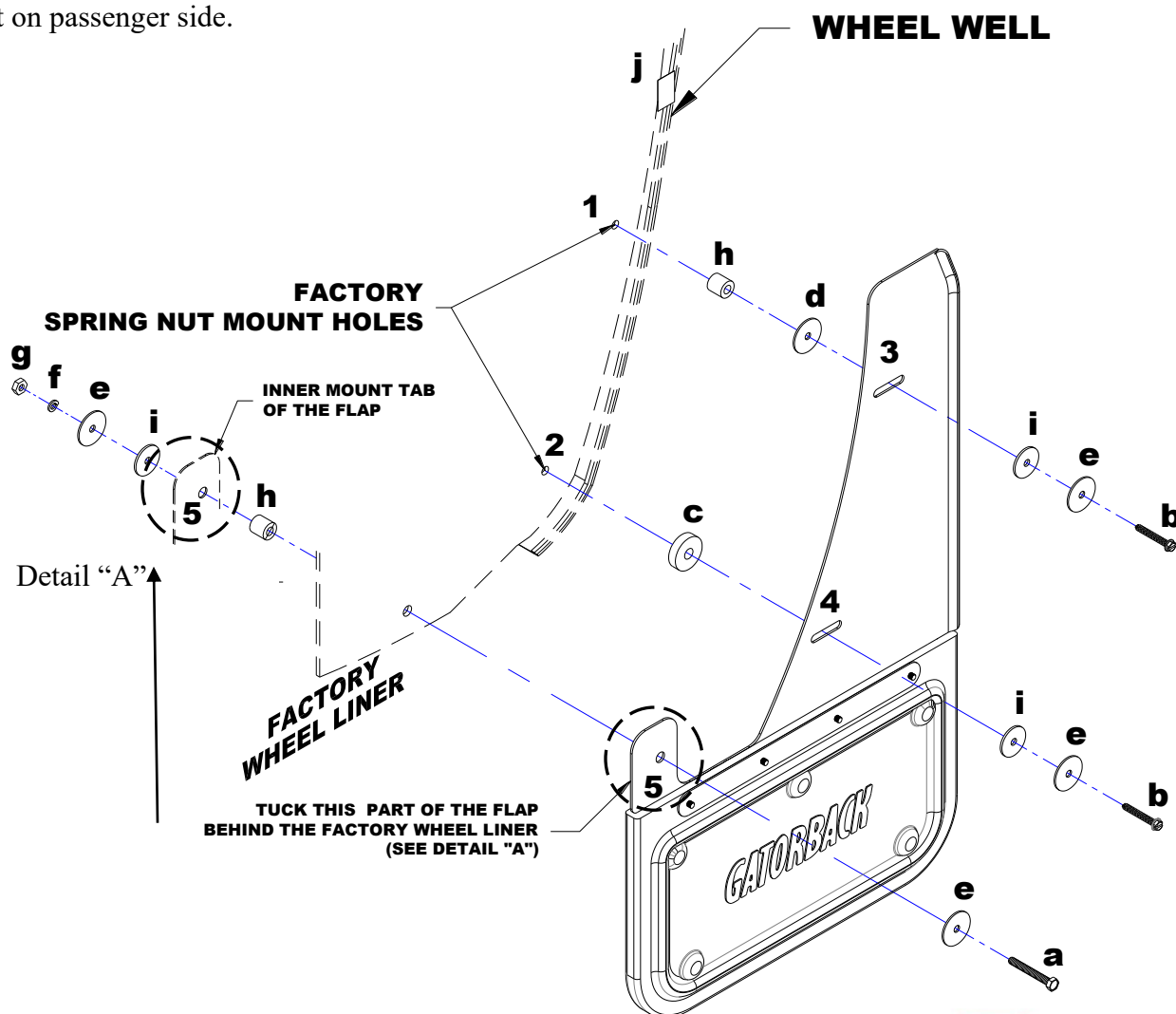


### PARTS BAG #770026



## INSTALLATION *(For ease of installation it is suggested that the wheel be removed)*

2. Before you install your Mud Flap Set, see the diagram and parts list for all necessary parts. Start on the driver's side.
2. Remove and discard the factory screws from factory holes #1 & #2. **\*\*Note\*\*** Some models may be equipped with a factory mud guard and filler strip. These must be removed prior to installing your Gatorback Mud Flaps.
3. Ensuring that the mud flap ear is tucked behind the factory liner, loosely install mud flap hole #4 to factory hole #2 using a sheet metal screw (b), flat washer (e), and nylon washer (i) placing a spacer washer (c) between the mud flap and the factory hole (See Diagram).
4. Clean upper section of wheel well with alcohol to prepare for 3M Durashield strip (j). Hold the flap to the vehicle, lining up mud flap hole #3 with factory holes #1. Make a small mark on the place where the top of the mud flap meets the fender lip.
5. Install/center the 3M Durashield strip (j) where you have marked the wheel well.
6. Loosely install mud flap hole #3 to factory hole #1 using a sheet metal screw (b), flat washer (e), and nylon washer (i) placing a flat washer (d) and nylon spacer (h) between the mud flap and the factory hole. (See Diagram)
7. Using a bubble level or other levelling tool, ensure that the mud flap is level. Tighten fasteners
8. Using a 1/4" drill bit, drill a hole through mud flap hole #5 into the factory liner.
9. Secure mud flap hole #5 to newly drilled hole using a machine screw (a) and flat washer (e), place a nylon spacer (h) between the liner and the mud flap, and secure using a nylon washer (i) flat washer (e), lock washer (f), and hex nut (g). (See Diagram)
10. Repeat on passenger side.



Please check out our YouTube channel to see an install video for this application.

