



B&W Trailer Hitches
 1216 Hawaii Road / PO Box 186
 Humboldt, KS 66748
 620.473.3664
 800.248.6564
 Fax: 620.473.3766

hitches@turnoverball.com
 www.turnoverball.com

Turnoverball™
Gooseneck Hitch
Installation Instructions

Call or Email us for Installation Support

NOTE: We recommend reading instructions before beginning the installation.

WARNING: The tow vehicle's towing capacities should under NO circumstances be exceeded.

Model 1000R

Chevrolet & GMC (1988 - 1998)

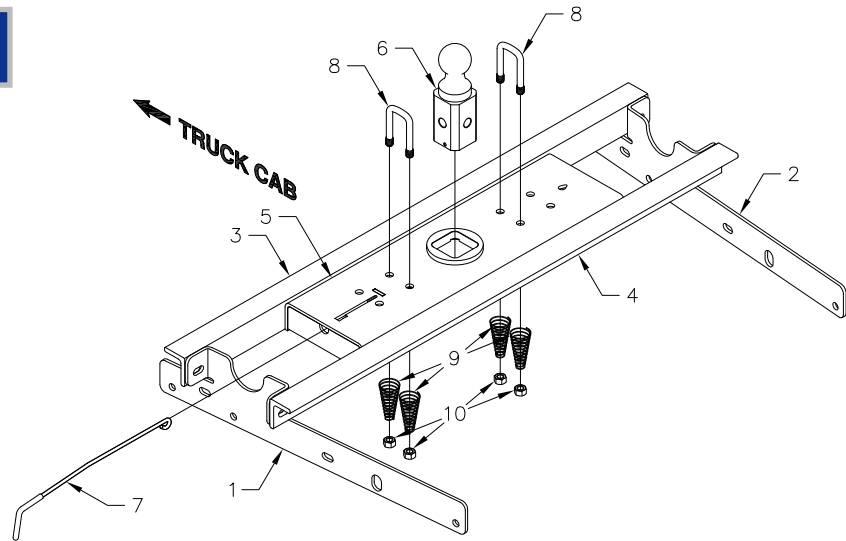
1/2 3/4 & 1 Ton, Long Bed Trucks

Chevrolet & GMC (1999 - 2000)

3/4 & 1 Ton Heavy Duty Long Bed Trucks
 (Old Body Style)

Mounting Kit Box (GNRM1000)		
ITEM	DESCRIPTION	QTY
1	Driver Side Plate	1
2	Passenger Side plate	1
3	Front Crossmember	1
4	Rear Crossmember	1

Mounting Kit Bolt Bag		
ITEM	DESCRIPTION	QTY
	1/2" X 1-1/2" Cap Screw	14
	1/2" Flat Washer	28
	1/2" Lock Washer	14
	1/2" Finish Nut	14



Center Box (GNRC800)			Safety Chain Kit Bolt Bag		
ITEM	DESCRIPTION	QTY	8	1/2" U-Bolt	2
5	Center Section	1	9	Conical Springs	4
6	2-5/16" Ball	1	10	1/2" Lock Nut	4
7	Latch pin Handle	1		5/16" X 3/4" Carriage Bolt	1
				5/16" X 3/4" Cap Screw	1
				5/16" Lock Nut	1

NOTICE: This product was designed to fit vehicles in their original, "as manufactured" condition. Compatibility with vehicles having replacement parts, or other modifications is not guaranteed. Inspect vehicle for modifications before installation of this product.

BEFORE INSTALLING OVERHEAD LIFTING DEVICE

An overhead-lifting device, such as chain falls, engine hoist, or cable come-a-long, can be used to lift the center section of the hitch in place. Lower a loop of rope or chain through the 4" hole in the truck bed floor and attach it to the latch pin in the round hitch receiver tube in the center section. Use the lifting device to raise the center section until the round hitch receiver tube that protrudes from the center section fits in the 4" hole in the truck bed floor. Maintaining upward pressure may facilitate fastening the crossmember to the center section, especially if the truck bed floor has been distorted downward from heavy use. If you use an overhead-lifting device, it should be disconnected before squaring the center section across the frame, installing the sideplates and torquing fasteners.

WARNING

Most trucks have FUEL LINES and/or BRAKE LINES and/or ELECTRICAL WIRES located along the frame rails where B&W Turnoverball™ hitches install. Carefully examine the location of fuel lines, brake lines and electrical wires BEFORE INSTALLATION. Be certain you will not damage fuel lines, brake lines or electrical wires when positioning hitch components, drilling holes, tightening fasteners, and lifting and lowering the truck bed. The fuel tank vent, located on top of the gas tank, can be easily damaged during the installation of the hitch components. Care must be taken when positioning the front crossmember and center section components.

Warning

On Short bed trucks, BEFORE INSTALLING THIS HITCH, check for adequate turning clearance between the front of all of your trailers and the truck cab.

Warning

DO NOT invert the ball in the socket when carrying heavy loads on 2 wheel drive trucks. The ball may hit the top of the differential. Remove the ball from the socket before loading. A plug for the socket is available from B & W.

INSTALLATION INSTRUCTIONS

STEP ONE

Begin by verifying and measuring the correct hole location in the truck bed floor. Measure from the back end (tail gate end) of the truck bed floor by hooking a tape measure over the back of the sheet metal and marking the floor at the **49 1/2"**. Center the measurement between the fender wheel wells. This location is critical to the correct installation of this hitch, so measure, mark and saw carefully. If the truck has a plastic bed liner, you may drill through both, but it is more difficult to accurately locate the midpoint between the fender wheel wells, and to be sure that the bed liner does not move while sawing the hole. Make a 4-inch hole at this location using a four inch hole saw, or by marking a 4 inch circle and cutting it out with a sabersaw equipped with a metal cutting blade.

STEP TWO

Select the front cross member. This is the longer of the two cross members. With the horizontal side up and the slotted side facing the rear of the truck, position it across the top of the frame rails, between the bed and the frame, by pushing it through the opening in the wheel well. Place the rear cross member behind the first with the horizontal side up and the slotted side facing the front of the truck. With the two cross members approximately parallel, position them about 9" apart, equally spaced in front and behind the hole in the truck bed floor, with the ends extended 2" over the frame rails.

STEP THREE

Install the side plates by aligning two of the lower holes in the side plate with existing holes in the truck frame rails and fasten into place using two 1/2"x 1 1/2" bolts with a flat washer on each side and a lock washer and nut on each. Hand tighten bolts. When installing the driver's side side plate, you may have to pull the brake line down to accommodate the bolts. Bolts should be inserted from the inside. Fasten the front cross member to the side plates using 1/2" x 1 1/2" bolts.

STEP FOUR

With the latch pin mechanism on the driver's side, raise the center section of the hitch into position against the front cross member from beneath the truck. The round tube hitch receiver that protrudes from the center section must fit through the hole in the truck bed floor. Fasten the center section to the front cross member using three 1/2" x 1 1/2" bolts. Move the rear cross member into place against the center section and fasten using three 1/2" x 1 1/2" bolts. With the cross members, side plates and center section installed, torque all fasteners to 90- ft. lbs. In the following sequence: First torque the side plates to the frame. Second, torque the cross members to the side plates. Third, torque the center section to the cross members.

STEP FIVE

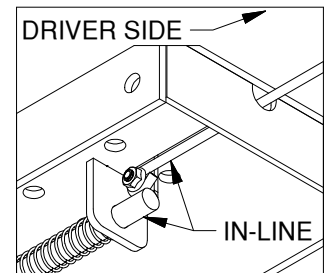
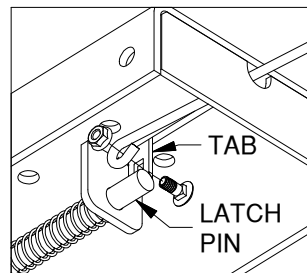
To install the safety chain brackets, it is necessary to drill four 1/2" holes through the truck bed floor. Drill the holes from beneath the truck, through the 4 holes nearest the round hitch receiver tube in the center section. This will locate the safety chain brackets in the valley section of the bed floor. Drop a U-bolt through each pair of holes from the topside of the truck bed floor. Place a spring and lock nut on each of the four legs and tighten the lock nuts until 1/4" of the thread extends through the lock nut.



STEP SIX – INSTALL LATCH PIN RELEASE HANDLE

WARNING: LATCH PIN WILL NOT FUNCTION PROPERLY IF HANDLE IS NOT INSTALLED CORRECTLY.

Install the latch pin release handle by inserting it through the slot in the end of the center section on the driver's side of the truck. Align the handle eyelet with the square hole in the latch pin so the handle is in line with the latch pin as shown. Secure the handle to the pin with the 5/16 X 3/4" carriage bolt and 5/16" locking flange nut as shown. Note: The included 5/16" cap screw can replace the carriage bolt if wrench access on the "cab side" of the handle is limited. Tighten the nut until it is secure. Do not over-tighten and deform the handle eyelet.



STEP SEVEN

Retract the latch pin by pulling the handle out until it stops and then rotating to the lock out position. Place the 2-5/16" ball in the hitch receiver. Engage the latch pin by rotating the handle back to center. Be certain the latch pin passes through the holes in the 2-5/16" ball and fully engages through the hitch receiver. Repeat this process with the 2-5/16" ball in all eight positions. Grease the base of the 2-5/16" ball.