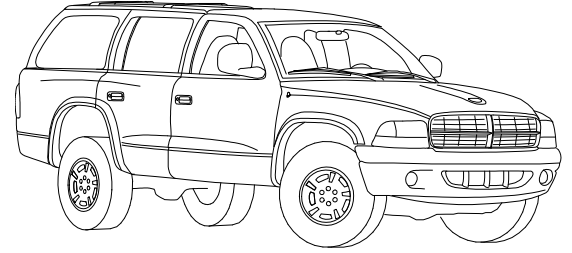




# INSTALLATION INSTRUCTIONS FOR Dodge Durango 51904(Set)

Extend-A-Fenders® 51013 & 51014 (pairs)



## TOOLS REQUIRED FOR INSTALLATION:

- Electric Drill
- #2 Phillips Driver Bit
- Pop Rivet Gun
- Jack and Jack Stands (Optional)
- 3/8" & 3/16" Drill Bits
- #1 Phillips Screw Driver
- Punch or Awl
- Utility Knife

### IMPORTANT: READ BEFORE BEGINNING INSTALLATION

**Verifying Fit** - Flares should be held to the vehicle surface to verify correct type and fit BEFORE beginning installation or painting. Small fit adjustments can be made by trimming (filing, sanding or scraping) excess plastic.

**Performance** - Using larger tires may increase the area required to turn the vehicle. Some Tire/Rim combinations may require lowering bump stops and/or installing steering stops to prevent tire shoulders from contacting flare.

**Exhaust System** - Modifications may be necessary to maintain a minimum 4" clearance between flares and exhaust pipes. Exhaust gases should not vent directly onto flares.

**DO NOT USE:** Loctite, SuperGlue, or similar products on the hardware or the flares.

## FLARE INSTALLATION PROCEDURES

### Step 1: Painting

It is recommended that painting (when desired) be done prior to installation.

- Sand (optional) before application of paint.
- Clean outer surface with a good grade degreaser. **Do not use** lacquer thinner or enamel reducer as a degreaser. Wipe outer surface thoroughly with a tack rag prior to painting.
- Paint flares using a high quality lacquer, enamel, or polyurethane automotive paint. Application of a primer coat is optional.
- Painting edge trim is not recommended.

### Step 2: Preparing the Work Area (Front and Rear)

- Depending on tire and wheel size, removal may make installation easier. Use jack and jack stands should you decide to remove tires and wheels.

### Step 3: Edge trim Installation

- Cut the rubber edge trim into two 28" pieces, two 52" pieces and two 60" pieces.
- Attach one 28" piece to each outer door part, one 52" piece to each rear main part, and one 60" piece to each front flare. (Peel two to three inches of red vinyl backing away from edge trim tape. Applying the adhesive side of the edge trim to the inner side of the flare, affix the edge trim to the top edge of the flare - the portion that comes in contact with the side of the vehicle. Press edge trim into place along the top edge of the flare in one-foot increments, pulling red vinyl

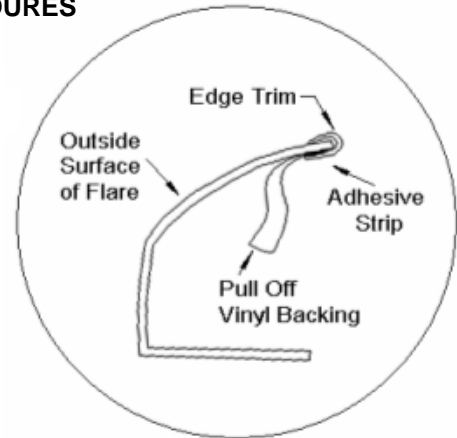


FIGURE 1

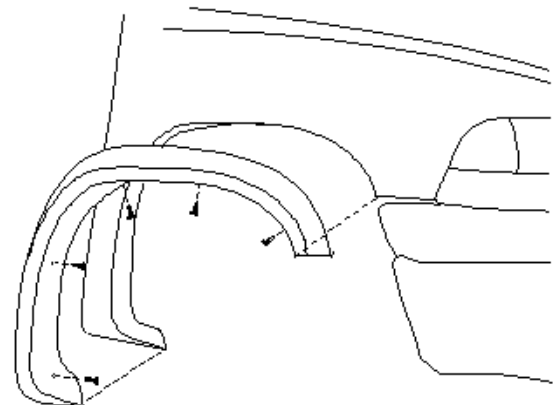


FIGURE 2

backing free as you continue to work your way around the top edge of the flare. Trim off excess with a utility knife. See FIGURE 1.)

**Step 4: Flare Installation (Front)**

- (A) Drill five 3/16" holes in the front flare using indents formed into the plastic as a guide. See FIGURE 2.
- (B) Starting at the top center hole, attach flare to vehicle, using drill-tip screws. **NOTE: Holes drilled in flare will line up with factory holes.** See FIGURE 2.

**Step 5: Flare Installation (Rear)**

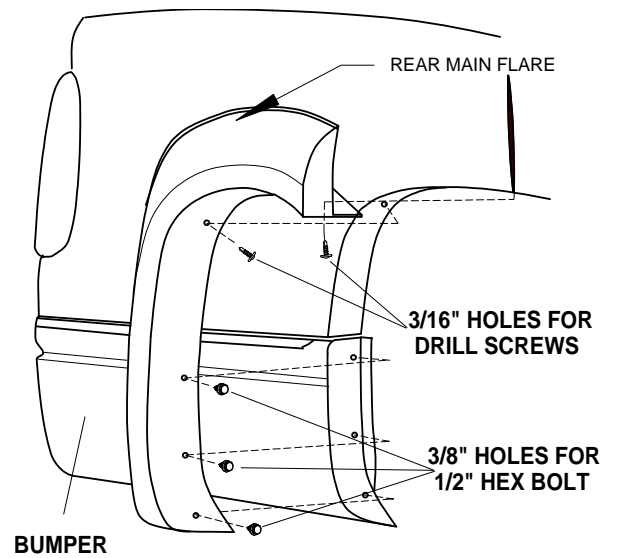
There are three parts to each rear flare assembly: the inner door part, the outer door part, and the rear main part.

**Main Part**

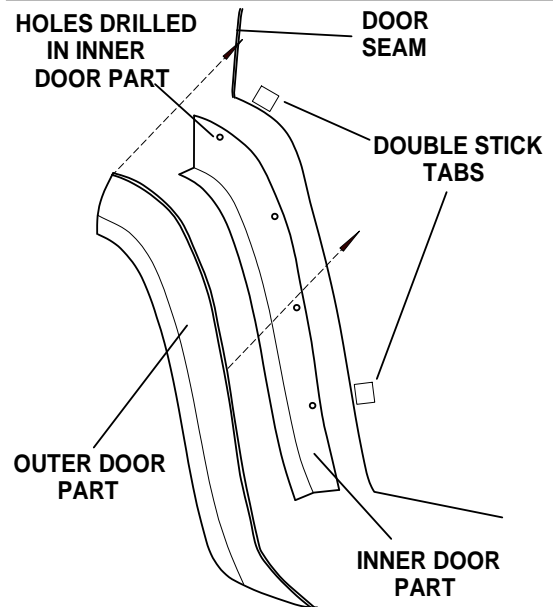
- (A) Remove the plastic rivets that hold the rear bumper cap in place by driving the center of the rivet through the head using a punch or a #1 Phillips screw driver. Discard (they will be replaced).
- (B) Drill three 3/8" holes in the rear main flare where it aligns with bumper using the lower three indents formed into the plastic as a guide. See FIGURE 3.
- (C) Drill two 3/16" holes in the flare using the top two indents in the plastic as a guide. See FIGURE 3.
- (D) Line up the holes in flare, bumper, and bumper mounting bracket using a punch or #1 Phillips screw driver. Fasten flare to bumper using supplied 1/2" hex head bolts. **DO NOT OVER TIGHTEN.** See FIGURE 3.
- (E) Align rear main flare with the door seam and wheel well and hold in position.
- (F) While applying slight pressure to the outside of the flare, fasten it to the vehicle with supplied drill screws using the holes in the flare as a guide.

**Door Part**

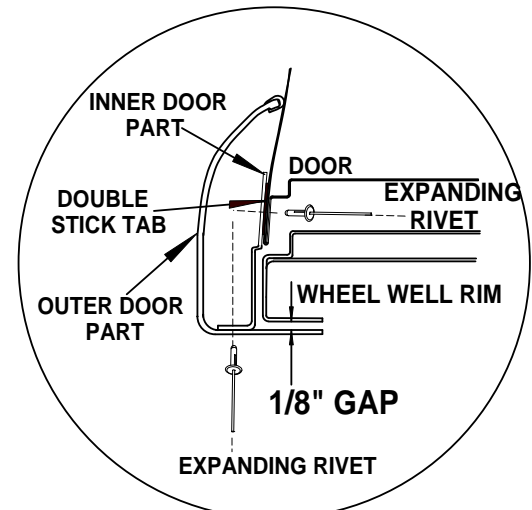
- (A) Drill four holes in each inner door part, and three holes in each outer door part with a 3/16" drill bit, using the indents in the parts as a guide. See FIGURE 4.
- (B) Apply two double stick tabs to the door at positions indicated in FIGURE 4. Stick the inner door part onto the door aligning it with the rear main part and the wheel well opening. See FIGURE 4.
- (C) Hold the outer door part onto the inner door part to confirm part to part and part to door seam alignment. Also confirm that there is a 1/8" gap between the outer door part and the wheel well opening. See FIGURE 5.
- (D) If necessary for proper fit, reposition the inner door part and repeat last step.
- (E) Remove outer door part. Open the rear door and drill four 3/16" holes through the door using the holes in the inner door part as a guide.
- (F) Secure the inner door piece to the door from the inside using four expanding rivets. See FIGURE 5.
- (G) Position outer door part on the inner door part leaving a gap of approximately 1/8" between wheel well rim and flare to allow for proper door operation. Using moderate pressure on outside surface of flare, drill three 3/16" holes through inner door part using holes in outer door part as guide. Secure with three expanding rivets. See FIGURE 5.



**FIGURE 3**



**FIGURE 4**



**FIGURE 5**